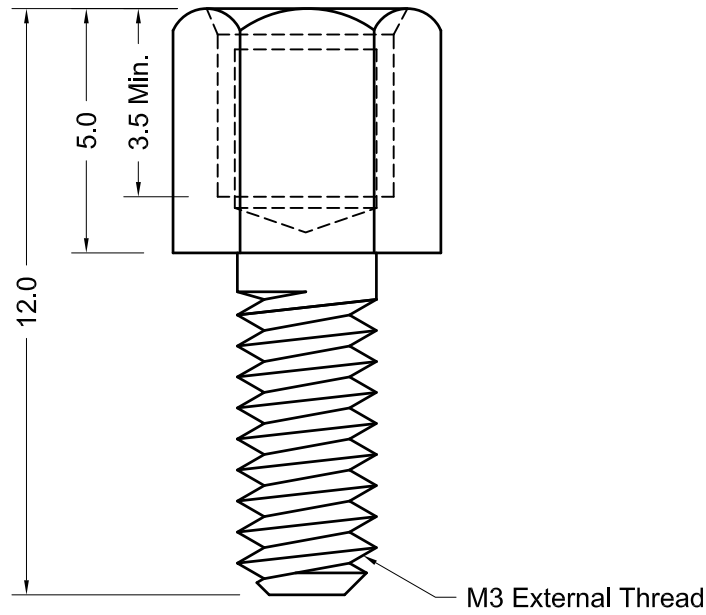
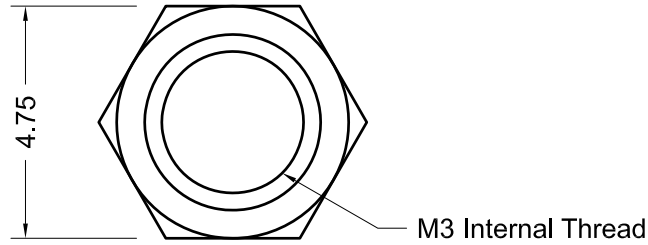


*Material and Finish*

Body: Brass

Finish: Nickel



**RoHS COMPLIANT**  
EU Directive 2002/95/EC

Tolerances
X.X ± 0.25
X.XX ± 0.15
Unless Stated
Otherwise

REV.	DATE	DESCRIPTION	REV. BY	CHK. BY	DRAWN BY	DATE
A1	06/19/07	New Drawing	A. Frederick	H. MA	A. Frederick	06/11/07
A2	06/11/18	ECO #18-028	G. Serrato	D. Shehan		

**JSX-M3131M**

Hex. Jack Screw, RoHS Compliant

M3 Female, M3 Male

