

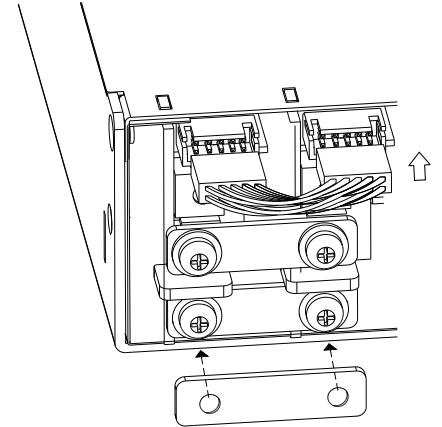


## **NMP-650 / 1K2 Accessory List**

# NMP Accessories

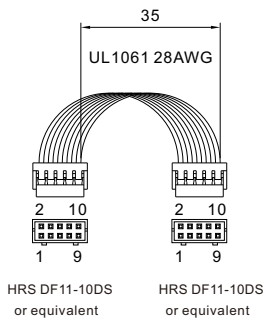
## A1.1 ±V Parallel Connection Accessories

Parallel Connection Accessory	
FAP-009 (For NMS-240, 2 units)	
FAP-010 (For NMS-240, 3 units)	

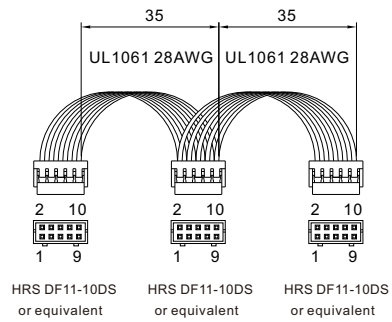


## A1.2 CN81 Parallel Connection Accessories

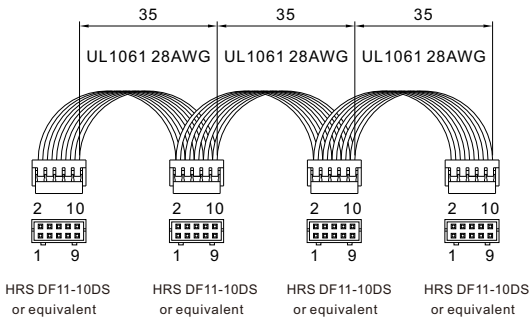
NMS-240-P2  
(For NMS-240, 2 units)



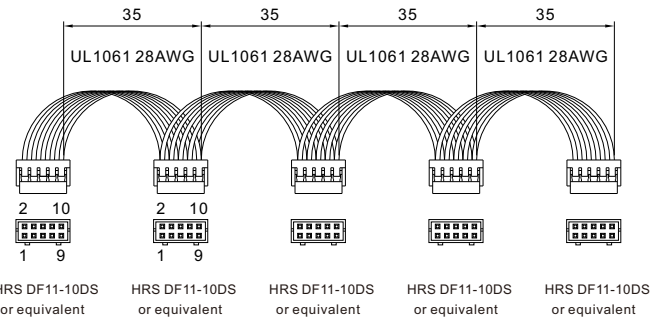
NMS-240-P3  
(For NMS-240, 3 units)



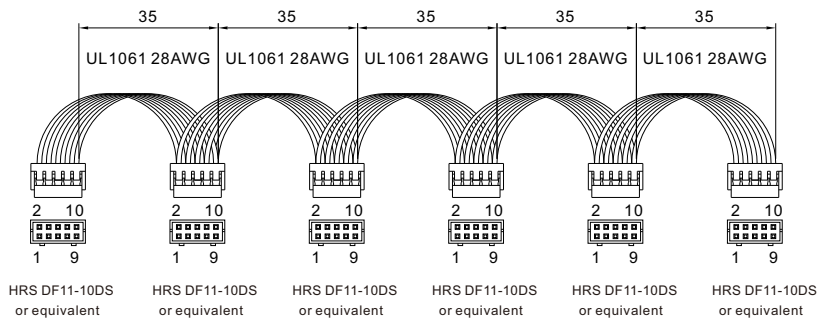
NMS-240-P4  
(For NMS-240, 4 units)



NMS-240-P5  
(For NMS-240, 5 units)

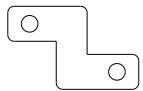


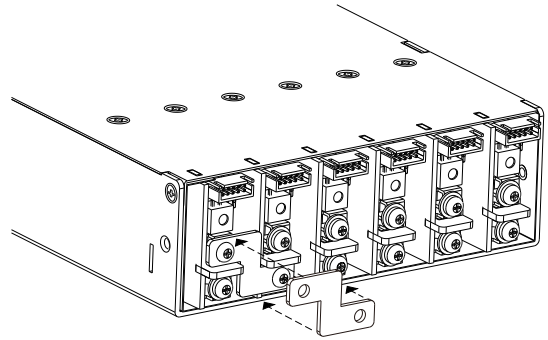
NMS-240-P6  
(For NMS-240, 6 units)



HRS DF11-10DS PIN NO.	1	2	3	4	5	6	7	8	9	10
Wire Color	Black GND	Black GND	Yellow RC2	Red VCC2	White DC-OK	Orange CS	Purple PC	Green PV	Blue +S	Brown -S

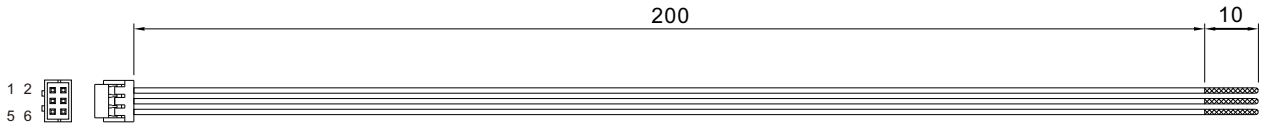
**A1.3 Series Connection Accessory**

Series Connection Accessory	
FAS-005 (For 1-slot modules:NMS-240)	



**A1.4 CN32 Accessory**

NMP-CN32



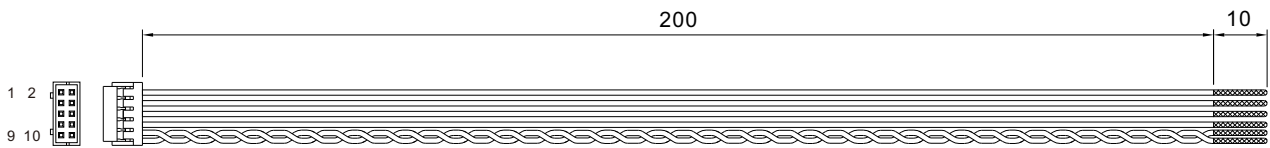
HRS DF11-06DS  
or equivalent

UL1007 24AWG

HRS DF11-06DS PIN NO.	1	2	3	4	5	6
Wire color	Red	Red	Black	Black	Blue	Gray
Assignment	+5V -AUX-P	+5V -AUX-P	GND-P	GND-P	RC1	T-Alarm

**A1.5 CN81 Accessory**

NMS-240-CN81



HRS DF11-10DS  
or equivalent

UL1007 24AWG

HRS DF11-10DS PIN NO.	1	2	3	4	5	6	7	8	9	10
Wire color	Black	Black	Yellow	Red	White	Orange	Purple	Green	Blue	Brown
Assignment	GND	GND	RC2	VCC2	DC-OK	CS	PC	PV	+S	-S

**A1.6 Blank Module**

Blank Module	
BLANK-NMS240	