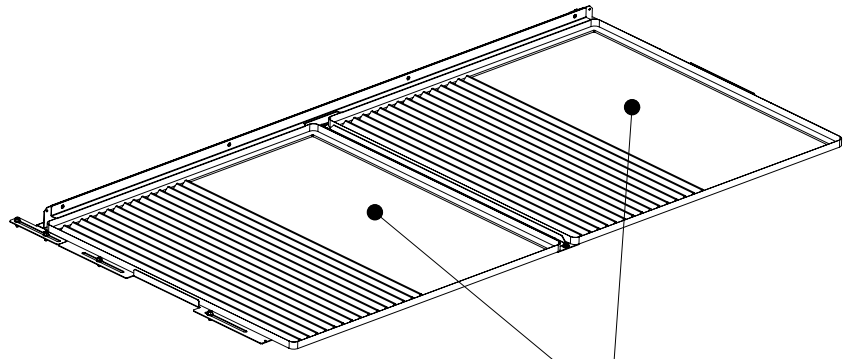
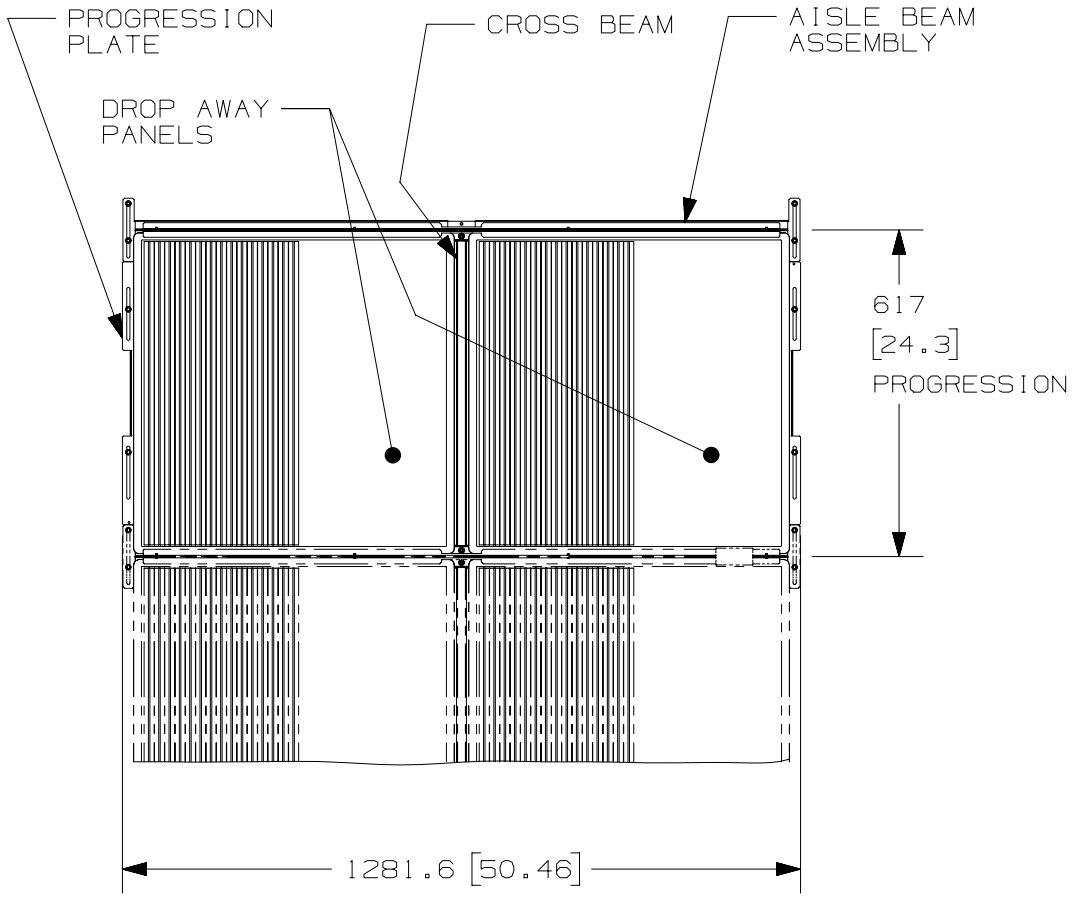


THIS COPY IS PROVIDED ON A RESTRICTED BASIS AND IS NOT TO BE USED IN ANY WAY DETRIMENTAL TO THE INTERESTS OF PANDUIT CORP.

PANDUIT P/N	DESCRIPTION	COLOR	WEIGHT
CUCGF04DPB1	CEILING GRID	BLACK	2.9 Kg/EACH [6.4 LBS/EACH]
CUCGF04DPW1	CEILING GRID	WHITE	2.9 Kg/EACH [6.4 LBS/EACH]

- VISIT OUR ON-LINE CATALOG AT WWW.PANDUIT.COM FOR A LIST OF CURRENT PARTS APPLICABLE FOR USE WITH THIS PRODUCT.
- PARTS SUPPLIED:
 2- DROP AWAY PANELS
 1- AISLE BEAM ASSEMBLY
 2- STOP/PROGRESSION PLATES
 1- CROSS BEAMS
 1- HARDWARE KIT
 1- INSTRUCTION SHEET
- PRIMARY DIMENSIONS ARE IN MILLIMETERS.
- DROP AWAY PANELS ARE FM APPROVED CLASS NUMBER 4651
- FOR USE WITH PANDUIT 1200mm WIDTH AISLE NET-CONTAIN UNIVERSAL AISLE CONTAINMENT (UAC) SYSTEM.
- ORDER ONE KIT PER 617mm OF POD LENGTH, ROUND UP ALL FRACTIONAL VALUES.
- SEE CUSTOMER DRAWINGS 00047NWD FOR RELATED COMPONENTS.



TITLE		DROP AWAY CEILING GRID - 1200mm (CUCGF04DP**)		CUSTOMER DRAWING	
ITEM REVISION NAME		00047NWC/00		PANDUIT	
DATASET FILE NAME		00047NWC_DC/00A			
				MATERIAL: N/A	
				DRAWING NUMBER: 00047NWC-DC	
DRAWN BY		DATE		THIRD ANGLE PROJECTION	
LEE		5-1-18			
CHK		SCALE		SHT 1 OF 1	
MSH		NONE		A	

D110100DA/16

00A	5-1-18	LEE	MSH	SJP	RELEASED TO PRODUCTION	V09001QD/01
REV	DATE	BY	CHK	APR	DESCRIPTION	ECN