

PART NAME

NEMA 4X DIE CAST ALUMINUM ENCLOSURE

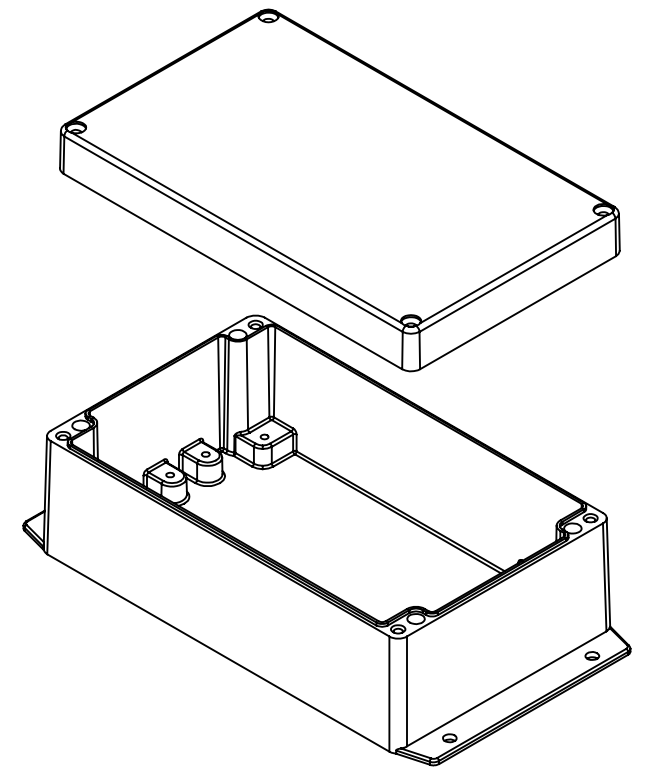
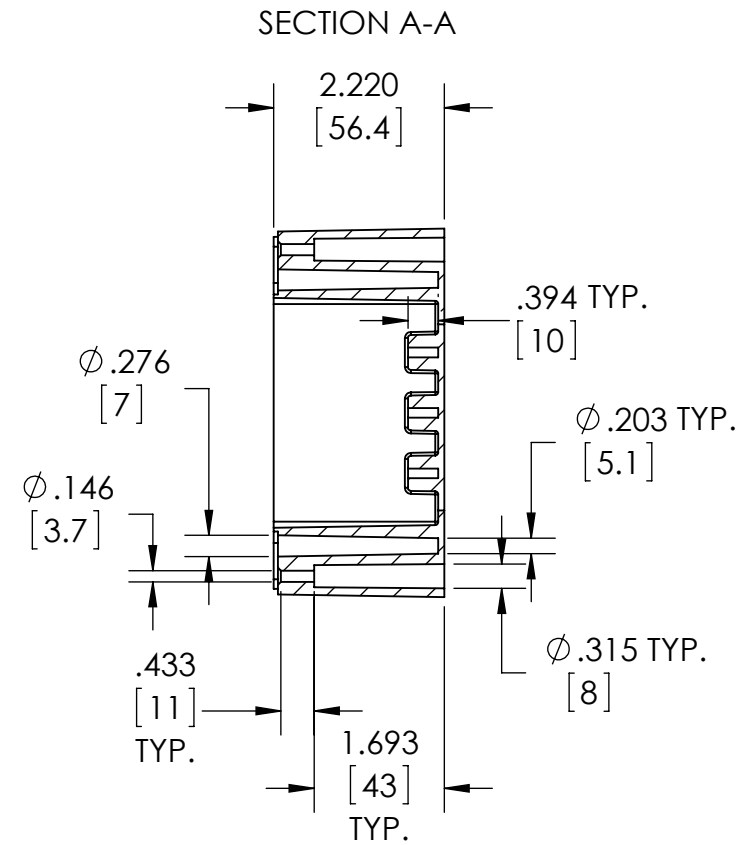
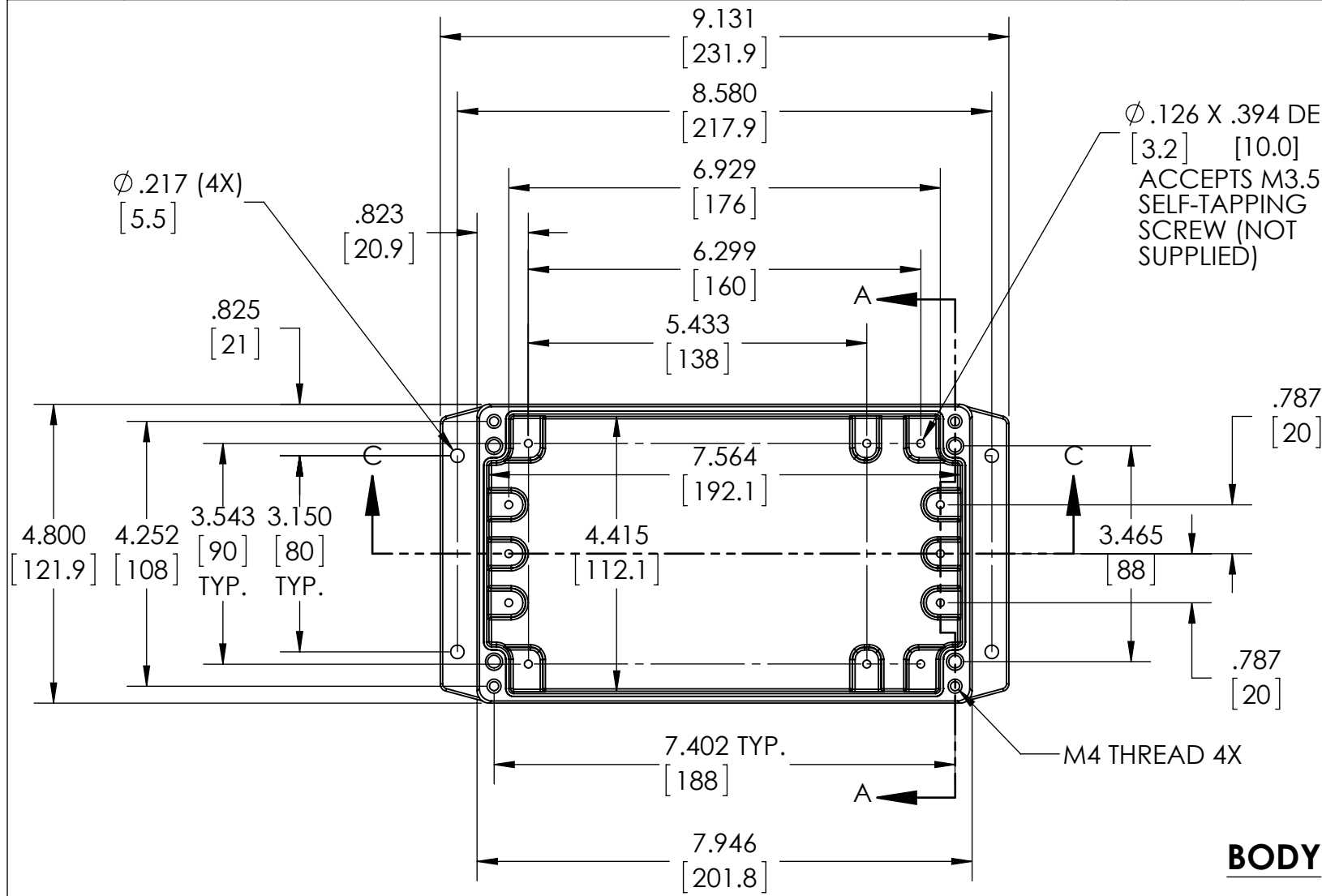
PART No.

AN-2872

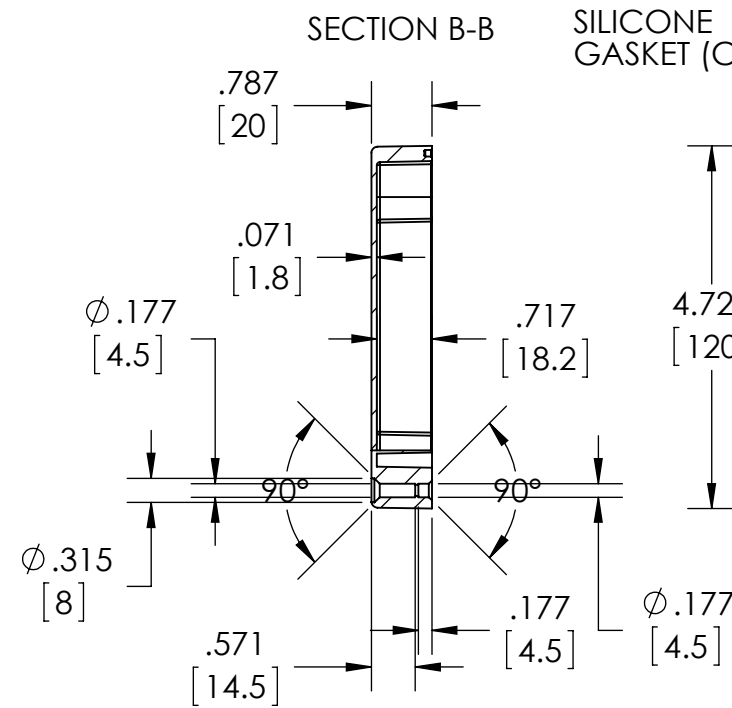
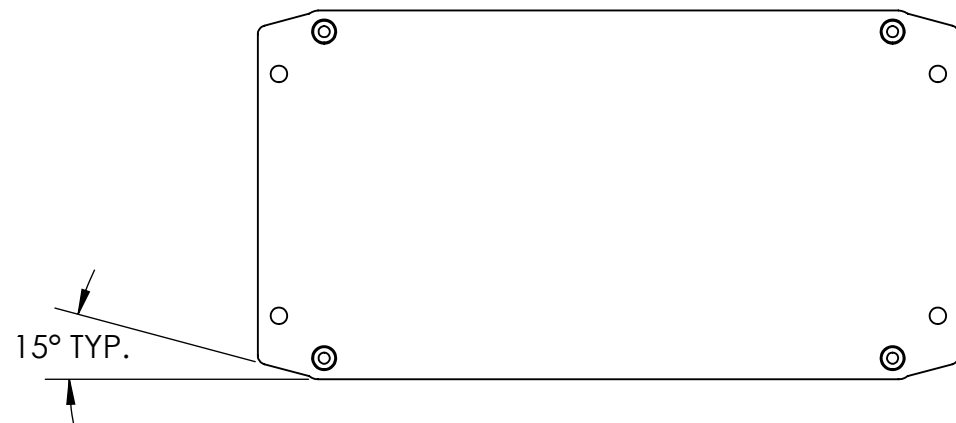
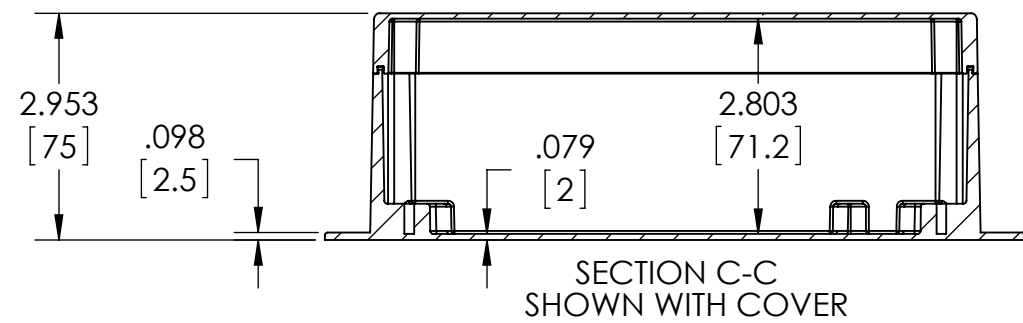
AN-2872-B

REVISION DATE

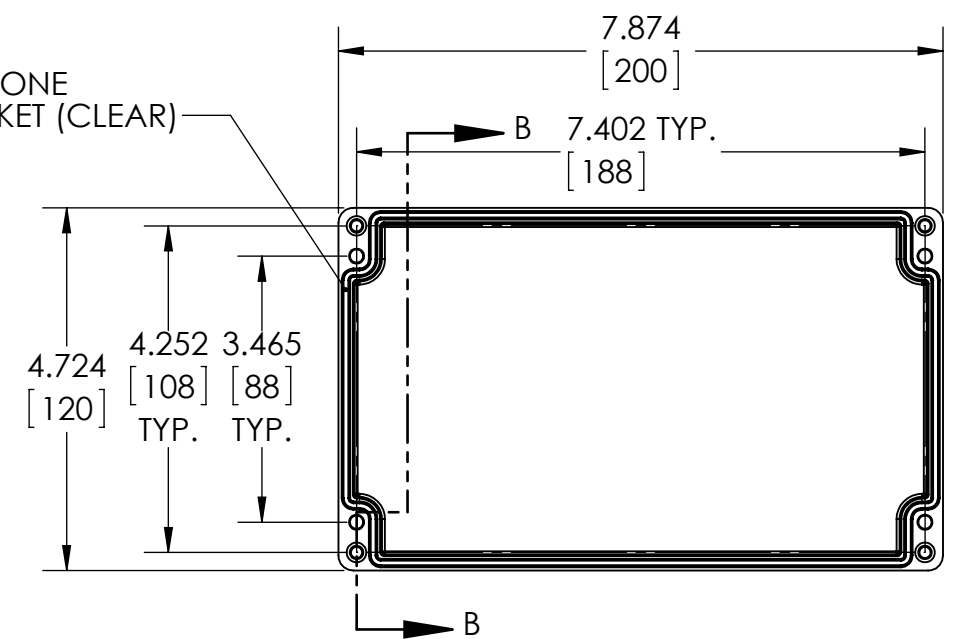
3-19-14



- NOTES:
- 1- MATERIAL: ALUMINUM ALLOY ADC-12
 - 2- FINISH: NATURAL (NO SUFFIX) BLACK (SUFFIX -B)
 - 3- FOUR (4) M4 X 0.7mm SCREWS SUPPLIED FOR ASSEMBLY OF COVER TO BODY
 - 4- ALL HOLE DIAMETERS HAVE $\pm .005$ [.12] TOLERANCE. ALL OTHER DIMENSIONS HAVE $\pm .015$ [.38] TOLERANCE.
 - 5- ALL OUTSIDE DRAFT ANGLE: 1° ALL INSIDE DRAFT ANGLE: $1/2^\circ$
 - 6- DIMENSIONS ARE INCH[MM]



SILICONE GASKET (CLEAR)



COVER