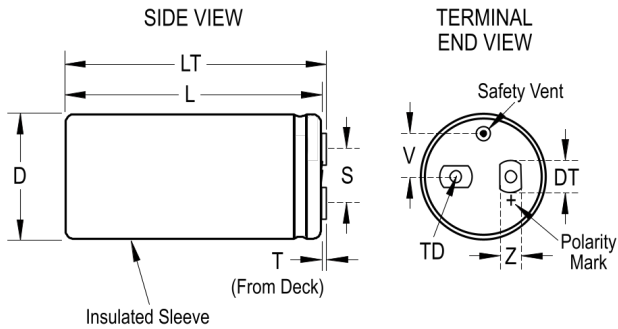


ALS80A432MF400

Aliases (A381PM432M400A)

ALS80, Aluminum Electrolytic, 4,300 uF, 20%, 400 VDC, -40/+105°C



Click [here](#) for the 3D model.

Dimensions

| | |
|----|-----------------|
| D | 66mm +/-1mm |
| L | 105mm +/-2mm |
| T | 5.5mm +/-0.5mm |
| S | 28.5mm +/-0.5mm |
| DT | 13mm +/-0.5mm |
| LT | 110.5mm +/-1mm |
| TD | 10mm MIN |
| V | 15.8mm NOM |
| Z | 10mm NOM |

Packaging Specifications

| | |
|-----------|------|
| Sleeving | Yes |
| Packaging | Tray |

General Information

| | |
|------------------|----------------------------------------------------------------------------------------------------|
| Series | ALS80 |
| Dielectric | Aluminum Electrolytic |
| Description | Screw Terminal, Aluminum Electrolytic |
| RoHS | Yes |
| AEC-Q200 | No |
| Halogen Free | Yes |
| Component Weight | 505 g |
| Notes | Dimensions D And L Include Sleeving. MS (MxH) = M12x16. Mounting Clamp (Sold Separately): V10/2738 |
| Shelf Life | 156 Weeks |

Specifications

| | |
|-----------------------|----------------------------------------------------------------------------------------|
| Capacitance | 4,300 uF |
| Capacitance Tolerance | 20% |
| Voltage DC | 400 VDC, 440 VDC (Surge) |
| Temperature Range | -40/+105°C |
| Rated Temperature | 105°C |
| Life | 8000 Hrs (Rated Voltage And Ripple Current At 105C), 13000 Hrs (Rated Voltage At 105C) |
| Resistance | 38 mOhms (100Hz 20C), 22 mOhms (10kHz 20C) |
| Ripple Current | 11.6 Amps (100Hz 105C), 19.8 Amps (10 kHz 105C) |
| Leakage Current | 5160 uA |