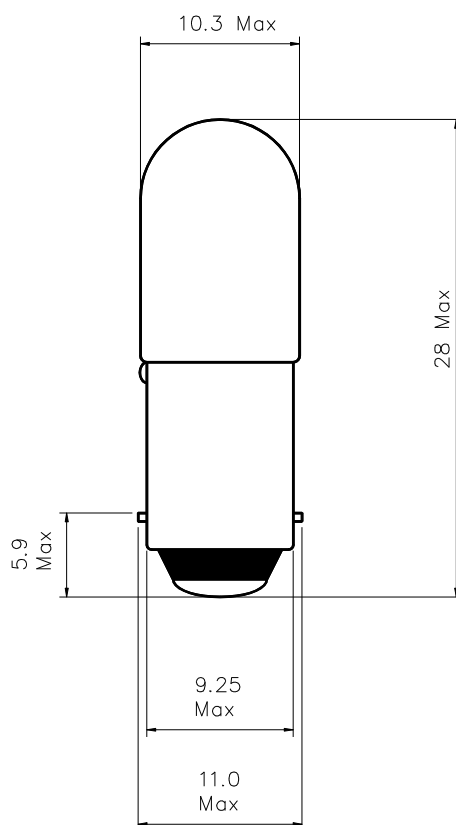


Part Number:

949

Type	Size	Rating	Description
Incandescent	T10	130V 22mA	T-3¼ Miniature Bayonet Lamp



Dimensions in millimetres

TEST VOLTS	CURRENT (mA)			LIGHT OUTPUT (Lm)			LIFE Hours
	Min.	Nom.	Max.	Min.	Nom.	Max.	
130	19.8	22.0	24.2	3.75	5.00	6.25	2,000

Notes:

- 1 **Base Type** BA9s/13
- 2 **Filament Shape** 2 x CC-2F
LCL 16 nominal
- 3 **Lamp Marking** CML949
- 4 **Bead Colour** Clear
- 5 **Environmental** RoHS & REACH SVHC compliant