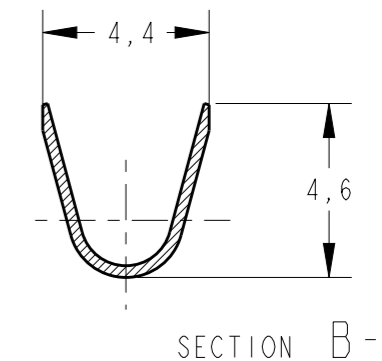
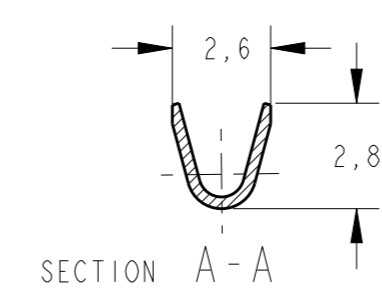
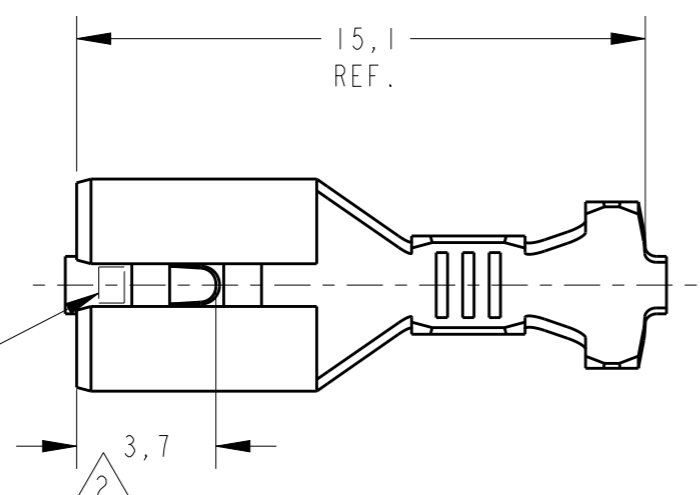


THIS DRAWING IS UNPUBLISHED. RELEASED FOR PUBLICATION 20
 © COPYRIGHT 20 BY - ALL RIGHTS RESERVED.

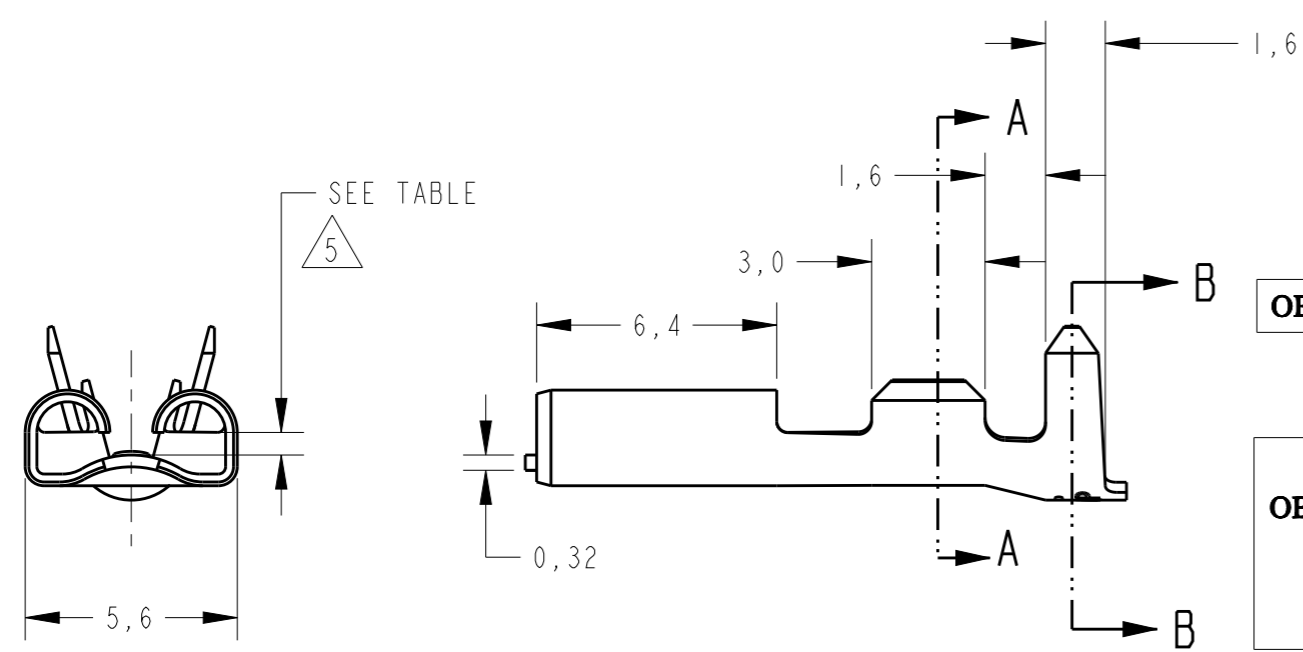
REVISIONS

P	LTR	DESCRIPTION	DATE	DWN	APVD
	J	REV. BY ECO 17-008400	23JUN2017	HC	WLS



5 TAB THICKNESS
GAP SIZE MARKING

- 1 -PEÇA SOLTA - VER DESENHO 444201.
LOOSE PIECE - SEE DRAWING 444201.
- 2 -LOCALIZAÇÃO DO DIMPLE - 3,0mm PARA O PN 1-881623-0
DIMPLE LOCATION 3,0mm. FOR PN 1-881623-0.
- 3 -OBSOLETE PARTS:OBSOLETE CIS STREAMLINING PER D.RENAUD/D.SINISI
- 4 -HEAT TREATMENT.



5	FOR TAB THICKNESS	FINISH	MATERIAL	PART NUMBER
	0,5	—	LATÃO/BRASS	4 1-881623-1
OBSOLETE	0,8	—	LATÃO/BRASS	2 1-881623-0
	0,5	ESTANHADO/TIN PLATED	LATÃO/BRASS	1 881623-9
	0,5	—	LATÃO/BRASS	1 881623-8
OBSOLETE	OBSOLETE	ESTANHADO/TIN PLATED	LATÃO/BRASS	881623-7
OBSOLETE	OBSOLETE	—	LATÃO/BRASS	881623-6
3	0,8	NIQUELADO/NICKEL PLATED	AÇO/STEEL	881623-5
	0,8	—	AÇO/STEEL	881623-4
	0,8	ESTANHADO/TIN PLATED	BRONZE/PH.BRONZE	881623-3
	0,8	ESTANHADO/TIN PLATED	LATÃO/BRASS	1 881623-2
	0,8	—	LATÃO/BRASS	1 881623-1

INSERTION AND EXTRACTION REQUIREMENTS	1st ON (N)MAX	1st OFF (N)MIN	6th ON (N)MIN
	46	28	15

THIS DRAWING IS A CONTROLLED DOCUMENT.

DIMENSIONS: mm	TOLERANCES UNLESS OTHERWISE SPECIFIED: 0 PLC ± 1 PLC ±0,3 2 PLC ± 3 PLC ± 4 PLC ± ANGLES ±1°
MATERIAL SEE TABLE	FINISH SEE TABLE

DWN H.C.CANTER	20JUN2017
CHK W.L.STEFANI	26JUN2017
APVD	-
PRODUCT SPEC	-
APPLICATION SPEC	-
WEIGHT	-
CUSTOMER DRAWING	

STE TE Connectivity			
NAME .187 SERIES FASTON REC.			
SIZE A3	CAGE CODE -	DRAWING NO C-881623	RESTRICTED TO -
SCALE 5/1		SHEET 1 OF 1	REV J

Ø 2,0-3,3mm.	0,5-1,0mm ²
INS. RANGE	WIRE RANGE