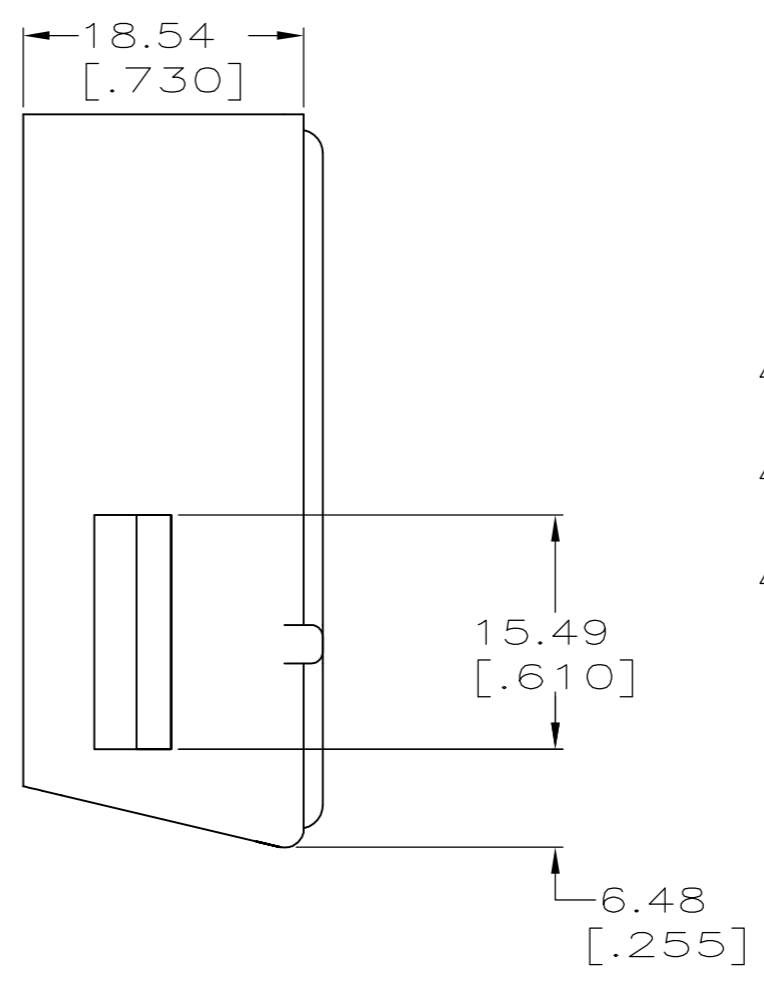
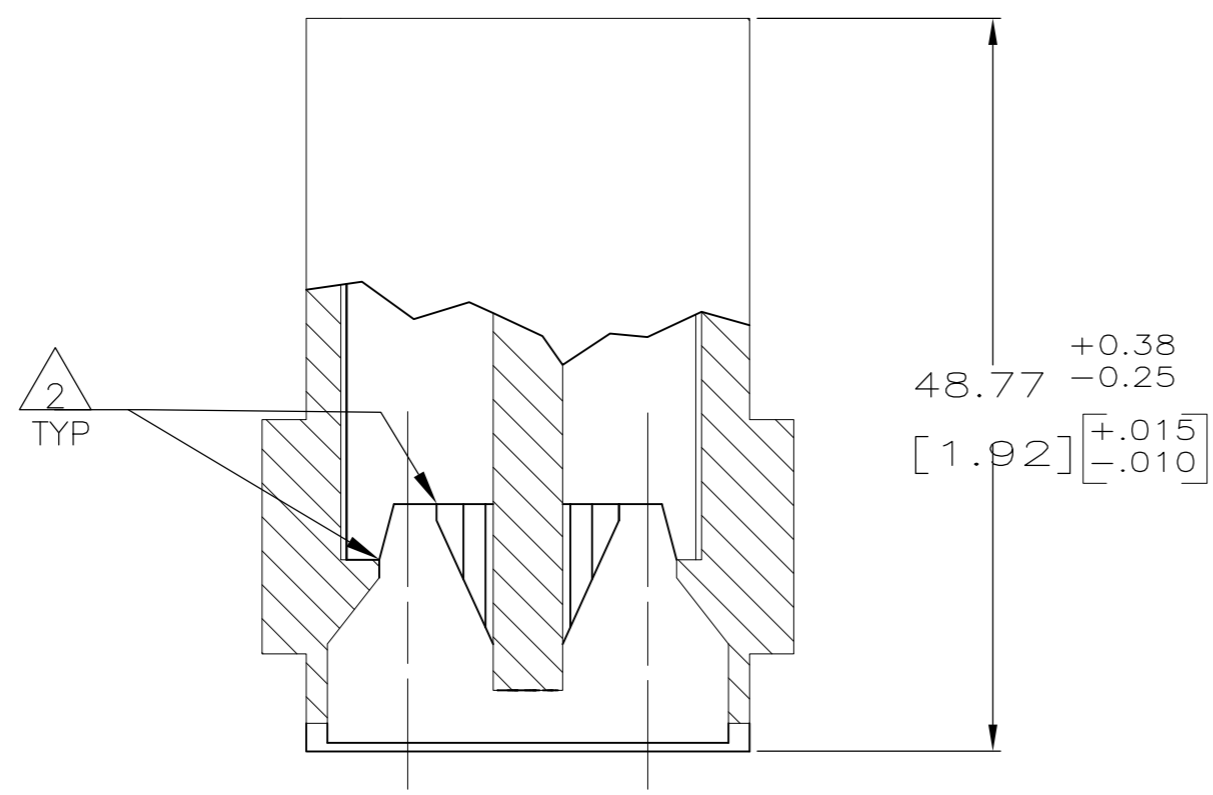
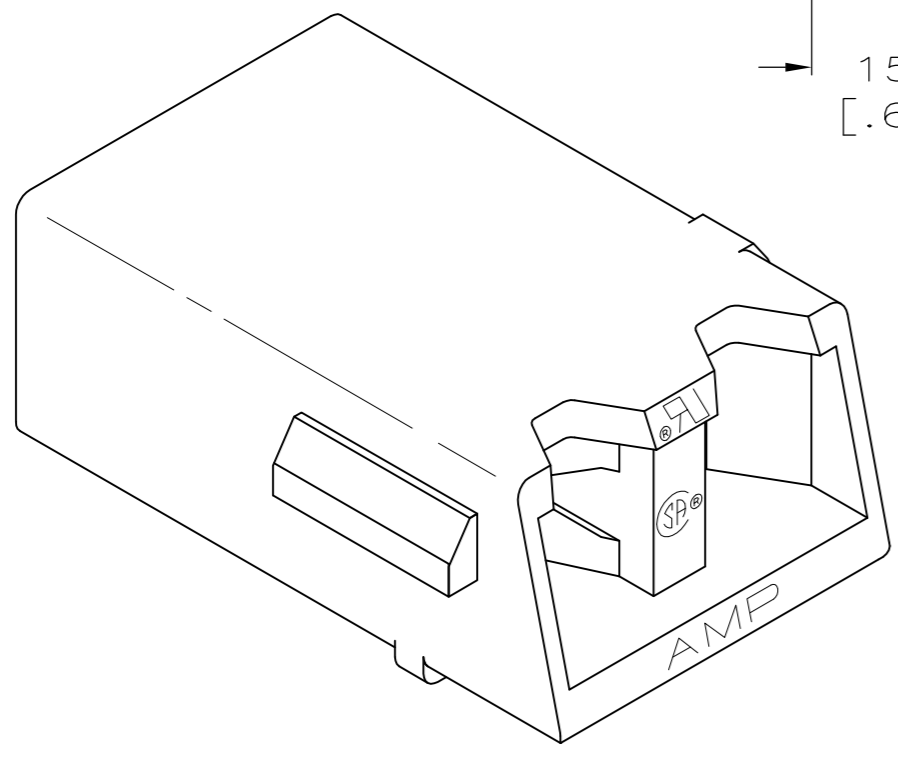
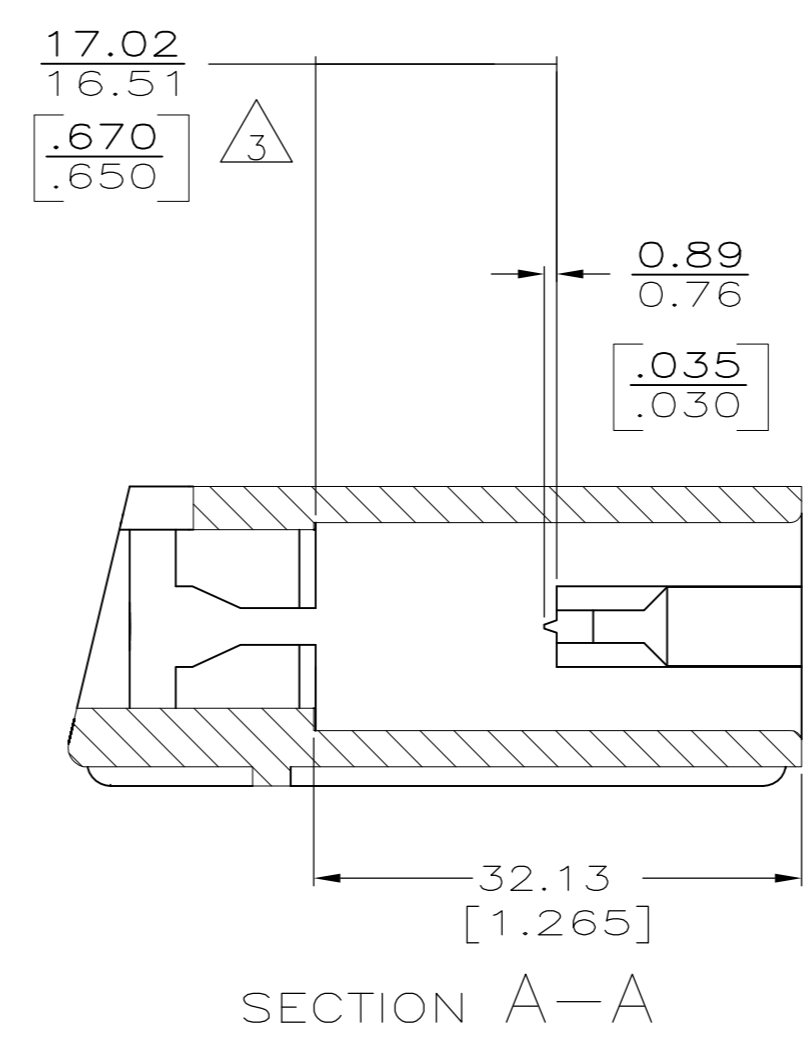
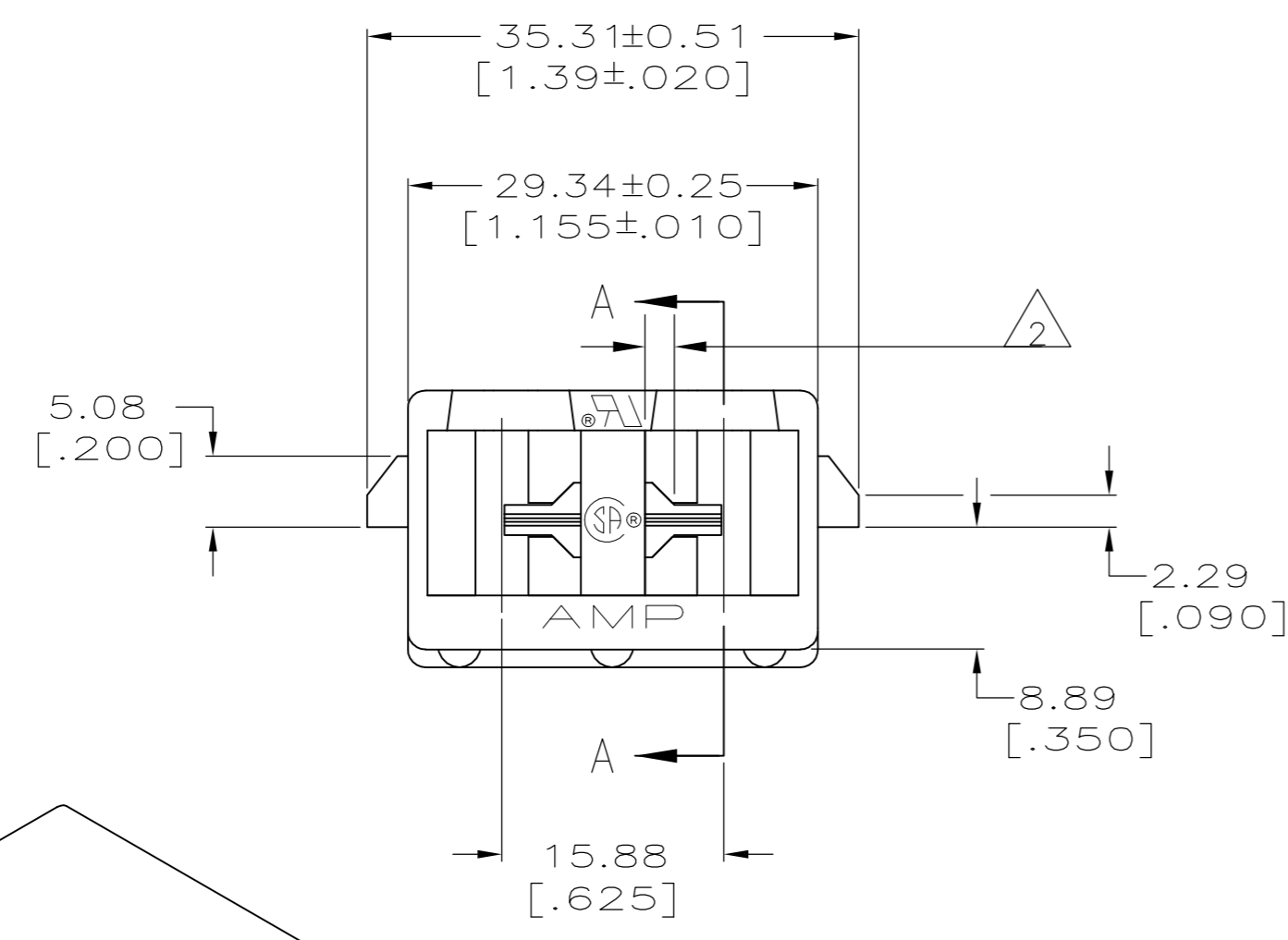


THIS DRAWING IS UNPUBLISHED. RELEASED FOR PUBLICATION
 © COPYRIGHT BY TYCO ELECTRONICS CORPORATION. ALL RIGHTS RESERVED.

LOC	DIST	REVISIONS			
P	LTR	DESCRIPTION	DATE	DWN	APVD
AF	50	E	REV PER 0G3A-0790-04	07OCT04	JR DD
		E1	REVISED PER ECR-15-017388	08DEC15	JJ TD



1. ACCEPTS CONTACT 640748.
- 2 .025 MAX INTERNAL FLASH PERMITTED IN AREA INDICATED.
- 3 .090 MAX FLASH PERMITTED ALONG 45° SHUTOFF SURFACE WITHIN .670/.650 LENGTH.
- 4 SUPERSEDED BY 770524-1.



3-DIMENSIONAL MODEL NTS

4 OBSOLETE -770500-1
 PART NO.

THIS DRAWING IS A CONTROLLED DOCUMENT.		DWN P FORTNEY 10-22-90	Tyco Electronics Corporation Harrisburg, Pa 17105-3608
DIMENSIONS: MM [INCHES]		CHK JR RUTH 10-22-90	
TOLERANCES UNLESS OTHERWISE SPECIFIED:		APVD K SHANK 10-22-90	NAME HOUSING, 2 CIRCUIT, HEAVY DUTY BURNER
0 PLC ± -		PRODUCT SPEC	SIZE CAGE CODE DRAWING NO RESTRICTED TO
1 PLC ± -		APPLICATION SPEC	A2 00779 C-770500
2 PLC ± 0.25 [.010]		WEIGHT -	SCALE 2:1 SHEET 1 OF 1 REV E1
3 PLC ± -		MATERIAL PHENOLIC	
4 PLC ± -		FINISH BLACK	
ANGLES ± -		CUSTOMER DRAWING	