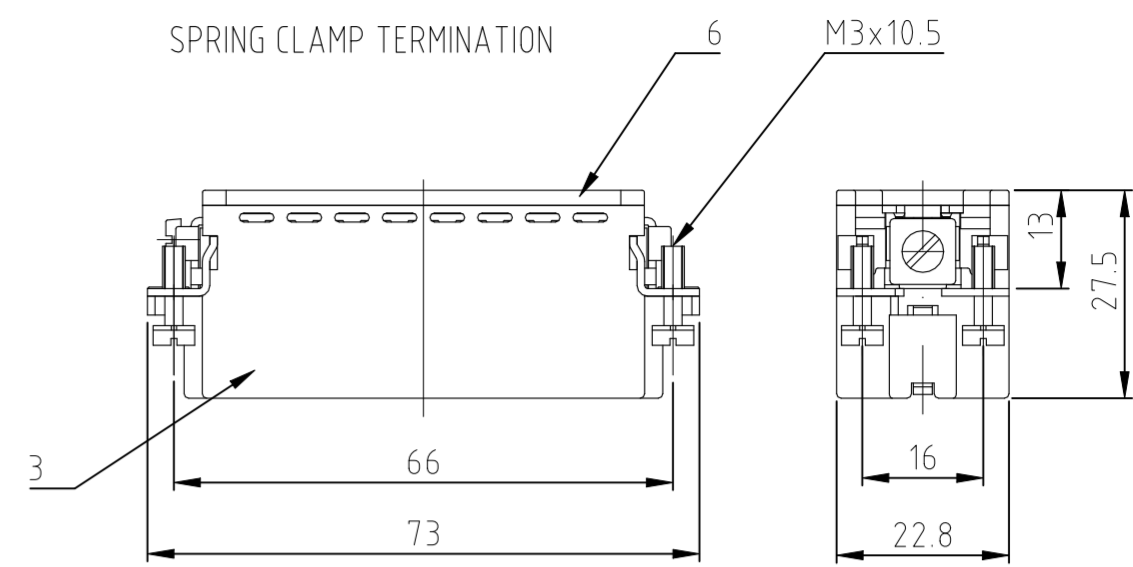
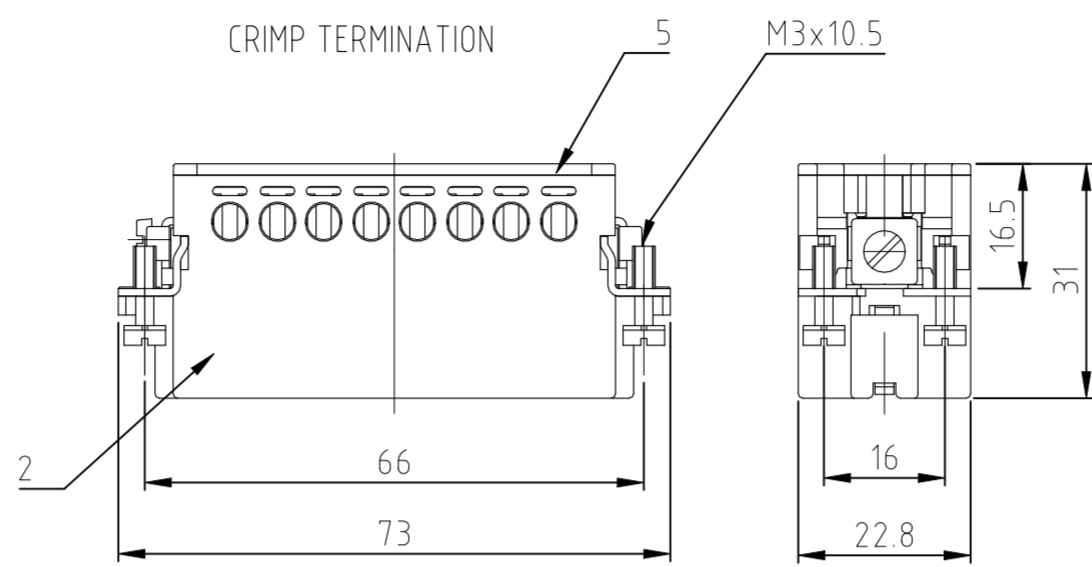
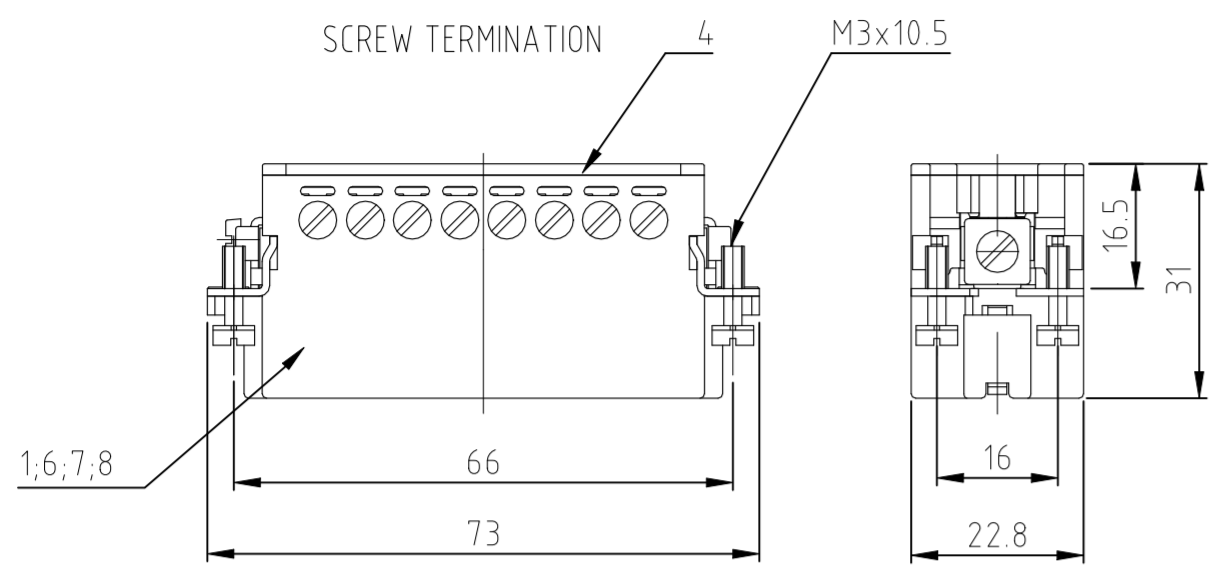
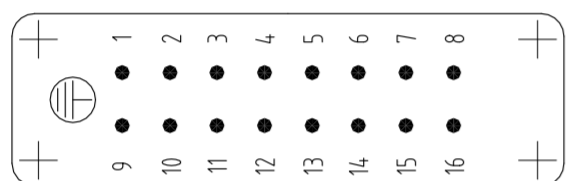


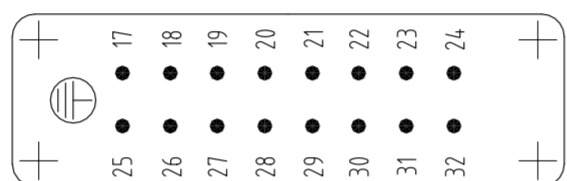
REVISIONS AENDERUNGEN				
P	LTR	DESCRIPTION	DATE	APVD
	D7	ECR-21-123577	08JUL2022	RK JB



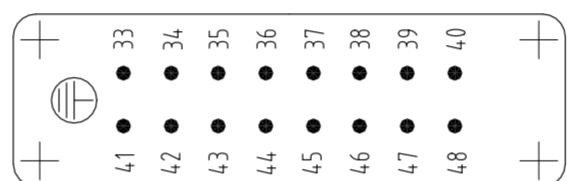
Contact arrangement / view from termination side



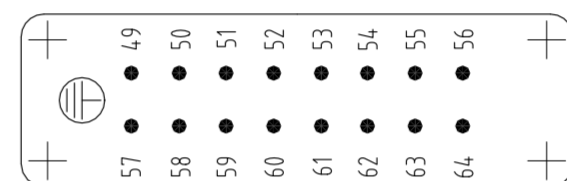
Contact arrangement / view from termination side



Contact arrangement / view from termination side



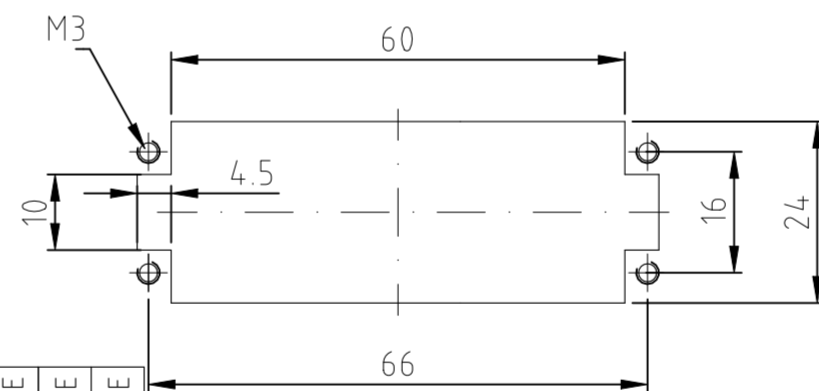
Contact arrangement / view from termination side



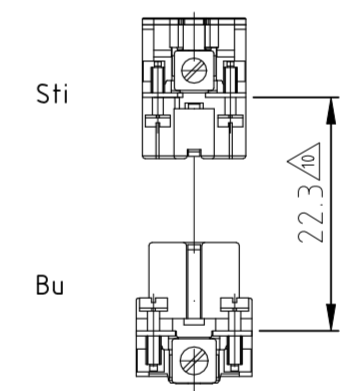
NOTES:

- 1 SUITABLE CRIMP CONTACTS: SERIES HE/HA
OUTER DIMENSIONS OF INSULATION: MAX. Ø3,2 MM
- 2 SUITABLE HOOD SIZE 5; 7; 9; 11: SERIES HA; HD
SUITABLE INSERTION AND EXTRACTION TOOL:
SCREWDRIVER 0,5x3 DIN 5264
- 3 Strip lenght: Screw conection 10mm
Spring clamp conection 10mm Crimp conection 7.5mm
- 4 STANDARDS:
DIN EN 61984; DIN EN 60664-1
- 5 PACKAGING:
5 SETS IN A CARTON, PRE-MOUNTED
- 6 SPECIAL PACKAGING: Krauss-Maffei
PACKAGING UNIT: 300 PIECES
- 7 SPECIAL PACKAGING: Krauss-Maffei
PACKAGING UNIT: 150 PIECES
- 8 SPECIAL PACKAGING: AIS
PACKAGING UNIT: 250 PIECES
- 9 SPECIAL PACKAGING: WIELAND
PACKAGING UNIT: 100 PIECES
- 10 SEE TE CONNECTIVITY QUALITYMANAGEMENT PROCEDURE NO. 1.12

Panel cut-out for contact insert when used without housing



Assembling instruction



△ DISTANCE FOR SAFETY CONTACT MARKING MAX. 24 mm

1-3	1-2	1-0	0-4	0-7	0-6	0-5	2-9	1-9	7-9	7-8	1-8	2-8	1-7	7-7	2-7	1-7	2-3	1-1										
				1																	Pin insert screw	PBT	light beige	8	with stainless steel-fixing screw			
								1													Pin insert screw	PBT	light beige	7	with stainless steel-fixing screw			
																					Pin insert screw	PBT	light beige	6	with AU contact			
																					Cover	PBT	light beige	5				
																					Cover	PBT	light beige	4				
1	1	1	1	1	1	1	1	1	1	1	1	1	1	1	1	1	1	1	1	1	Cover	PBT	light beige	3				
																					pin insert spring clamp	PBT	light beige	2				
1	1	1	1																		pin insert crimp/screw	PBT	light beige	1				
HA-16.Sti.S.B1-16.WIE	HA-16.Sti.S.B1-16.AIS	HA-16.Sti.S.B17-32.KM	HA-16.Sti.S.B1-16.KM	HA-16.Sti.S.VA.B1-16	HA-16.Sti.S.VA.B17-32	HA-16.Sti.S-AU.B1-16	HA-16.Sti.S.B 49-64	HA-16.Sti.S.B 49-64	HA-16.Sti.S.C.B 49-64	HA-16.Sti.S.C.B 33-48	HA-16.Sti.S.B 33-48	HA-16.Sti.S.C.B 33-48	HA-16.Sti.S.B 17-32	HA-16.Sti.S.C.B 17-32	HA-16.Sti.S.C.B 17-32	HA-16.Sti.S.C.B 1-16	HA-16.Sti.S.C.B 1-16	HA-16.Sti.S.B 1-16				DESCRIPTION / BENENNUNG	MATERIAL	COLOR / FARBE	ITEM NO. POS.	REMARKS / BEMERKUNGEN		
																					THIS DRAWING IS A CONTROLLED DOCUMENT. DIESE ZEICHNUNG IST EIN KONTROLLIERTES DOKUMENT.				DWN Schneider 09.02.2000	TE Connectivity	Male insert HA.16.Sti.C	
																						CHK Schweiger 09.02.2000						
																						DIMENSIONS: MASSENHEITEN mm	TOLERANCES, UNLESS OTHERWISE SPECIFIED: ALLGEMEINTOLERANZEN	PRODUCT SPEC: 108-74007				
																							0 PLC +	APPLICATION SPEC: 114-77009				
																							1 PLC +	114-77009				
																							2 PLC +		SIZE A2	CAGE CODE 00779	DRAWING NO. ZEICHNUNGS-NR. C=1103416	RESTRICTED TO NUR FUER
																							3 PLC +		SCALE MASSTAB 1:1	SHEET BLATT 1 von 1	REV D7	
																							4 PLC +					
																							ANGLES / WINKEL ±					
																							FINISH / OBERFLAECHE / FARBE					