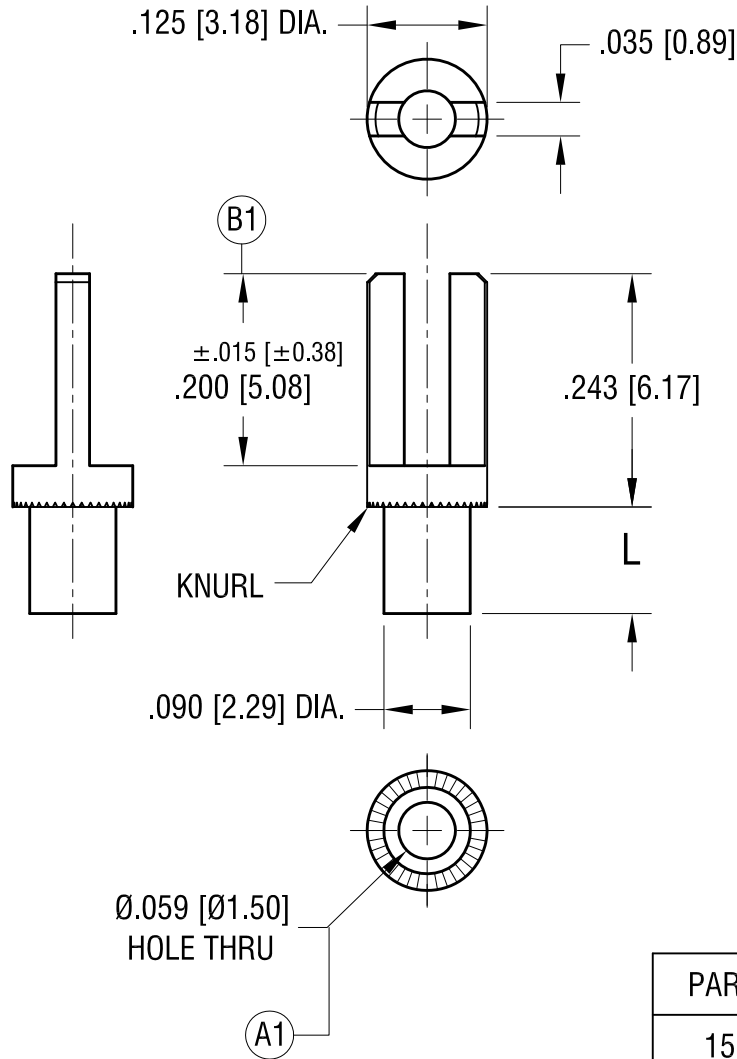


THIS DOCUMENT IS THE PROPERTY OF
KEYSTONE ELECTRONICS CORP. AND
SHALL NOT BE REPRODUCED, DISTRIBUTED
OR USED AS A BASIS FOR MANUFACTURE
WITHOUT PRIOR WRITTEN PERMISSION
FROM KEYSTONE ELECTRONICS CORP.

ACTUAL SIZE

P/N 1511-2



PART NO.	'L' DIM.
1511-1	.080 [2.03]
1511-2	.111 [2.82]
1511-3	.143 [3.63]
1511-4	.174 [4.42]

DATE	DESCRIPTION	REV.
8.31.21	CHANGE AS PER ECN 21-100	B
5.21.14	CHANGE AS PER ECN 14-052	A

(B1) WAS .200±.005

(A1) WAS .063 [1.60]

KEYSTONE ELECTRONICS CORP.
www.keyelco.com • NEW HYDE PARK, NY 11040 • Tel (516) 328-7500

PART NAME		TERMINAL	
MATERIAL		BRASS	
FINISH		DRN BY	DATE
TIN PLATE		BOONE	6.10.02
TOLERANCES		APP'D	SCALE
INCH	[MM]	LN	5X
DECIMAL	± .005 [± 0.13]	DWG NO.	
ANGULAR	± 1°	1511-	
UNLESS OTHERWISE SPECIFIED		CODE	C