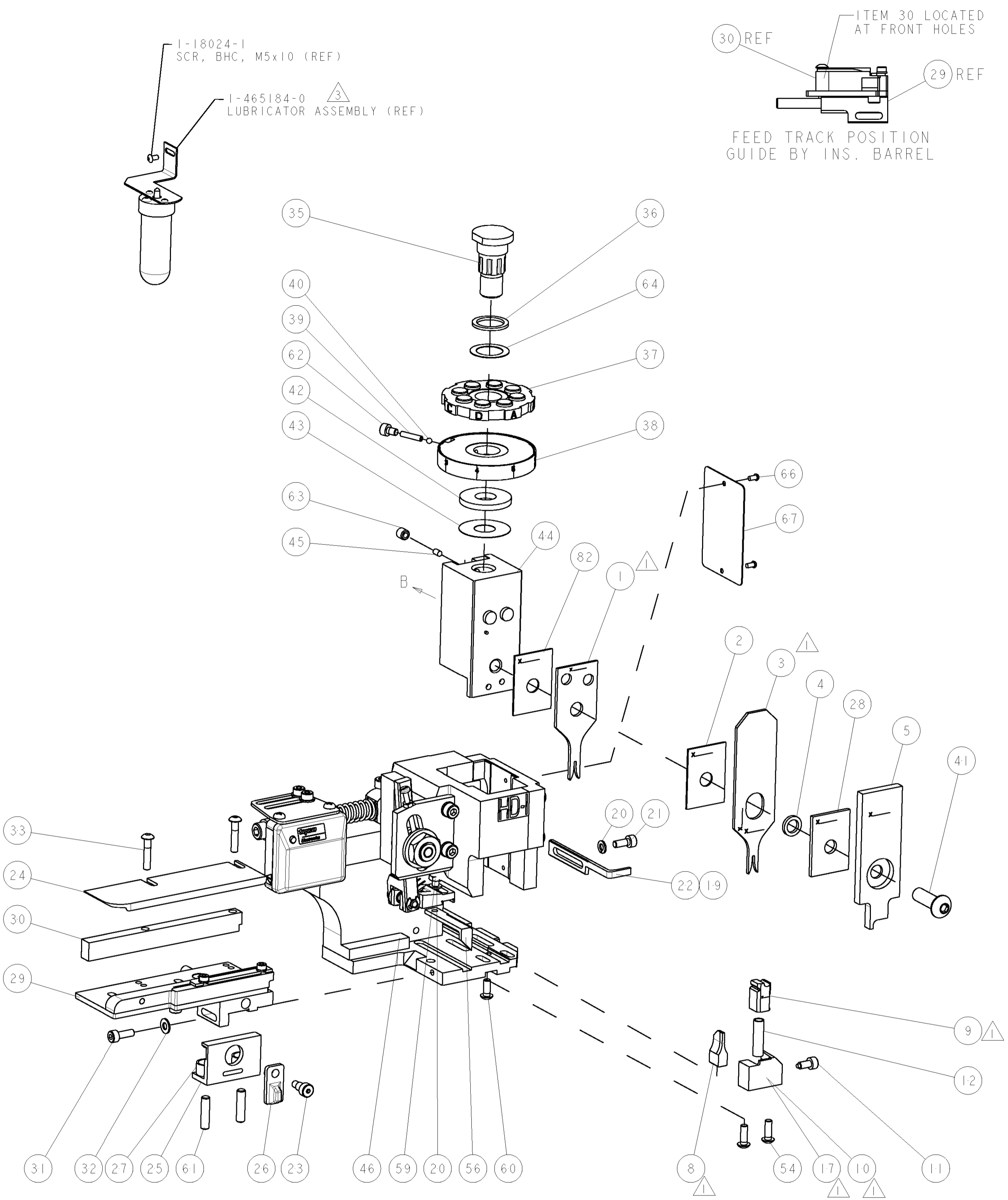
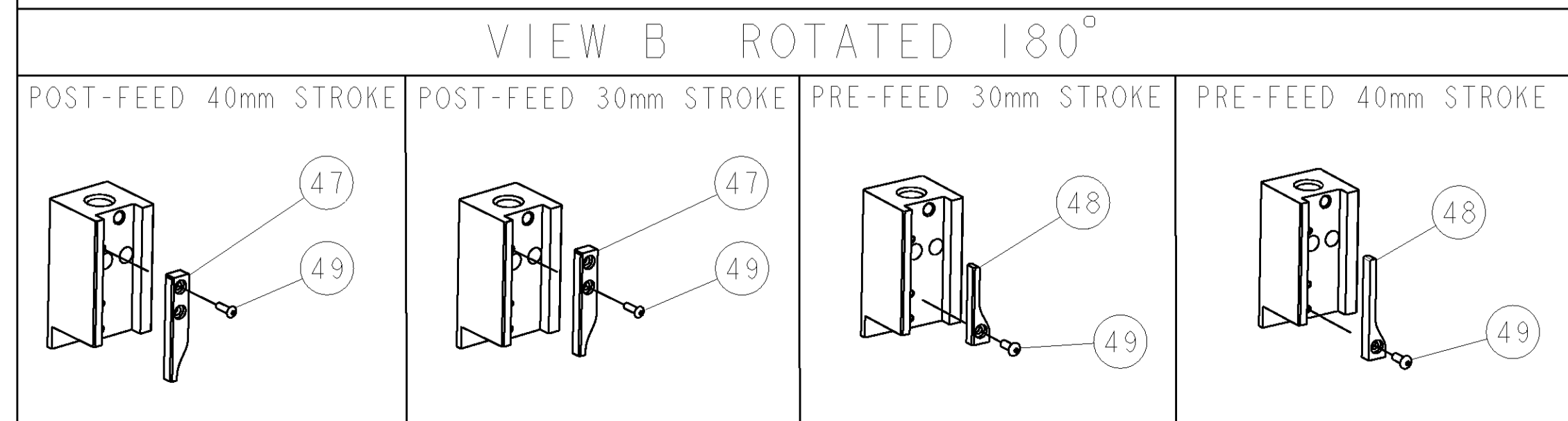


PART NUMBER	REV	TERMINATOR	FEED TYPE	DESCRIPTION
1426635-1	A	LEADMAKER	MECH POST FEED	CUTS CARRIER
1426635-2	A	BENCH	MECH PRE FEED	CUTS CARRIER
1426635-6	A	LEADMAKER	MECH POST FEED	CONTINUOUS CARRIER
7-1426635-1	A	LEADMAKER	MECH POST FEED	-1 AND SPARE PARTS
7-1426635-2	A	BENCH	MECH PRE FEED	-2 AND SPARE PARTS
7-1426635-6	A	LEADMAKER	MECH POST FEED	-6 AND SPARE PARTS
7-1426635-7	A	-	-	SPARE PARTS KIT

CRIMP DATA		CENVALSA TERMINAL		TYCO CRIMP SPECS	
TERMINAL NAME: SERIES 2044 CONTACT					
CRIMP	SIZE	TYPE	RANGE		
WIRE	1.22 [.048 IN]	F	28-22 AWG		
INSUL	1.57 [.062 IN]	F	0.89-1.30 [.035-.051 IN]		
WIRE STRIP LENGTH		APPL INSTRUCTIONS			
2.50-3.30 [.098-.134 IN]		408-8322			
TERMINAL APPL SPEC		FEED		5.00 [.197 IN]	
TERMINALS APPLIED					
TYCO TERM PN	MANUF TERM PN	TYCO TERM PN	MANUF TERM PN		
1949326-1	2044-2000	1949326-5	2044-6000		
1949326-2	2044-3000	1949326-6	2044-7000		
1949326-3	2044-4000	-	-		
1949326-4	2044-5000	-	-		
WIRE SIZE	CRIMP HEIGHT	PINPN & LENGTH [IN]			
0.50mm ²	0.89 ± 0.05 [.035 ± .002 IN]	354779-6 [.3020]			
22 AWG	0.84 ± 0.05 [.033 ± .002 IN]	1-354779-2 [.3050]			
24 AWG	0.76 ± 0.05 [.030 ± .002 IN]	1-354779-9 [.3085]			
26 AWG	0.71 ± 0.05 [.028 ± .002 IN]	2-354779-3 [.3105]			
28 AWG	0.69 ± 0.05 [.027 ± .002 IN]	2-354779-5 [.3115]			

- △ RECOMMENDED SPARE PARTS.
- 2. GREASE RAM, CAM, CAM FOLLOWER AND FEED ROD LIGHTLY.
- △ CERTAIN TERMINALS REQUIRE LUBRICATION. REFER TO THE APPLICATOR INSTRUCTION SHEET FOR MORE INFORMATION.
- 4. LUBRICATE DAILY PER THE APPLICATOR INSTRUCTION SHEET SUPPLIED WITH THE APPLICATOR.
- △ ALL CRIMP DATA CALCULATED BY TYCO ELECTRONICS UK LTD.
- △ WIRE RANGE SHOWN IS THAT OF THE TERMINAL.
- △ INSULATION RANGE SHOWN IS THAT OF THE APPLICATOR.
- △ WIRE SIZE IS SPECIFIC TO ORIGINAL CUSTOMER.



QTY	PART NO	DESCRIPTION	ITEM NO
-	-	-	84
-	-	-	83
-	-	-	82
-	-	-	81
-	-	-	80
-	-	-	79
-	-	-	78
-	-	-	77
-	-	-	76
-	-	-	75
-	-	-	74
-	-	-	73
-	-	-	72
-	-	-	71
-	-	-	70
-	-	-	69
-	-	-	68
-	-	-	67
-	-	-	66
-	-	-	65
-	-	-	64
-	-	-	63
-	-	-	62
-	-	-	61
-	-	-	60
-	-	-	59
-	-	-	58
-	-	-	57
-	-	-	56
-	-	-	55
-	-	-	54
-	-	-	53
-	-	-	52
-	-	-	51
-	-	-	50
-	-	-	49
-	-	-	48
-	-	-	47
-	-	-	46
-	-	-	45
-	-	-	44
-	-	-	43
-	-	-	42
-	-	-	41
-	-	-	40
-	-	-	39
-	-	-	38
-	-	-	37
-	-	-	36
-	-	-	35
-	-	-	34
-	-	-	33
-	-	-	32
-	-	-	31
-	-	-	30
-	-	-	29
-	-	-	28
-	-	-	27
-	-	-	26
-	-	-	25
-	-	-	24
-	-	-	23
-	-	-	22
-	-	-	21
-	-	-	20
-	-	-	19
-	-	-	18
-	-	-	17
-	-	-	16
-	-	-	15
-	-	-	14
-	-	-	13
-	-	-	12
-	-	-	11
-	-	-	10
-	-	-	9
-	-	-	8
-	-	-	7
-	-	-	6
-	-	-	5
-	-	-	4
-	-	-	3
-	-	-	2
-	-	-	1

SET UP GAGE 458637-3		LOC	DIST	REVISONS			
A	66	P	LTR	DESCRIPTION	DATE	BY	APPD
		A		SEE ECO-07-010806	08MAY2007	DP	MC
-	-	-	-	-	-	-	73
-	-	-	-	-	-	-	72
-	-	-	-	-	-	-	71
-	-	-	-	-	-	-	70
-	-	-	-	-	-	-	69
-	-	-	-	-	-	-	68
-	-	-	-	-	-	-	67
-	-	-	-	-	-	-	66
-	-	-	-	-	-	-	65
-	-	-	-	-	-	-	64
-	-	-	-	-	-	-	63
-	-	-	-	-	-	-	62
-	-	-	-	-	-	-	61
-	-	-	-	-	-	-	60
-	-	-	-	-	-	-	59
-	-	-	-	-	-	-	58
-	-	-	-	-	-	-	57
-	-	-	-	-	-	-	56
-	-	-	-	-	-	-	55
-	-	-	-	-	-	-	54
-	-	-	-	-	-	-	53
-	-	-	-	-	-	-	52
-	-	-	-	-	-	-	51
-	-	-	-	-	-	-	50
-	-	-	-	-	-	-	49
-	-	-	-	-	-	-	48
-	-	-	-	-	-	-	47
-	-	-	-	-	-	-	46
-	-	-	-	-	-	-	45
-	-	-	-	-	-	-	44
-	-	-	-	-	-	-	43
-	-	-	-	-	-	-	42
-	-	-	-	-	-	-	41
-	-	-	-	-	-	-	40
-	-	-	-	-	-	-	39
-	-	-	-	-	-	-	38
-	-	-	-	-	-	-	37
-	-	-	-	-	-	-	36
-	-	-	-	-	-	-	35
-	-	-	-	-	-	-	34
-	-	-	-	-	-	-	33
-	-	-	-	-	-	-	32
-	-	-	-	-	-	-	31
-	-	-	-	-	-	-	30
-	-	-	-	-	-	-	29
-	-	-	-	-	-	-	28
-	-	-	-	-	-	-	27
-	-	-	-	-	-	-	26
-	-	-	-	-	-	-	25
-	-	-	-	-	-	-	24
-	-	-	-	-	-	-	23
-	-	-	-	-	-	-	22
-	-	-	-	-	-	-	21
-	-	-	-	-	-	-	20
-	-	-	-	-	-	-	19
-	-	-	-	-	-	-	18
-	-	-	-	-	-	-	17
-	-	-	-	-	-	-	16
-	-	-	-	-	-	-	15
-	-	-	-	-	-	-	14
-	-	-	-	-	-	-	13
-	-	-	-	-	-	-	12
-	-	-	-	-	-	-	11
-	-	-	-	-	-	-	10
-	-	-	-	-	-	-	9
-	-	-	-	-	-	-	8
-	-	-	-	-	-	-	7
-	-	-	-	-	-	-	6
-	-	-	-	-	-	-	5
-	-	-	-	-	-	-	4
-	-	-	-	-	-	-	3
-	-	-	-	-	-	-	2
-	-	-	-	-	-	-	1
QTY	PART NO	DESCRIPTION	ITEM NO				
-77	-76	-72	-71				
-6	-2	-1					