
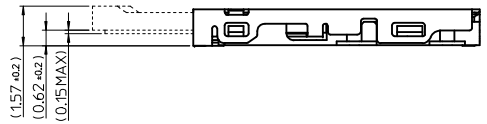
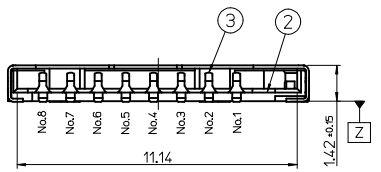
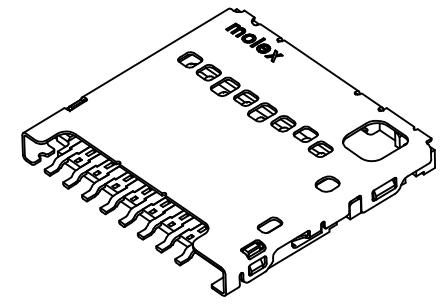
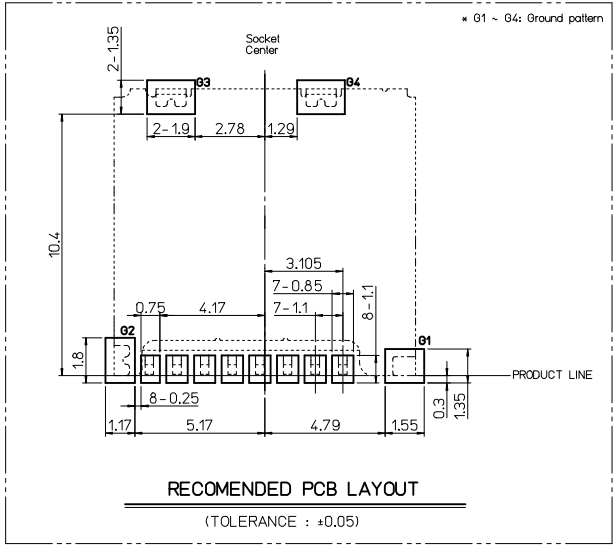
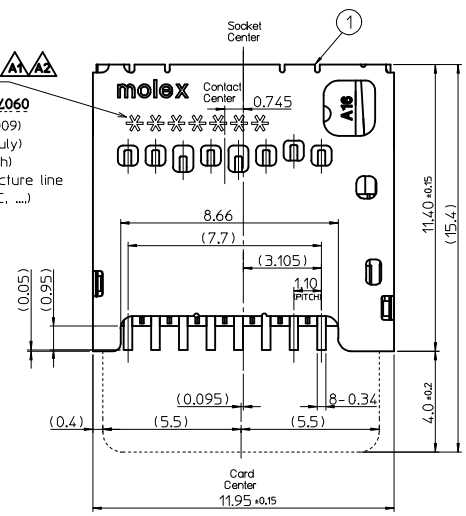


-DATE CODE- 
 example: **Y51L060**
 09 -> Year(2009)
 07 -> Month(July)
 15 -> Date(15th)
 A -> Manufacture line
 (A, B, C, ...)



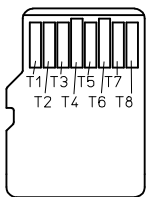
NOTES


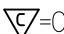

1. MATERIALS: SEE TABLE
2. FINISHES: SEE TABLE
3. PRODUCT SPECIFICATIONS: PS-104031-002
4. PACKING SPECIFICATIONS: RPK-104031-001
5. COPLANARITY OF SOLDER TAILS: 0.1mm MAX.
 MISALIGNMENT OF SOLDER TAIL FROM 'Z'
 UPPER DIRECTION 0.05mm MAX., LOWER DIRECTION 0.1mm MAX.

[microSD CARD PIN-MAP]

PIN NUMBER	DESCRIPTION
T1	DAT2
T2	CD/DAT3 ²
T3	CMD
T4	V _{DD}
T5	CLK
T6	V _{SS}
T7	DAT0
T8	DAT1

microSD CARD
[Back View]



RELEASED IEC NO: KOR2013-0028 DRWN: CYANG 2012/08/25 CH'KD: APPR: YSK/IM02 2012/09/04 REV	1040310821 MATERIAL NO.	104031-0821 ORDER NO.	NO.	3 CONTACT TERMINALS 2 HOUSING 1 METAL SHELL	PHOSPHOR BRONZE LIQUID CRYSTAL POLYMER STAINLESS STEEL	SELECTIVE GOLD OVER NICKEL BLACK COLOR, UL94V-0 SELECTIVE GOLD OVER NICKEL
	QUALITY SYMBOLS  = 0  = 0	GENERAL TOLERANCES (UNLESS SPECIFIED)		DIMENSION STYLE MM ONLY	SCALE 5/1	DESIGN UNITS METRIC
DRAFT WHERE APPLICABLE MUST REMAIN WITHIN DIMENSIONS		ANGULAR ± 1 °		DRAWN BY IC. YANG	DATE 2008.10.01	MICROSD CARD SOCKET PUSH-PULL 1,42H WITHOUT S/W(DATE CODE)
4 PLACES ± --- ± --- 3 PLACES ± 0.1 ± --- 2 PLACES ± 0.1 ± --- 1 PLACE ± 0.2 ± ---		CHECKED BY SH. CHU		DATE 2008.10.02		
SEE TABLE		APPROVED BY YUNSIKKIM		DATE 2011/04/06		 MOLEX INCORPORATED
SIZE A3		MATERIAL NO.		DOCUMENT NO.		SHEET NO. 1 OF 2

10 9 8 7 6 5 4 3 2 1

F

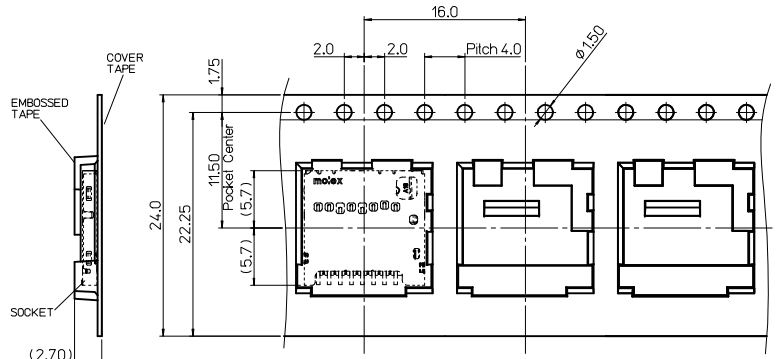
E

D

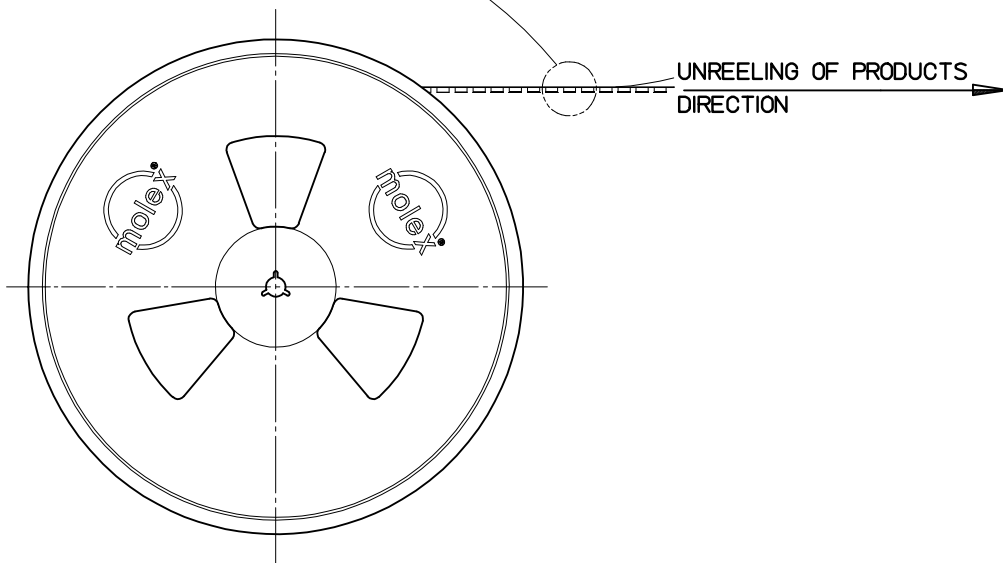
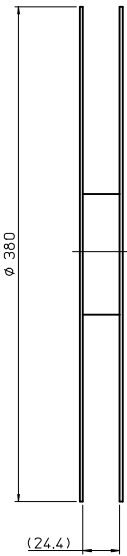
C

B

A

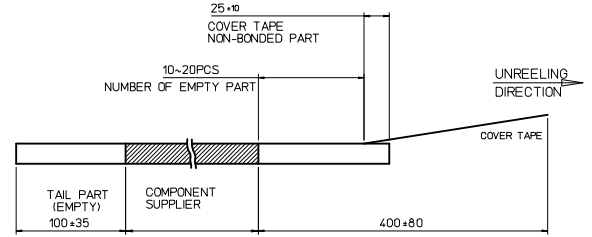


TOP VIEW OF EMBOSS TAPE

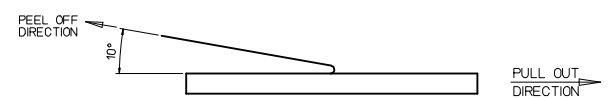


NOTES

- 1. QUANTITY OF PRODUCTS : 2,000 PCS / 1 REEL
- 2. LEAD LENGTH



- 3. PEELING OFF FORCE OF COVER TAPE : 0.1N~0.59N(10.2~60gf)
(PEELING DIRECTION AS BELOW)
- PEELING OFF SPEED : 300mm/Min.(Ref.)



RELEASED EC NO: KOR2013-0028 DRWN: I.CYANG CHKD: APPR: YSKIM02 2012/08/25 2012/09/04	QUALITY SYMBOLS ▽=0 ▽=0	GENERAL TOLERANCES (UNLESS SPECIFIED)		DIMENSION STYLE MM ONLY		SCALE 2/1	DESIGN UNITS METRIC	THIRD ANGLE PROJECTION	
			mm	INCH	DRAWN BY	DATE	TITLE		
		4 PLACES	± ---	± ---	IC.YANG	2008.10.01	MICROSD CARD SOCKET PUSH-PULL 1.42H WITHOUT S/W(DATE CODE)		
		3 PLACES	± 0.1	± ---	CHECKED BY	DATE			
2 PLACES	± 0.1	± ---	SH.CHU	2008.10.02	MOLEX INCORPORATED				
1 PLACE	± 0.2	± ---	APPROVED BY	DATE					
ANGULAR ± 1 °		DRAFT WHERE APPLICABLE MUST REMAIN WITHIN DIMENSIONS		MATERIAL NO.		DOCUMENT NO.	SHEET NO.		
A2	REV	SEE SHEET 1		SD-104031-002		2 OF 2			
				THIS DRAWING CONTAINS INFORMATION THAT IS PROPRIETARY TO MOLEX INCORPORATED AND SHOULD NOT BE USED WITHOUT WRITTEN PERMISSION					

9 8 7 6 5 4 3 2 1