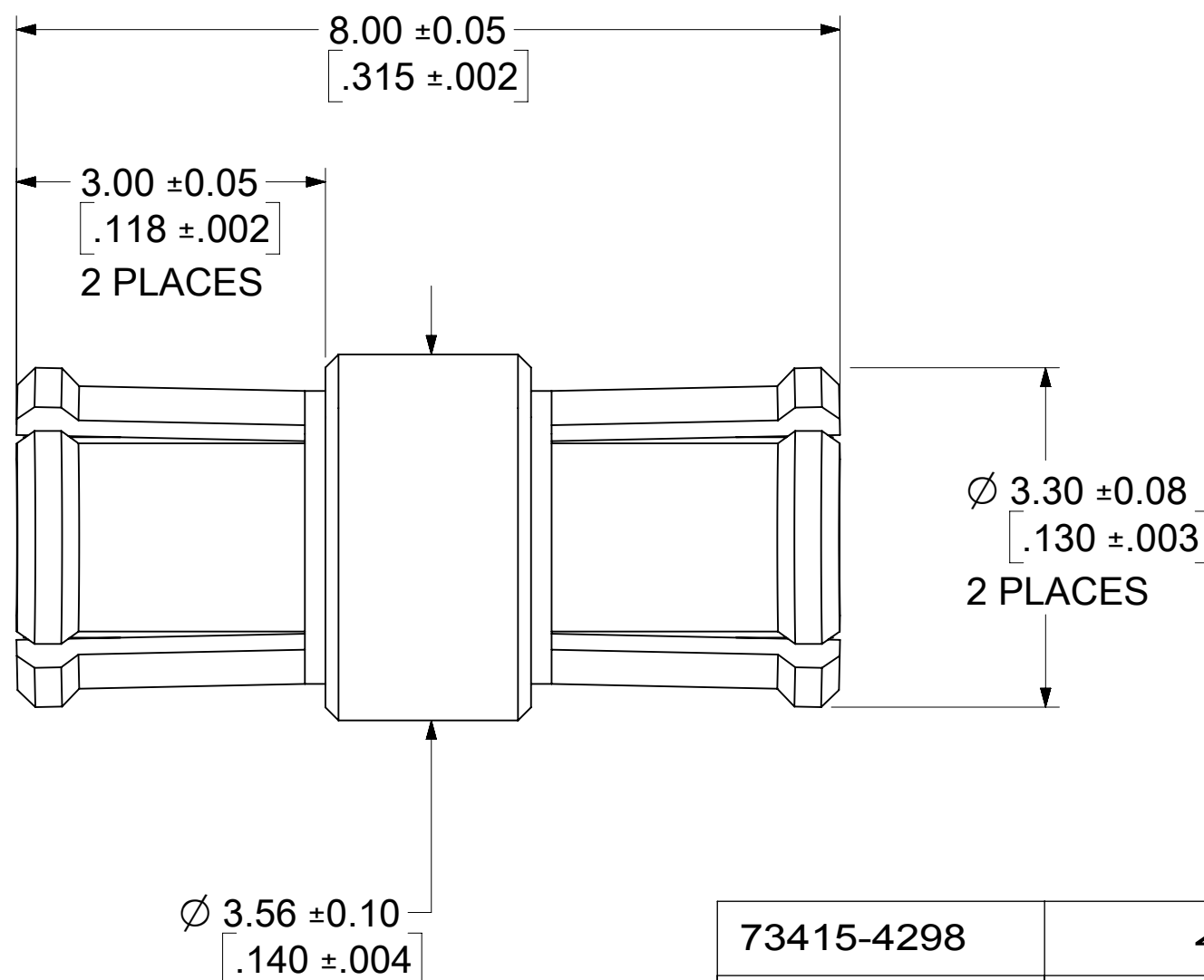
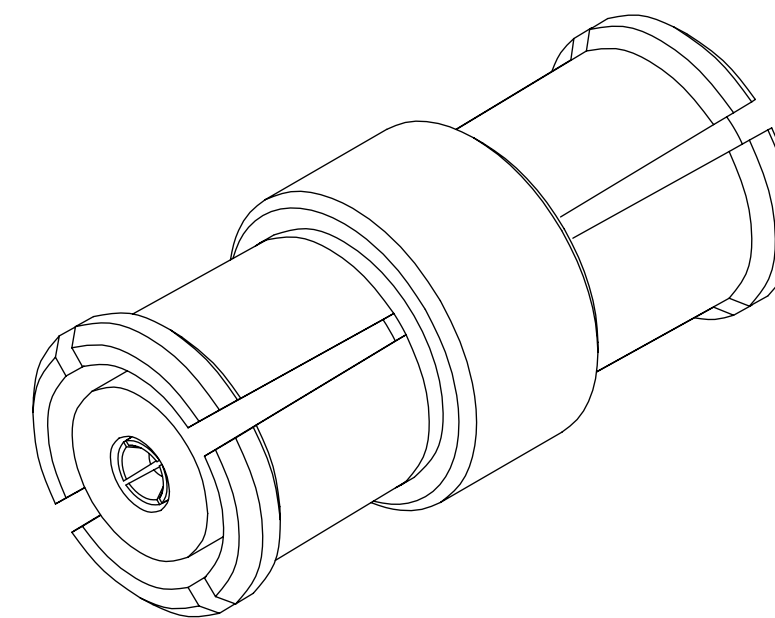


MATERIAL AND FINISHES

BODY: BERYLLIUM COPPER
PLATED GOLD (SEE TABLE)

CONTACT: BERYLLIUM COPPER
PLATED GOLD (SEE TABLE)

INSULATOR: TEFLON



73415-4296	30 μ INCH MIN
73415-4290	30 μ INCH MIN
PART NO.	PLATING
	THICKNESS

MIL-STD-348A, FIG. 326.1	INTERFACE
SPECIFICATION	DESCRIPTION

73415-4298	4	ONE PER BAG	895420470
73415-4297	3	ONE PER BAG	895420470
73415-4296	1	ONE PER BAG	895420470
73415-4295	4	TRAY	895420040
73415-4294	3	TRAY	895420040
73415-4293	4	TRAY	-----
73415-4292	3	TRAY	895420040
73415-4291	2	TRAY	895420040
73415-4290	1	TRAY	895420040
PART NO.	SHEET NO.	PACKAGING	PACKING SPEC

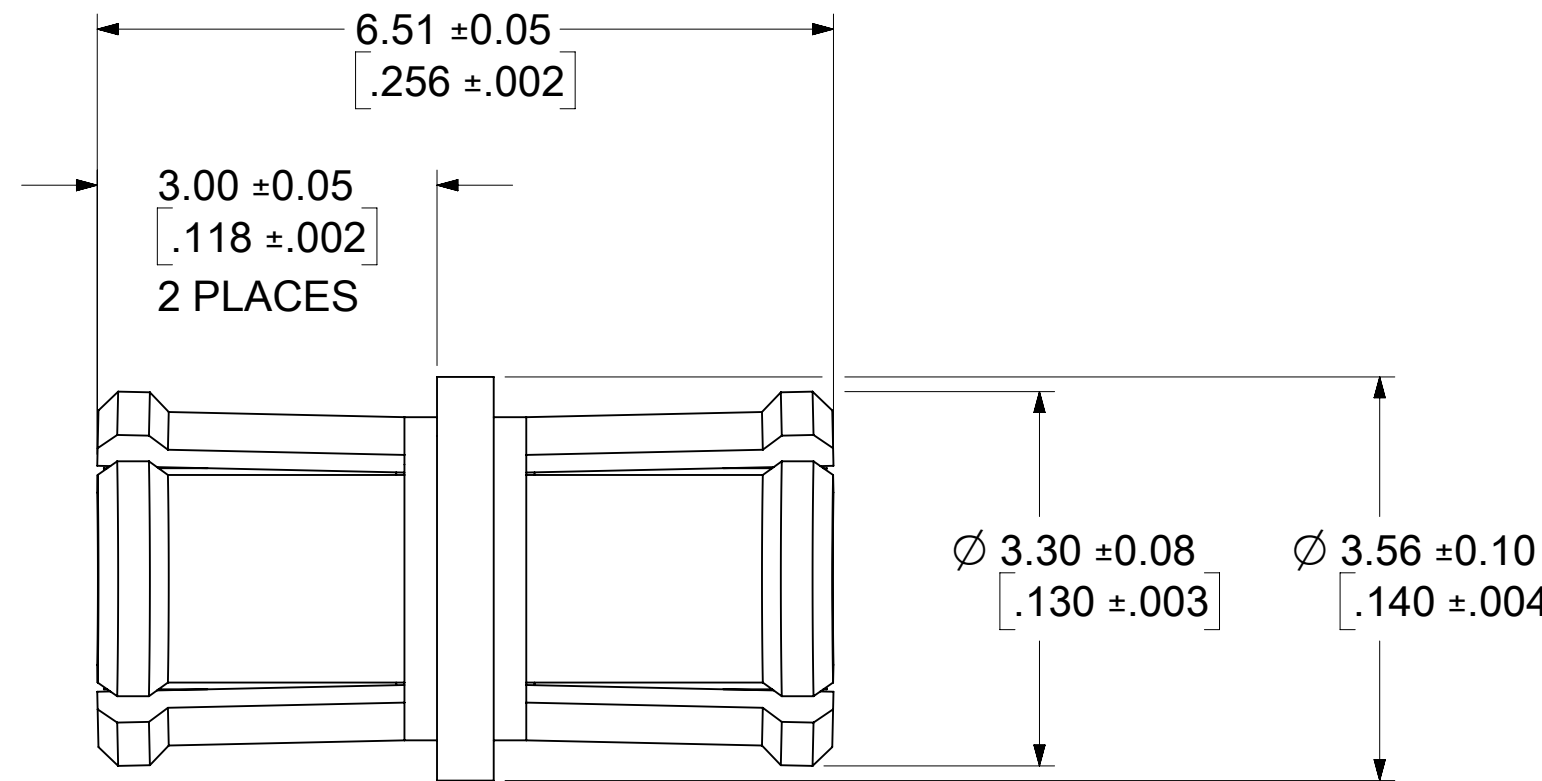
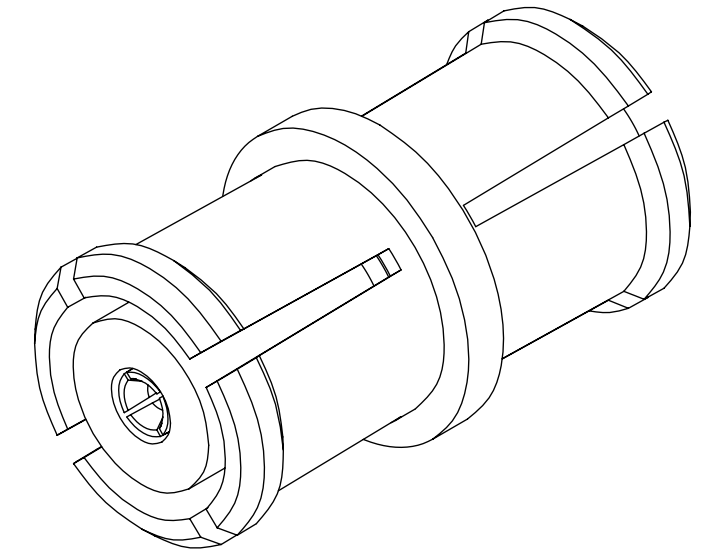
FUNCTIONAL SYMBOLS	THIS DRAWING CONTAINS INFORMATION THAT IS PROPRIETARY TO MOLEX ELECTRONIC TECHNOLOGIES, LLC AND SHOULD NOT BE USED WITHOUT WRITTEN PERMISSION		
	DIMENSION UNITS	SCALE	CURRENT REV DESC: ADD 73415-4298 PER EWR# 15321-C
$\frac{F}{A} = 0$	MM/INCH	NTS	EC NO: 719080 DRWN: ELIN 2022/08/25 CHK'D: YCHENG 2022/08/29 APPR: YCHENG 2022/08/29 INITIAL REVISION: DRWN: TFLAHERT 2004/09/08 APPR: JWIENER 2004/09/08
$\frac{F}{C} = 0$	GENERAL TOLERANCES (UNLESS SPECIFIED)		
$\frac{F}{P} = 0$	ANGULAR TOL ± 2.0°		
DIVISIONAL SYMBOLS	4 PLACES	±	DOCUMENT NUMBER SD-73415-429 DOC TYPE DOC PART REVISION PSD 001 C3
	3 PLACES	±	
	2 PLACES	±	
	1 PLACE	±	
0 PLACES	±		MATERIAL NUMBER SEE TABLE CUSTOMER GENERAL MARKET SHEET NUMBER 1 OF 4

MATERIAL AND FINISHES

BODY: BERYLLIUM COPPER
 PLATED GOLD (30 μ INCH MINIMUM)

CONTACT: BERYLLIUM COPPER
 PLATED GOLD (30 μ INCH MINIMUM)

INSULATOR: TEFLON



PART # 73415-4291

MIL-STD-348A, FIG. 326.1	INTERFACE
SPECIFICATION	DESCRIPTION

FUNCTIONAL SYMBOLS	THIS DRAWING CONTAINS INFORMATION THAT IS PROPRIETARY TO MOLEX ELECTRONIC TECHNOLOGIES, LLC AND SHOULD NOT BE USED WITHOUT WRITTEN PERMISSION											
	DIMENSION UNITS	SCALE	CURRENT REV DESC: ADD 73415-4298 PER EWR# 15321-C							molex		
$\frac{F}{A} = 0$	MM/INCH	NTS	GENERAL TOLERANCES (UNLESS SPECIFIED)		EC NO: 719080							
$\frac{F}{C} = 0$			ANGULAR TOL ± 2.0°		DRWN: ELIN		2022/08/25			SMP JACK, ADAPTER		
$\frac{F}{P} = 0$			4 PLACES ±		CHK'D: YCHENG		2022/08/29			50 OHMS, EWR1994 & 2098 SMP-J/AD		
DIVISIONAL SYMBOLS			3 PLACES ±		APPR: YCHENG		2022/08/29			PRODUCT CUSTOMER DRAWING		
			2 PLACES ±		INITIAL REVISION:		DOCUMENT NUMBER			DOC TYPE	DOC PART	REVISION
			1 PLACE ±		DRWN: TFLAHERT		2004/09/08			SD-73415-429		
			0 PLACES ±		APPR: JWIENER		2004/09/08			PSD 001 C3		
DRAFT WHERE APPLICABLE MUST REMAIN WITHIN DIMENSIONS			THIRD ANGLE PROJECTION		DRAWING	SERIES	MATERIAL NUMBER	CUSTOMER	SHEET NUMBER			
					C-SIZE	73415	SEE TABLE	GENERAL MARKET	2 OF 4			

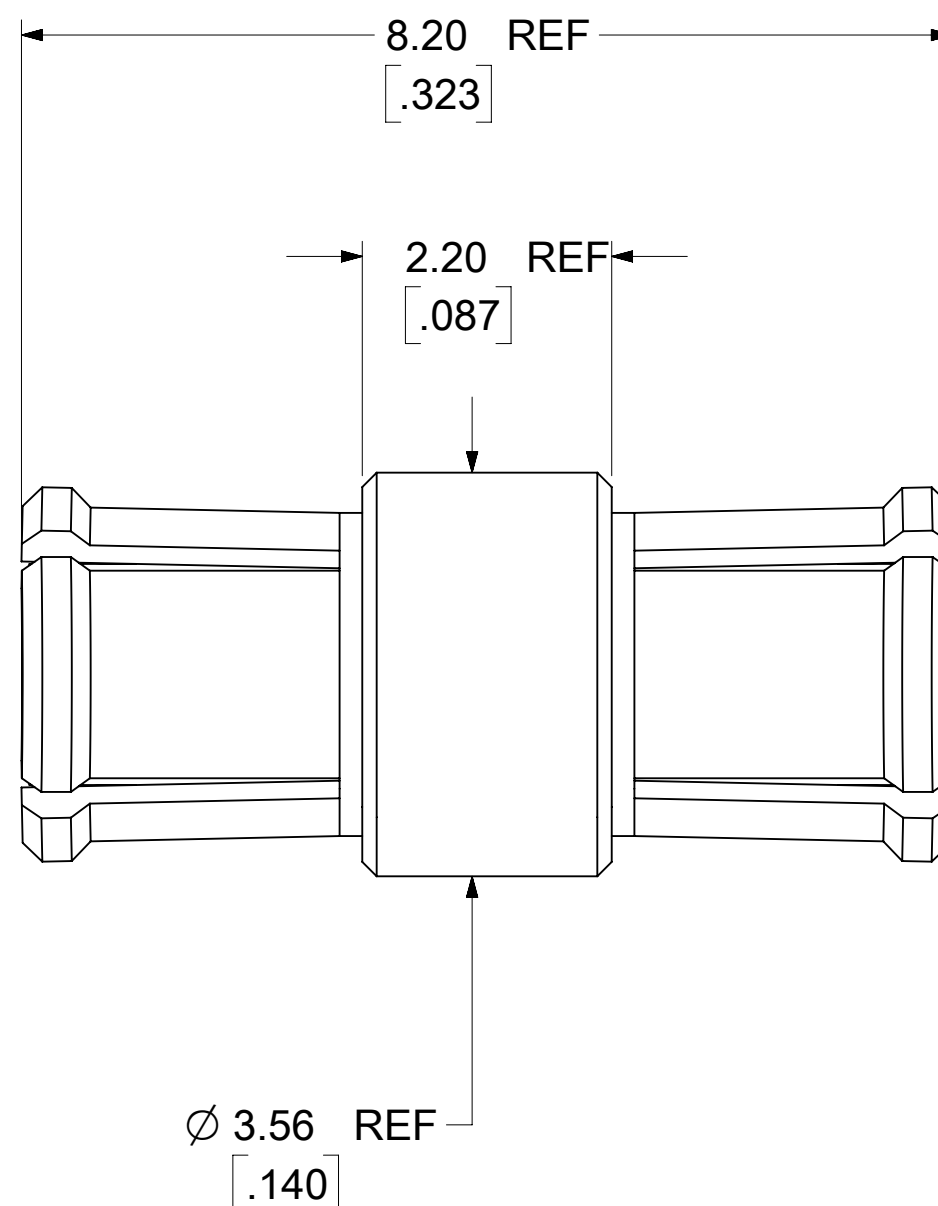
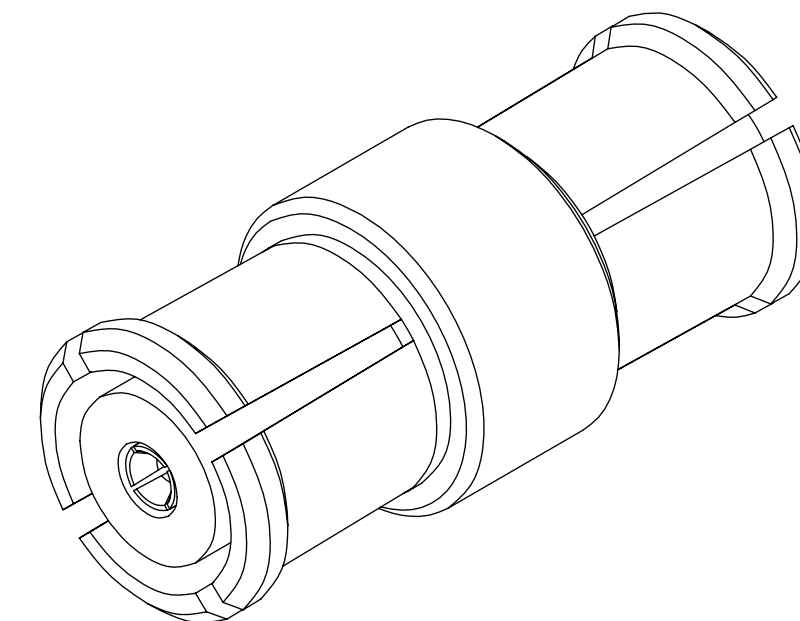
DOCUMENT STATUS	P1	RELEASE DATE	2022/08/29	03:27:20
-----------------	----	--------------	------------	----------

MATERIAL AND FINISHES:

BODY: BERYLLIUM COPPER
PLATED GOLD (SEE TABLE)

CONTACT: BERYLLIUM COPPER
PLATED GOLD (SEE TABLE)

INSULATOR: TEFLON



MIL-STD-348A, FIG. 326.1	INTERFACE
SPECIFICATION	DESCRIPTION

73415-4297	50 μ INCH MIN
73415-4294	30 μ INCH MIN
73415-4292	50 μ INCH MIN
PART NO.	PLATING
	THICKNESS

FUNCTIONAL SYMBOLS	THIS DRAWING CONTAINS INFORMATION THAT IS PROPRIETARY TO MOLEX ELECTRONIC TECHNOLOGIES, LLC AND SHOULD NOT BE USED WITHOUT WRITTEN PERMISSION											
DIMENSION UNITS	SCALE	CURRENT REV DESC: ADD 73415-4298 PER EWR# 15321-C								molex		
$\frac{F}{A} = 0$	MM/INCH NTS	EC NO: 719080										SMP JACK, ADAPTER
$\frac{F}{C} = 0$	GENERAL TOLERANCES (UNLESS SPECIFIED)		DRWN: ELIN 2022/08/25								50 OHMS, EWR1994 & 2098 SMP-J/AD	
$\frac{F}{P} = 0$	ANGULAR TOL ± 2.0°		CHK'D: YCHENG 2022/08/29								PRODUCT CUSTOMER DRAWING	
DIVISIONAL SYMBOLS	4 PLACES ±		APPR: YCHENG 2022/08/29								DOCUMENT NUMBER	
	3 PLACES ±		INITIAL REVISION:								SD-73415-429	
	2 PLACES ±		DRWN: TFLAHERT 2004/09/08								PSD 001 C3	
	1 PLACE ±		APPR: JWIENER 2004/09/08								DOC TYPE DOC PART REVISION	
	0 PLACES ±		DRAFT WHERE APPLICABLE MUST REMAIN WITHIN DIMENSIONS		THIRD ANGLE PROJECTION		DRAWING C-SIZE		SERIES 73415		MATERIAL NUMBER CUSTOMER SHEET NUMBER	
									SEE TABLE GENERAL MARKET		3 OF 4	

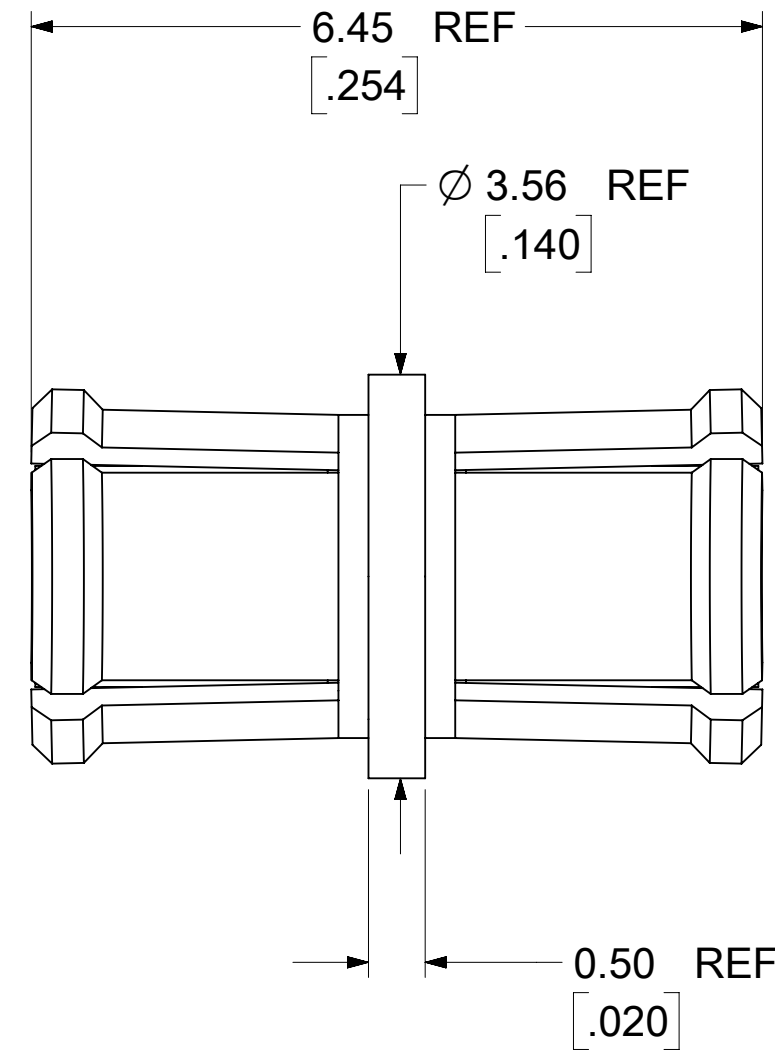
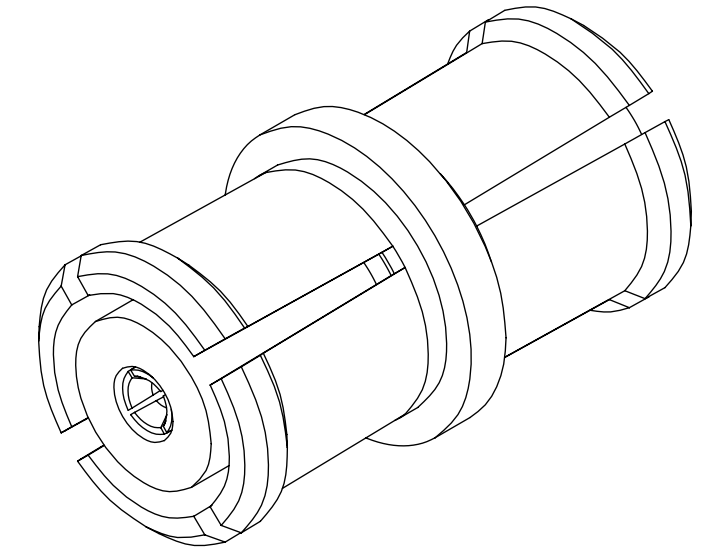
DOCUMENT STATUS	P1	RELEASE DATE	2022/08/29 03:27:20
-----------------	----	--------------	---------------------

MATERIAL AND FINISHES:

BODY: BERYLLIUM COPPER
PLATED GOLD (SEE TABLE)

CONTACT: BERYLLIUM COPPER
PLATED GOLD (SEE TABLE)

INSULATOR: TEFLON



MIL-STD-348A, FIG. 326.1	INTERFACE
SPECIFICATION	DESCRIPTION

73415-4298	30 μ INCH MIN
73415-4295	30 μ INCH MIN
73415-4293	50 μ INCH MIN
PART NO.	PLATING
	THICKNESS

FUNCTIONAL SYMBOLS $\nabla_A = 0$ $\nabla_C = 0$ $\nabla_P = 0$	THIS DRAWING CONTAINS INFORMATION THAT IS PROPRIETARY TO MOLEX ELECTRONIC TECHNOLOGIES, LLC AND SHOULD NOT BE USED WITHOUT WRITTEN PERMISSION DIMENSION UNITS: MM/INCH SCALE: NTS CURRENT REV DESC: ADD 73415-4298 PER EWR# 15321-C	molex SMP JACK, ADAPTER 50 OHMS, EWR1994 & 2098 SMP-J/AD PRODUCT CUSTOMER DRAWING			
	GENERAL TOLERANCES (UNLESS SPECIFIED) ANGULAR TOL ± 2.0° 4 PLACES ± 3 PLACES ± 2 PLACES ± 1 PLACE ± 0 PLACES ±				EC NO: 719080 DRWN: ELIN 2022/08/25 CHK'D: YCHENG APPR: YCHENG 2022/08/29
DRAFT WHERE APPLICABLE MUST REMAIN WITHIN DIMENSIONS THIRD ANGLE PROJECTION 	DRAWING C-SIZE	SERIES 73415	MATERIAL NUMBER SEE TABLE	CUSTOMER GENERAL MARKET	SHEET NUMBER 4 OF 4

DOCUMENT STATUS	P1	RELEASE DATE	2022/08/29	03:27:20
-----------------	----	--------------	------------	----------