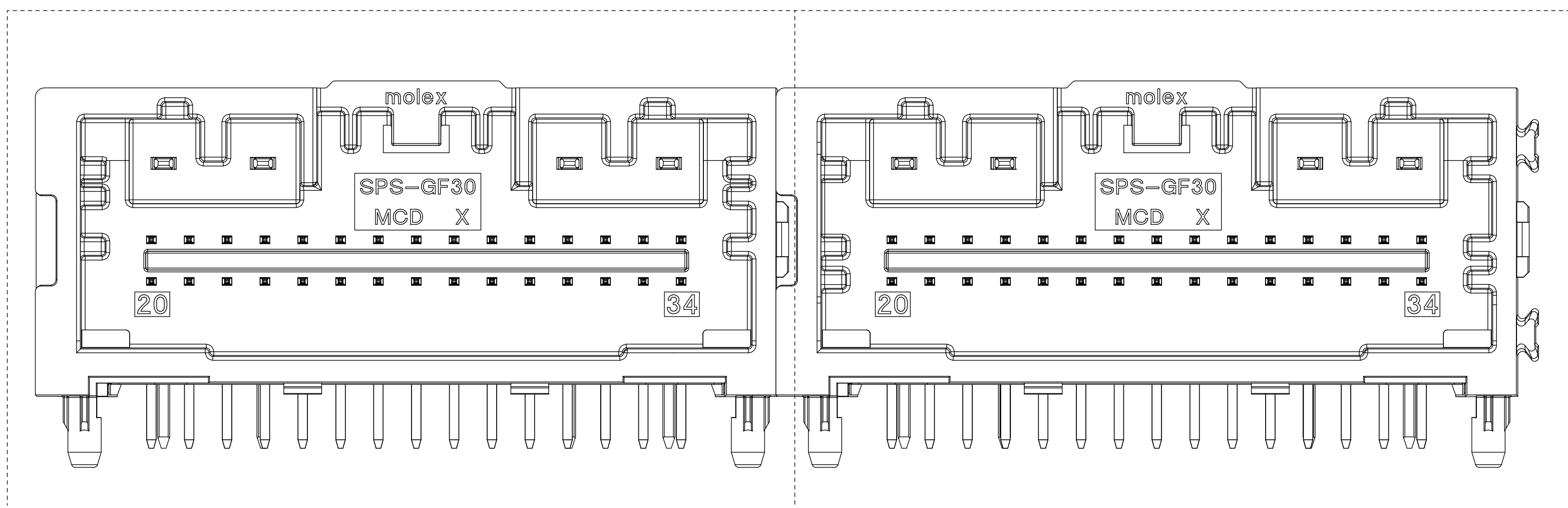
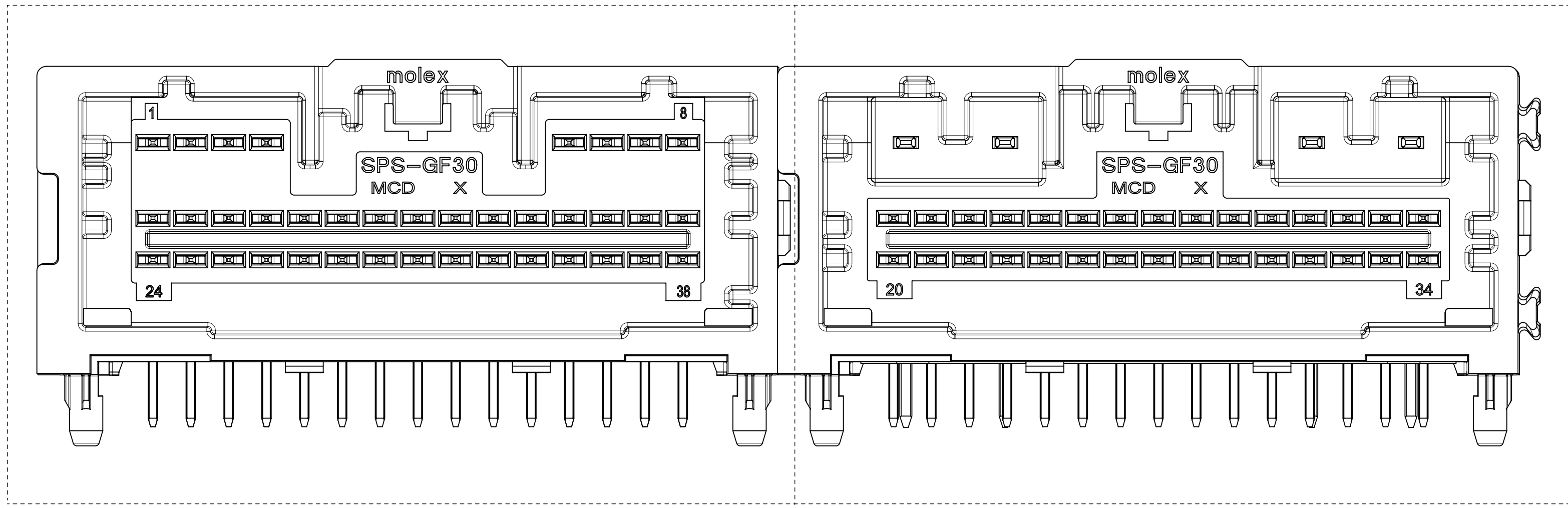


TABLE OF CONTENTS	
SHEET NO.	SHEET DESCRIPTION
1	NOTES,INSPECTION BALLOON NUMBER LOG, REV.COLUMN, 2-BAY MINI50 RIGHT ANGLE HEADER ASSEMBLY
2	CHART FOR MULTIBAY CONFIGURATION FOR UL94 HB DEPOLULATED HEADER PIN CONFIGURATION
3	CHART FOR MULTIBAY CONFIGURATION FOR UL94 V0 HB/V0 HEADER DIFFERENCE VIEW
4	DETAIL DIMENSION VIEW REFERENCE PCB LAYOUT

2-BAY MINI50 RIGHT ANGLE HEADER ASSEMBLY
PIN INSERTION DIRCTION FROM PCB SIDE TO MATING SIDE
(P/N 34960-0200 SHOWN,STATUS: WILL BE OBSOLETE IN 2023)



2-BAY MINI50 RIGHT ANGLE HEADER ASSEMBLY
PIN INSERTION DIRCTION FROM MATING SIDE TO PCB SIDE
(P/N 34960-0232 SHOWN, STATUS: SALEABLE)



- NOTES: VALID UNLESS OTHERWISE SPECIFIED
1. GENERAL:
- B6 a. PRODUCT SPECIFICATION:
 - HB:PS-34959-001
 - V0:2133550000-PS
 - b. APPLICATION SPECIFICATION: AS-34959-001
 - c. PACKAGING SPECIFICATION PER MOLEX DRAWING PK-31302-070 (TRAY)
 - d. PACKAGING SPECIFICATION PER MOLEX DRAWING PK-31301-688 (TUBE)
 - e. COSMETIC SPECIFICATION: PS-45499-002 Class B
 - f. GEOMETRIC TOLERANCING: SEE DIN 16901 TABLE
 - g. MATES WITH: SD-34959-030

2. DESIGN: MATERIALS:
- B6 a. SHROUD (PLASTIC HOUSING):
 - HB RESIN - SPS
 - V0 RESIN - SPS
 - B6 b. PIN ALIGNMENT PLATE:
 - i. HB RESIN - SPS
 - ii. V0 RESIN - SPS
 - ii. COLOR - BLACK
 - c. 0.50mm BLADES:
 - i. BASE MATERIAL: BRASS
 - ii. PLATING TYPE: AS NOTED
 - d. 1.20mm BLADES:
 - i. BASE MATERIAL: BRASS
 - ii. PLATING TYPE: AS NOTED

3. PLATING REQUIREMENTS:
- a. UNDERPLATING - OVERALL NICKEL
 - b. OVERPLATING - OVERALL REFLOW TIN

4. FOR DESCRIPTION OF INDIVIDUAL BAYS, REFER TO THE FOLLOWING SINGLE BAY DRAWINGS:
- a. PART NUMBER: 34961-03XX, REFER TO SD-34961-030
 - B6 b. PART NUMBER: 34961-13XX, REFER TO SD-34961-130
 - c. PART NUMBER: 213355XXXX, REFER TO SD-34961-030

REV	REV DESCRIPTION	ECN SAP NO.
B6	1.SHEET 1:UPDATED NOTES 2.SHEET 2:ADDED FLAMMABILITY UL94 DESCRIPTION IN FORM 3.SHEET 3:ADDED NEW PART NUMBER :3001960200 4.SHEET 3:ADDED SHEET 3 TO SHOW HB / V0 VERSION DIFFERENCE 5.SHEET 4:UPDATED DIM 1: 2.75±0.50 WAS 2.74±0.50	CO-000001013
B5	CREATED NEW REVISION TO UPLOAD DRAWING IN MDS SYSTEM	CO-000000910
B4	SHEET 1: ADDED VIEW OF 2BAY DIFFERENET PIN INSERTION DIRCTION'S HEADER SHEET 2: ADDED NEW PART NUMBER	CO-000000910
B3	1. SHEET 1: UPDATED NOTES INFORMATION 2. SHEET 2: ADDED NEW PART NUMBER 34960-7281, 34960-0281, 34960-7291 3. SHEET 2: ADDED NEW PART NUMBER PIN CONFIGURATION INFORMATION 4. SHEET 3: ADDED DIM 3a, DIM 6a 5. SHEET 3: REMOVED DIM 2 , DIM 4, DIM5, DIM 7	663659
B2	1. OBSOLETE PART NUMBER: 34960-0210; 34960-0220; 34960-0240; 34960-0250 2. ADDED NEW DIMENSION ITEM 2a & 2b IN SHEET 3 3. ADDED SHEET 2 TO SHOW DEPOLULATED HEADER PIN CONFIGURATION AND DIMENSIONAL CHART FOR MULTIBAY CONFIGURATION 4. REMOVED BALLOON NUMBER:8,9,10,11 IN SHEET 3 5. ADDED HOLE DIMENSION F IN PCB LAYOUT IN SHEET 3	640173
B1	ADDED NEW PART NUMBER: 34960-0271 IN THE CHART ON SHEET 1	623488
B	1. OBSOLETE PART NO 349600230 2. ADDED NEW NUMBER: 34960-0261 IN THE CHART ON SHEET 1	618118
A10	ADDED NEW P/N: 34961-7261 IN THE BOM ON SHEET 1.	611155
A9	ADDED NEW P/N: 34960-0211 \ 34960-0221 \ 34960-0231 34960-0241\34960-0251 IN THE BOM ON SHEET 1. ADDED PRODUCT STATUS IN THE BOM ON SHEET 1.	606688

DIN 16901	CODE LETTER	NOMINAL DIMENSION RANGE													
		OVER UP TO	0	1	3	6	10	15	22	30	40	53	70	90	120
PRECISION ENGINEERING	A		±0.10	±0.12	±0.14	±0.16	±0.20	±0.22	±0.24	±0.26	±0.28	±0.31	±0.35	±0.40	±0.50
	B		±0.05	±0.06	±0.07	±0.08	±0.10	±0.12	±0.14	±0.16	±0.18	±0.21	±0.25	±0.30	±0.40

A: FOR NON-MOLD RELATED DIMENSIONS (ACROSS PARTING LINE)
B: FOR MOLD RELATED DIMENSIONS (WITHIN MOLD COMPONENTS)

INSPECTION BALLOON NUMBER LOG	
PER DRAWING REVISION:	B6
LAST BALLOON NUMBER USED:	6a
ADDED BALLOON NUMBERS:	
REMOVED BALLOON NUMBERS:	

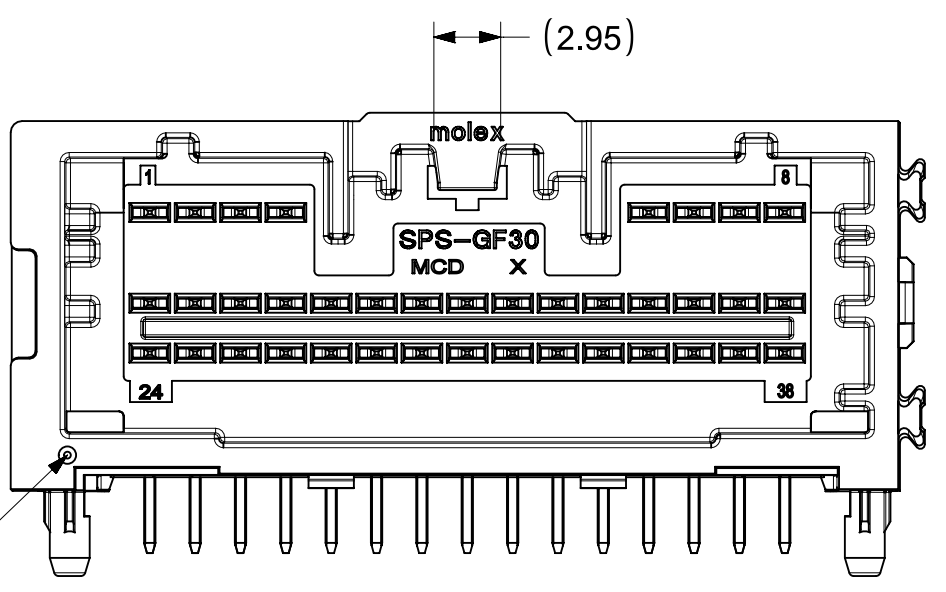
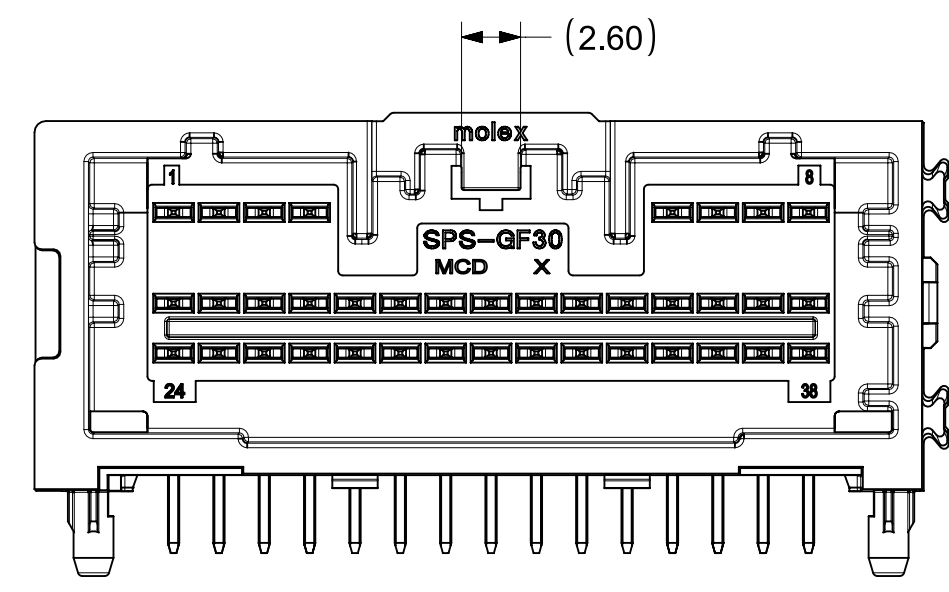
FUNCTIONAL SYMBOLS	THIS DRAWING CONTAINS INFORMATION THAT IS PROPRIETARY TO MOLEX ELECTRONIC TECHNOLOGIES, LLC AND SHOULD NOT BE USED WITHOUT WRITTEN PERMISSION		CURRENT REV DESC: REFER TO REVISION COLUMN	
FA = 0	DIMENSION UNITS: mm	SCALE: 5:1		
FC = 0	GENERAL TOLERANCES (UNLESS SPECIFIED)		PHASE: Design Production	
FD = 0	ANGULAR TOL ± 0.5°		CO NO: CO-000001013	
DIVISIONAL SYMBOLS	4 PLACES ±		DRWN: Shanks Wu	2022-05-23
	3 PLACES ±		CHK'D: Shanks Wu	2022-06-23
	2 PLACES ±		APPR: Colin Zhang	2022-07-08
	1 PLACE ±		INITIAL REVISION:	
	0 PLACES ±		DRWN: Shanks Wu	2022-04-25
			APPR: Colin Zhang	2022-05-05
DRAFT WHERE APPLICABLE MUST REMAIN WITHIN DIMENSIONS		THIRD ANGLE PROJECTION	DRAWING: D-SIZE	SERIES: 34960
			MATERIAL NUMBER	CUSTOMER: GENERAL MARKET
			DOCUMENT NUMBER: SD-34960-0200	
			DOC TYPE: PSD	DOC PART: 001
			REVISION: B6	
			SHEET NUMBER: 1 OF 4	

TABLE OF CONTENTS	
SHEET NO.	SHEET DESCRIPTION
3	CHART FOR MULTIBAY CONFIGURATION FOR UL94 V0 SHOW HB/V0 VERSION DIFFERENCE

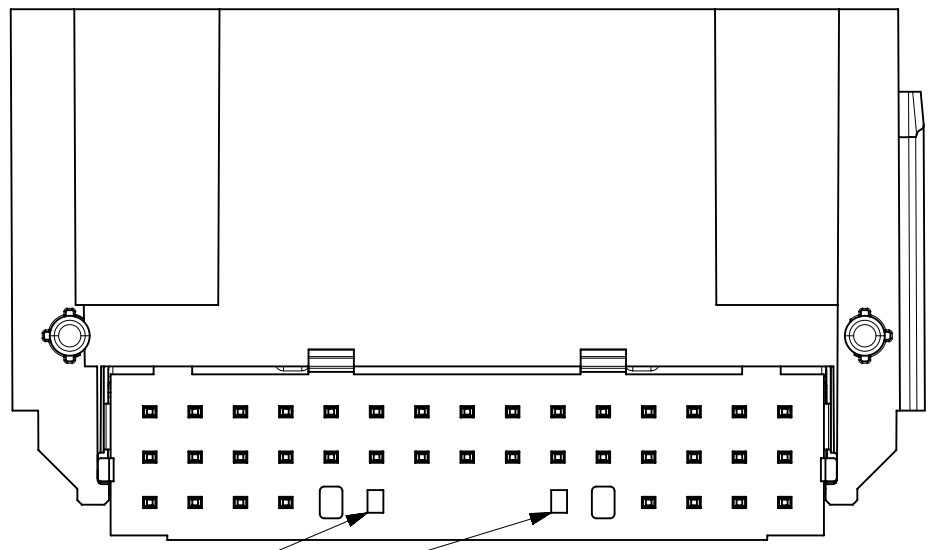
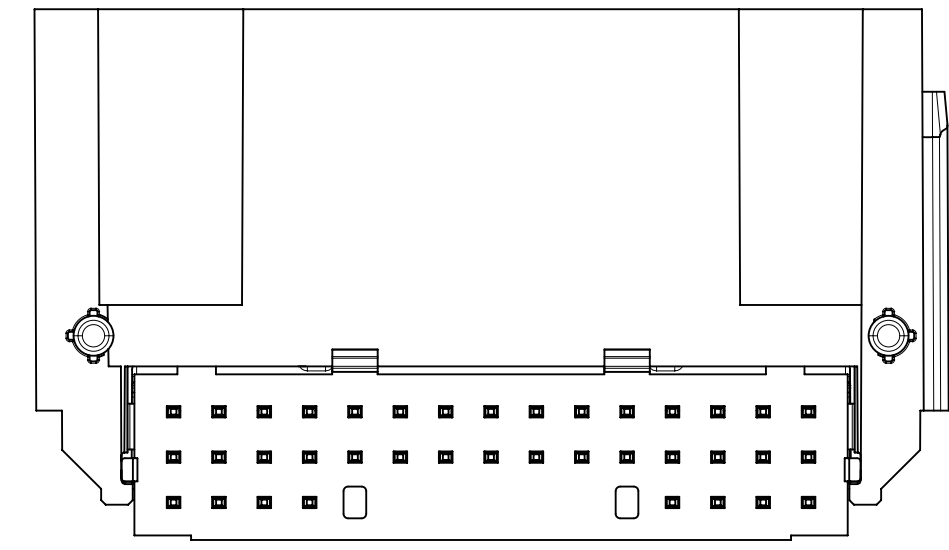
B6 CHART FOR MULTIBAY CONFIGURATION(V0 VERSION):

2 BAY PART NUMBER (TUBE PKG)	2 BAY PART NUMBER (TRAY PKG)	BAY A						BAY B						STATUS
		P/N	INTERFACE TYPE	POL	COLOR	QTY OF PINS	FLAMMABILITY UL94	P/N	INTERFACE TYPE	POL	COLOR	QTY OF PINS	FLAMMABILITY UL94	
TBD	3001960200	2133550383	38CKT	UPDATED A	BLACK	38	V0	2133550344	34CKT	B	GREY	34	V0	SALEABLE

B6 HB / V0 VERSION DIFFERENCE:



DEPRESSION FEATURE ADDED TO V0 PART TO DISTINGUISH FROM HB PART



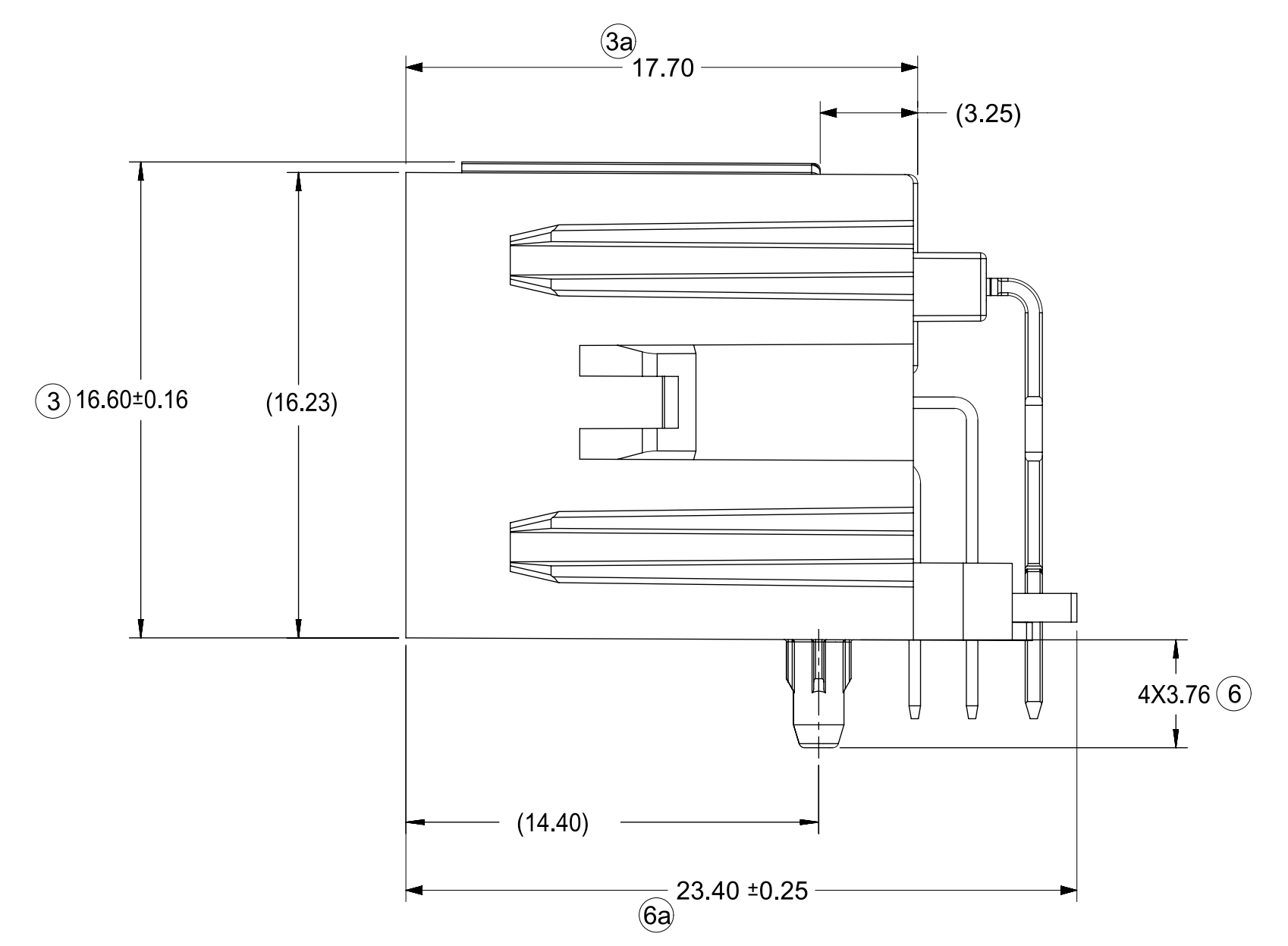
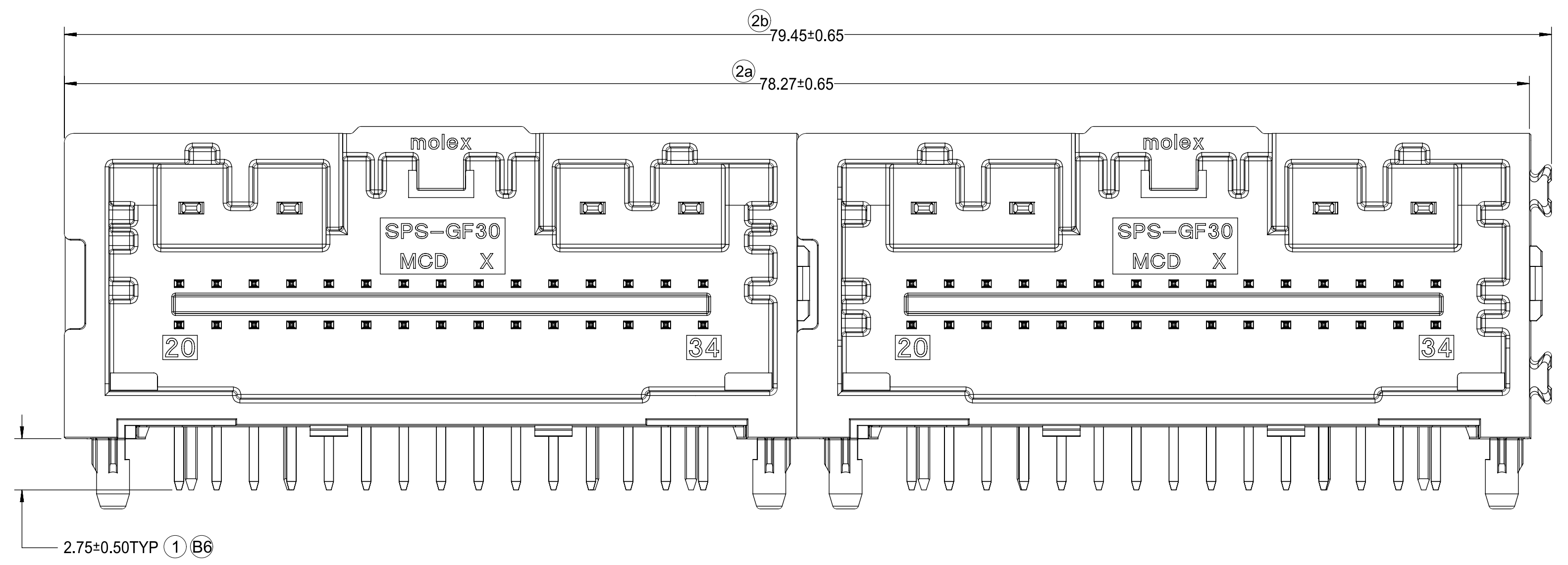
DEPRESSION FEATURE ADDED TO V0 PART TO DISTINGUISH FROM HB PART

V0 P/Ns: 213355XXXX
APPLIES TO ALL CKT SIZES,
USE 38CKT AS SHOWN

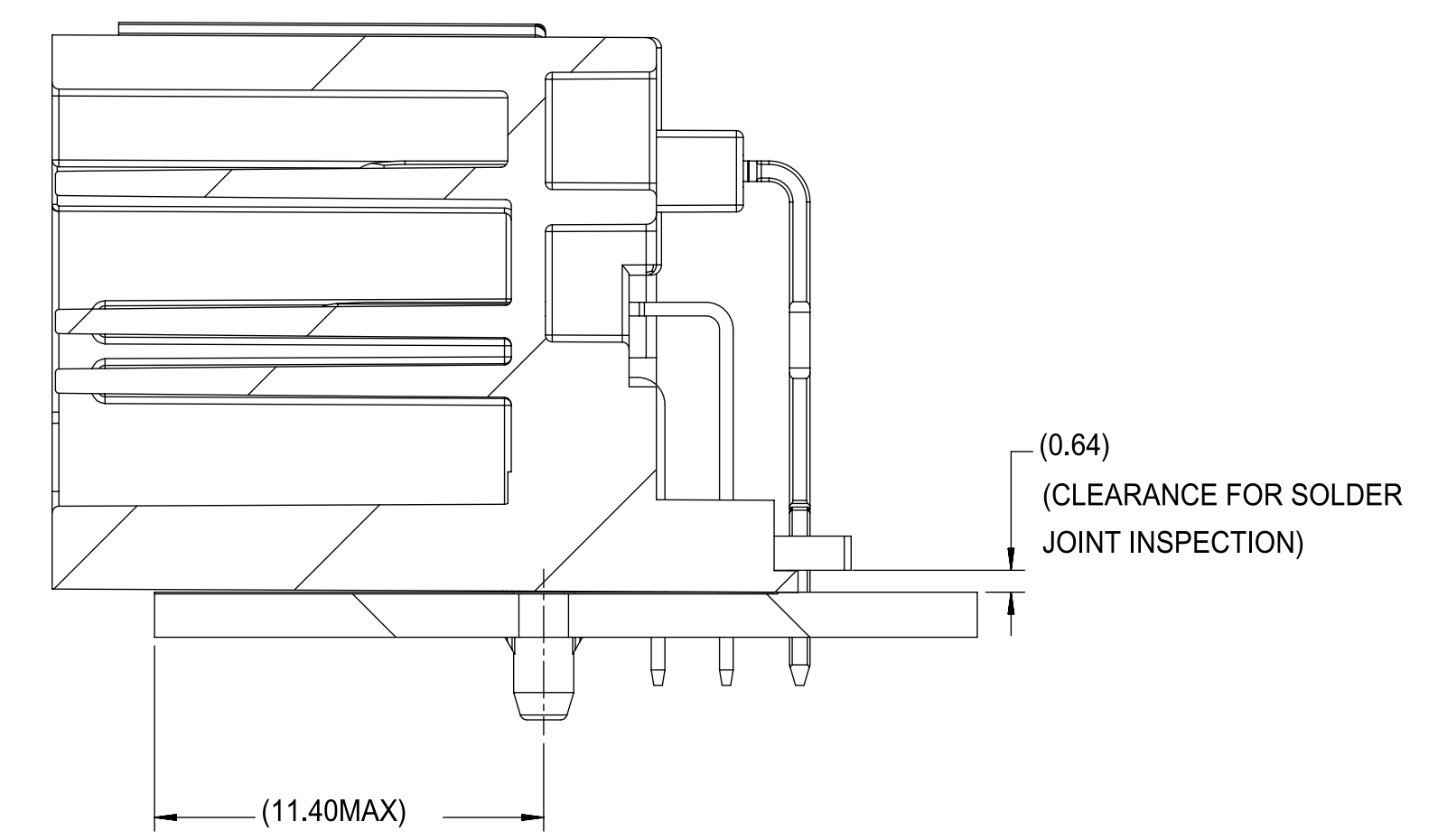
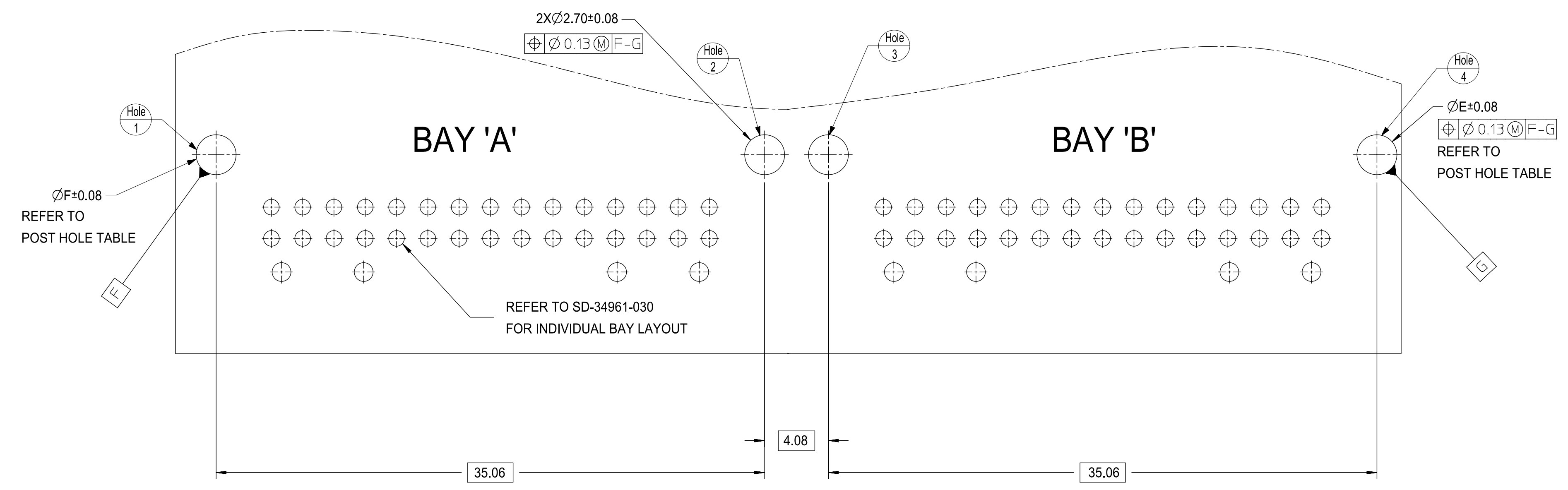
HB P/Ns: 34961XXXX
APPLIES TO ALL CKT SIZES,
USE 38CKT AS SHOWN

FUNCTIONAL SYMBOLS FA = 0 FC = 0 FP = 0 DIVISIONAL SYMBOLS	THIS DRAWING CONTAINS INFORMATION THAT IS PROPRIETARY TO MOLEX ELECTRONIC TECHNOLOGIES, LLC AND SHOULD NOT BE USED WITHOUT WRITTEN PERMISSION		CURRENT REV DESC: REFER TO REVISION COLUMN		
	DIMENSION UNITS	SCALE	PHASE: Design Production		
	mm	3:1	CO NO: CO-000001013		
	GENERAL TOLERANCES (UNLESS SPECIFIED)		DRWN: Shanks Wu 2022-05-23		
ANGULAR TOL ± 0.5°		CHK'D: Shanks Wu 2022-06-23		PRODUCT SALES DRAWING	
4 PLACES ±		APPR: Colin Zhang 2022-07-08		DOCUMENT NUMBER	
3 PLACES ±		INITIAL REVISION:		DOC TYPE DOC PART REVISION	
2 PLACES ±		DRWN: Shanks Wu 2022-04-25		SD-34960-0200	
1 PLACE ±		APPR: Colin Zhang 2022-05-05		PSD 001 B6	
0 PLACES ±		DRAFT WHERE APPLICABLE MUST REMAIN WITHIN DIMENSIONS		MATERIAL NUMBER	
THIRD ANGLE PROJECTION		DRAWING	SERIES	CUSTOMER	
		D-SIZE	34960	GENERAL MARKET	
				SHEET NUMBER	
				3 OF 4	

TABLE OF CONTENTS	
SHEET NO.	SHEET DESCRIPTION
4	DETAIL DIMENSION VIEW REFERENCE PCB LAYOUT



RECOMMENDED PCB LAYOUT



FLUSH MOUNTING
HEADER-TO-PCB

Partial1
SCALE 5:1

POST HOLE TABLE:

FOR DIM	E	F
PRESS FIT:	2.30	2.30
DROP IN:	2.85	2.65

FUNCTIONAL SYMBOLS FA = 0 FE = 0 FP = 0 DIVISIONAL SYMBOLS	THIS DRAWING CONTAINS INFORMATION THAT IS PROPRIETARY TO MOLEX ELECTRONIC TECHNOLOGIES, LLC AND SHOULD NOT BE USED WITHOUT WRITTEN PERMISSION		CURRENT REV DESC: REFER TO REVISION COLUMN		
	DIMENSION UNITS	SCALE	PHASE: Design Production		
	mm	1:1	CO NO: CO-000001013		
	GENERAL TOLERANCES (UNLESS SPECIFIED)		2022-05-23		
ANGULAR TOL ± 0.5°		DRWN: Shanks Wu			
4 PLACES ±		CHK'D: Shanks Wu			
3 PLACES ±		APPR: Colin Zhang			
2 PLACES ±		2022-07-08			
1 PLACE ±		INITIAL REVISION:			
0 PLACES ±		DRWN: Shanks Wu			
DRAFT WHERE APPLICABLE MUST REMAIN WITHIN DIMENSIONS		THIRD ANGLE PROJECTION		2022-04-25	
		DRAWING		2022-05-05	
		SERIES			
		D-SIZE			
		34960			
		MATERIAL NUMBER			
		CUSTOMER			
		GENERAL MARKET			
		SHEET NUMBER			
		4 OF 4			

molex

34 & 38 CKT MINI50 2-BAY
R/A HEADER ASSEMBLY SALES DRAWING

PRODUCT SALES DRAWING

DOCUMENT NUMBER	DOC TYPE	DOC PART	REVISION
SD-34960-0200	PSD	001	B6