

TPS65279V Buck Converter Evaluation Module User's Guide



ABSTRACT

This document is provided with the TPS65279V PMIC evaluation module (EVM) as a supplement to the TPS65279V datasheet. This user's guide includes the schematic, hardware setup, software installation and bill of materials (BOM).

Table of Contents

1 Introduction	2
2 Background	3
3 TPS65279V Schematic	4
4 Board Layout	5
5 Bench Test Setup Conditions	8
5.1 Header Description and Jumper Placement.....	8
5.2 Hardware Requirement.....	9
5.3 Hardware Setup.....	9
5.4 Installing Software.....	10
5.5 Software Operation.....	11
6 Power-Up Procedure	12
7 TPS65279V EVM Bill of Materials	13
8 Revision History	14

List of Figures

Figure 3-1. TPS65279V Schematic.....	4
Figure 4-1. Component Placement (Top Layer).....	5
Figure 4-2. Board Layout (Top Layer).....	6
Figure 4-3. Board Layout (Second Layer).....	6
Figure 4-4. Board Layout (Third Layer).....	7
Figure 4-5. Board Layout (Bottom Layer).....	7
Figure 5-2. USB Interface Adapter Quick Connection Diagram.....	10
Figure 5-3. Screen Capture of TPS65279V Software GUI Interface.....	11

List of Tables

Table 2-1. Summary of Performance.....	3
Table 5-1. Input/Output Connection.....	8
Table 5-2. Jumpers and Switches.....	9
Table 7-1. TPS65279V EVM Bill of Materials.....	13

Trademarks

Windows®, Microsoft®, and Internet Explorer® are registered trademarks of Microsoft Corporation.

VeriSign® is a registered trademark of VeriSign, Inc.

All trademarks are the property of their respective owners.

1 Introduction

This document presents the information required to operate the TPS65279V PMIC as well as the support documentation including schematic, layout, hardware setup, software installation and bill of materials.

2 Background

The TPS65279V PMIC is designed to provide dual 5 A of continuous currents with an operational range of 4.5 to 18 V. The TPS65279V features I²C controlled voltage identification (VID) and the output voltage can be set by I²C from 0.68 V to 1.95 V. Without I²C, voltage can also be programmed by an external resistor divider. The TPS65279V features externally programmed switching frequency ranging from 200 kHz to 1.6 MHz, external compensation, soft-start and enable.

As there are many possible options to set the converters, [Table 2-1](#) presents the performance specification summary for the EVM.

Table 2-1. Summary of Performance

Test Conditions	Performance
V _{in} = 4.5 V to 18 V	Buck1 : 1.0 V, up to 5 A, VID control
f _{sw} = 500 kHz (25°C ambient)	Buck2 : 1.1 V, up to 5 A, VID control

The EVM is designed to provide access to the features of the TPS65279V. Some modifications can be made to this module to test performance at different input and output voltages, current and switching frequency. Please contact TI Field Applications Group for advice on these matters.

3 TPS65279V Schematic

Figure 3-1 shows the TPS65279V PMIC EVM schematic.

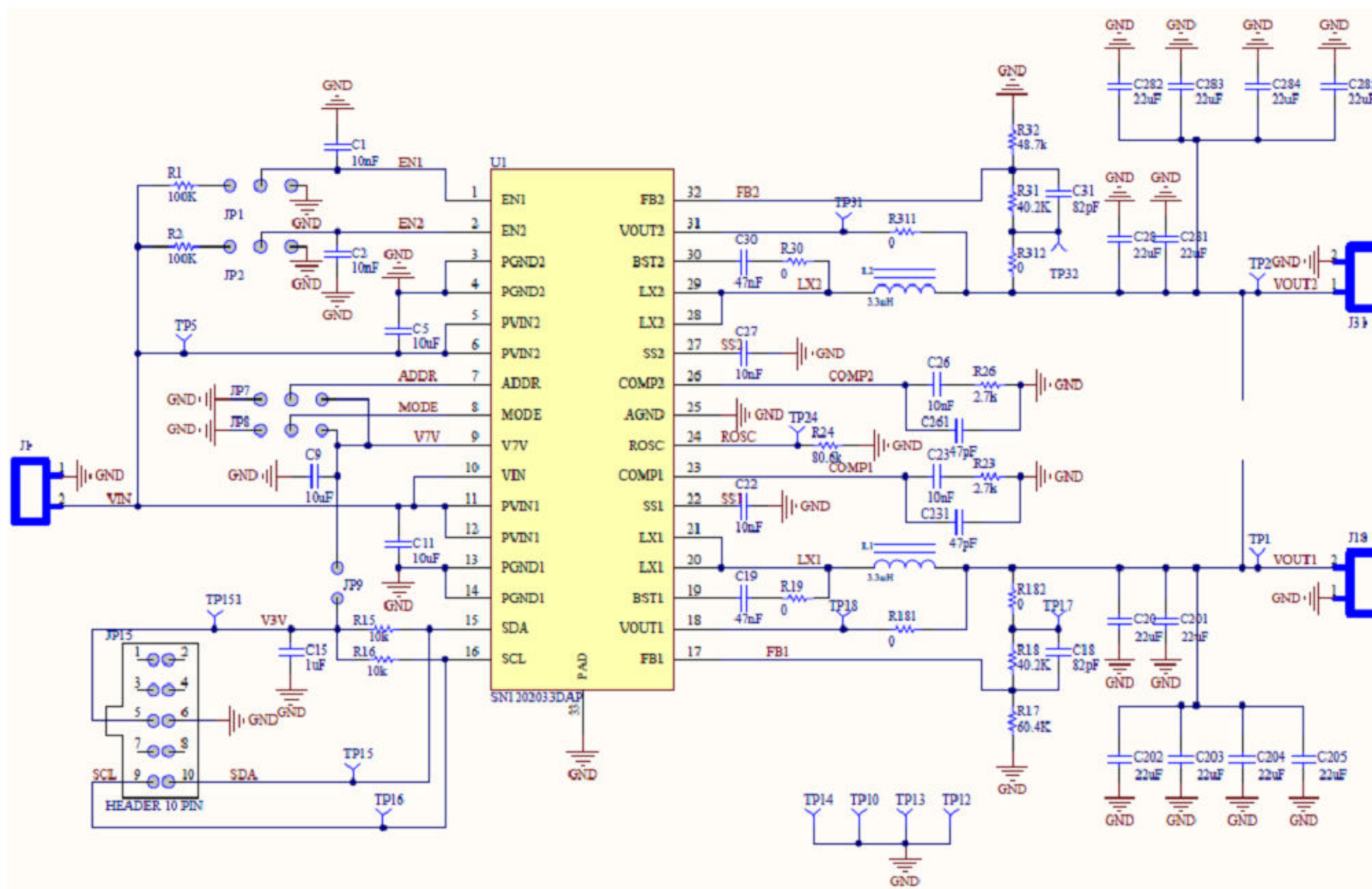


Figure 3-1. TPS65279V Schematic

4 Board Layout

Figure 4-1 through Figure 4-5 illustrate the printed-circuit boards for this EVM.

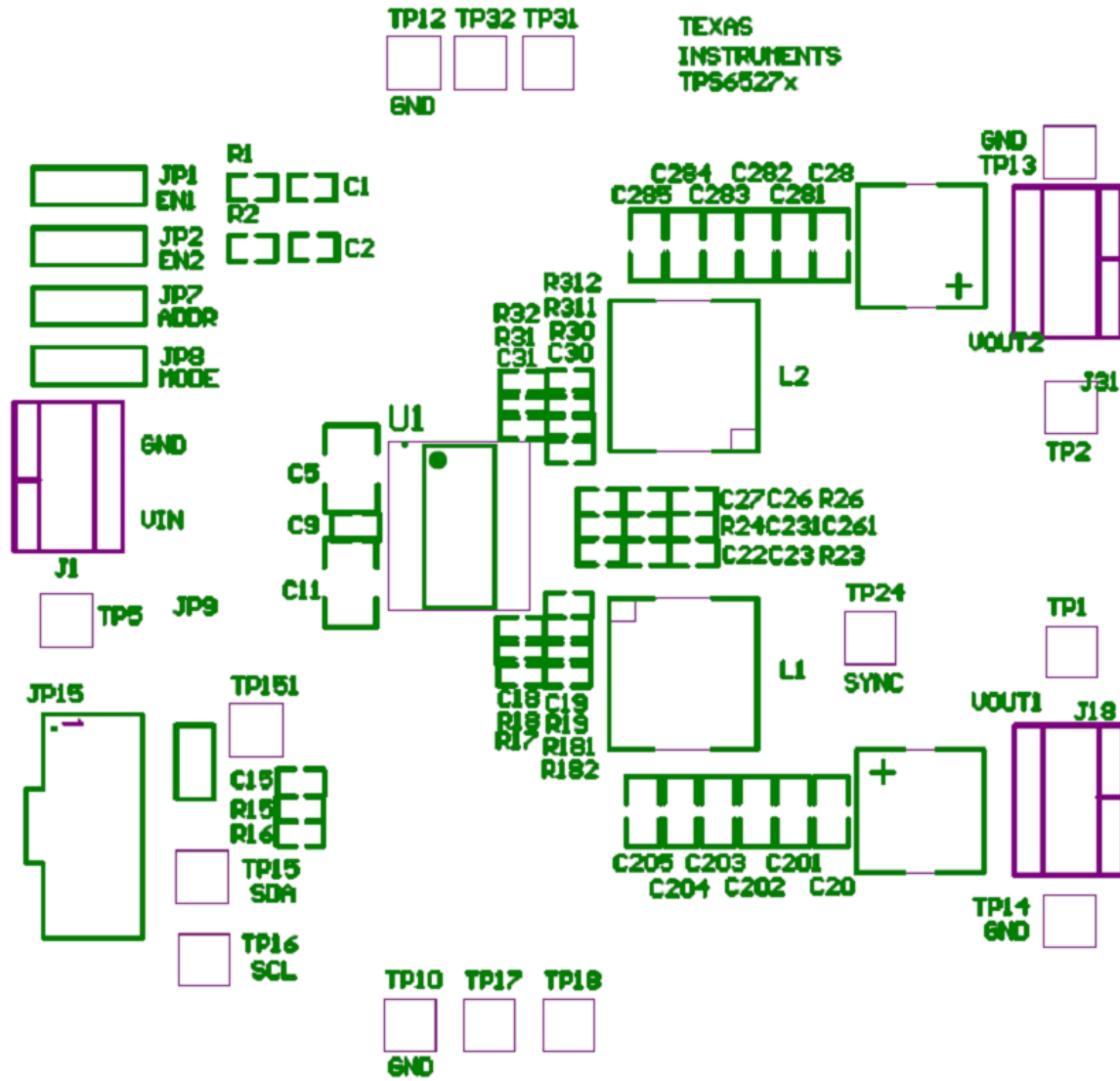


Figure 4-1. Component Placement (Top Layer)

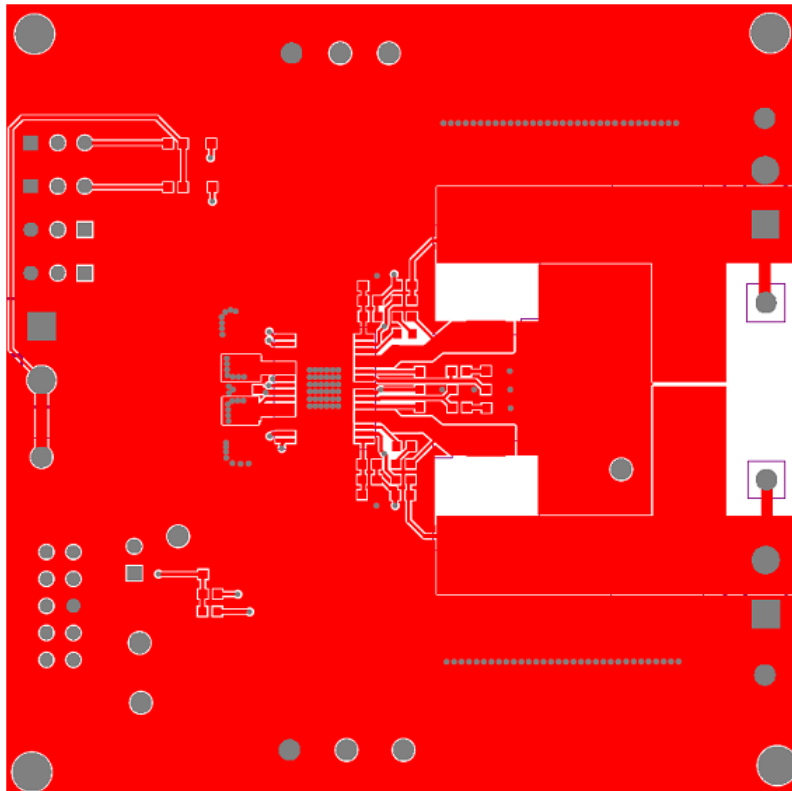


Figure 4-2. Board Layout (Top Layer)

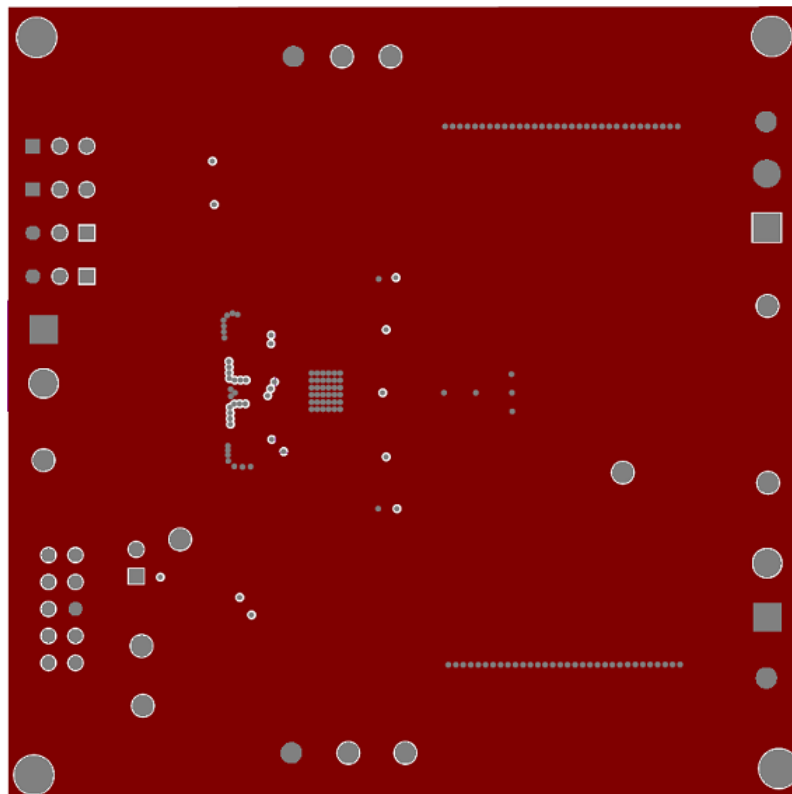


Figure 4-3. Board Layout (Second Layer)

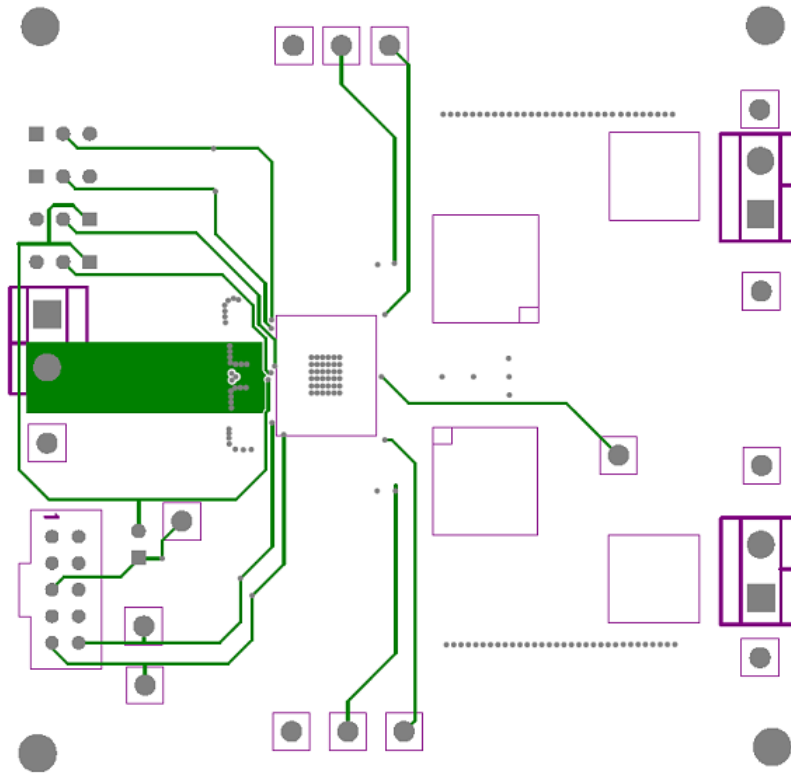


Figure 4-4. Board Layout (Third Layer)

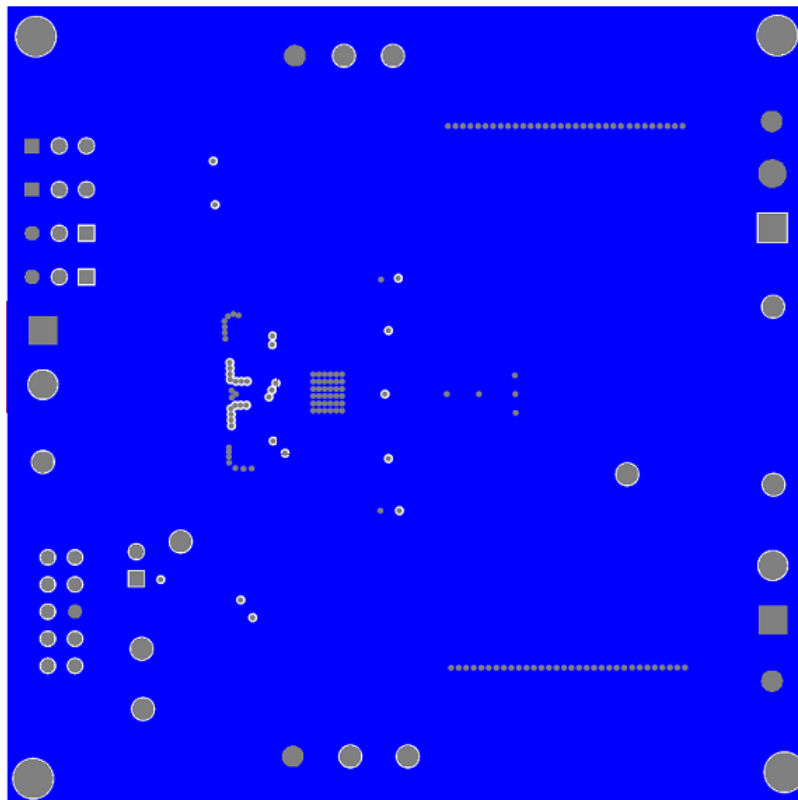
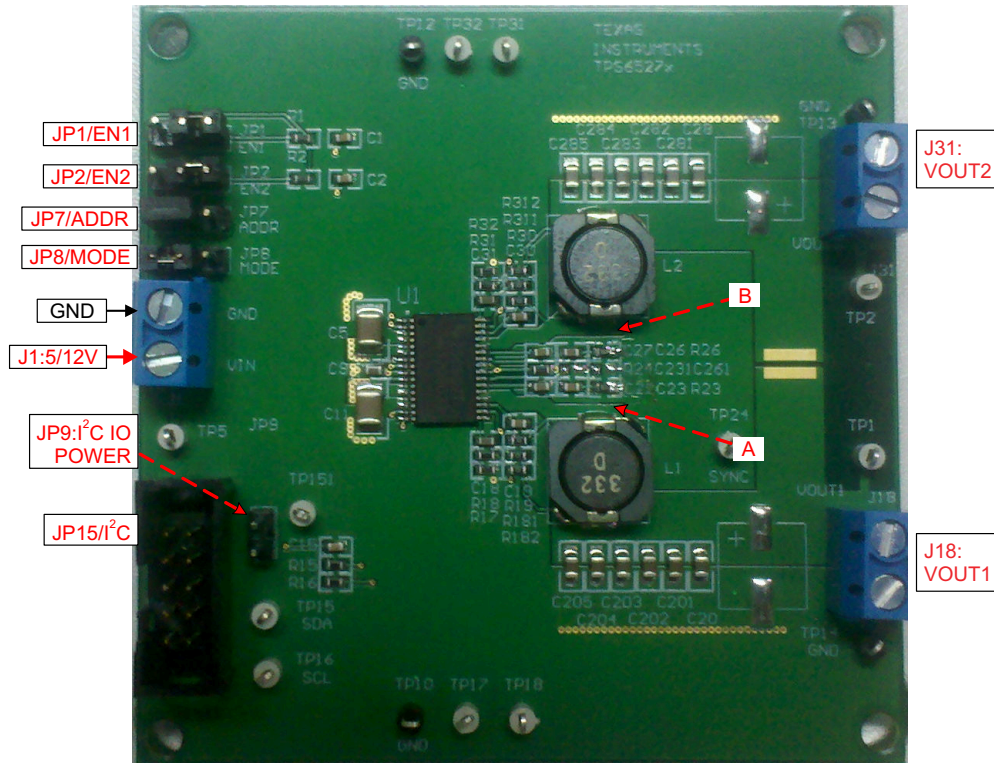


Figure 4-5. Board Layout (Bottom Layer)

5 Bench Test Setup Conditions

5.1 Header Description and Jumper Placement

Figure 5-1 illustrates the header description and jumper placement for the EVM.



Test points:

- A: LX of Vout1
- B: LX of Vout2
- Vout1, Vout2

Figure 5-1. Header Description and Jumper Placement

Table 5-1 shows the I/O connections for the EVM.

Table 5-1. Input/Output Connection

Jumper Number	Function	Description
J1	Vin Connector	Apply power supply to this connector
J18	Buck1 Connector	Output of Buck1
J31	Buck2 Connector	Output of Buck2

Table 5-2 shows the jumpers and switches for the EVM.

Table 5-2. Jumpers and Switches

Jumper Number	Function	Placement	Comment
JP1	Buck1 enable (EN1)	Connect EN1 to GND to disable Vout1, connect EN1 to Vin through a 100-kΩ resistor to enable Vout1; Leave open to enable Vout1	
JP2	Buck2 enable (EN2)	Connect EN2 to GND to disable Vout2, connect EN2 to Vin through a 100-kΩ resistor to enable Vout2; Leave open to enable Vout2	
JP7	I ² C address	I ² C address configuration pin. Connect this pin to GND to set address 0x60H; connect it to Vcc to set address 0x61H; leave it open to set address 0x62H	On board Vcc is 6.25 V
JP8	Mode	Operation mode control pin. Connect this pin to GND to set forced PWM mode; leave the pin open to set auto PSM-PWM; connect this pin to Vcc set the IC to run in current share mode.	
JP9	I ² C Power	Power connected to the I ² C IO pull-up resistor; Leave the two pins un-connected set the power to be 3.3V from the I ² C interface adaptor; short the two pins set the power to be Vcc.	On board Vcc is 6.25 V
JP15	I ² C interface connector	Pin 5 is 3.3 V from adaptor; pin 6 is Ground; pin 9 is SCL, pin 10 is SDA.	

5.2 Hardware Requirement

This EVM requires an external power supply capable of providing 4.5 V to 18 V at 7 A.

A function generator capable of driving the SYNC pin with 0.4- to 3.3-V amplitude and a 200-kHz to 1.6-MHz square wave signal is required for synchronization. The EVM kit includes a USB-TO-GPIO interface box which, when installed on a PC and connected to the EVM, allows communication with the EVM via a GUI interface. The minimum PC requirements are:

- Windows® 2000 or Windows XP operating system
- USB port
- Minimum of 30 MB of free hard disk space (100 MB recommended)
- Minimum of 256 MB of RAM

5.3 Hardware Setup

After connecting the power supply to J1, turn on the power supply, and connect JP1 to Vin through a 100-kΩ resistor, connect JP2 to Vin through a 100-kΩ resistor, connect JP7 to GND, connect JP8 to GND, the EVM will regulate the output voltages to the values shown in Table 2-1. Additional input capacitance may be required in order to mitigate the inductive voltage droop that may occur during a load transient event.

The output voltage is changed by sending the digital control signal via a PC running the TPS65279V controller software and USB-TO-GPIO interface box. Change the output voltage with the following steps:

- Connect one end of the USB-TO-GPIO box to the PC using the USB cable and the other end to JP15 of the TPS65279V using the supplied 10-pin ribbon cable as shown in Figure 5-2. The connectors on the ribbon cable are keyed to prevent incorrect installation.
- Connect the power supply on J1, and turn on the power supply.
- Run the software as explained in the next section.

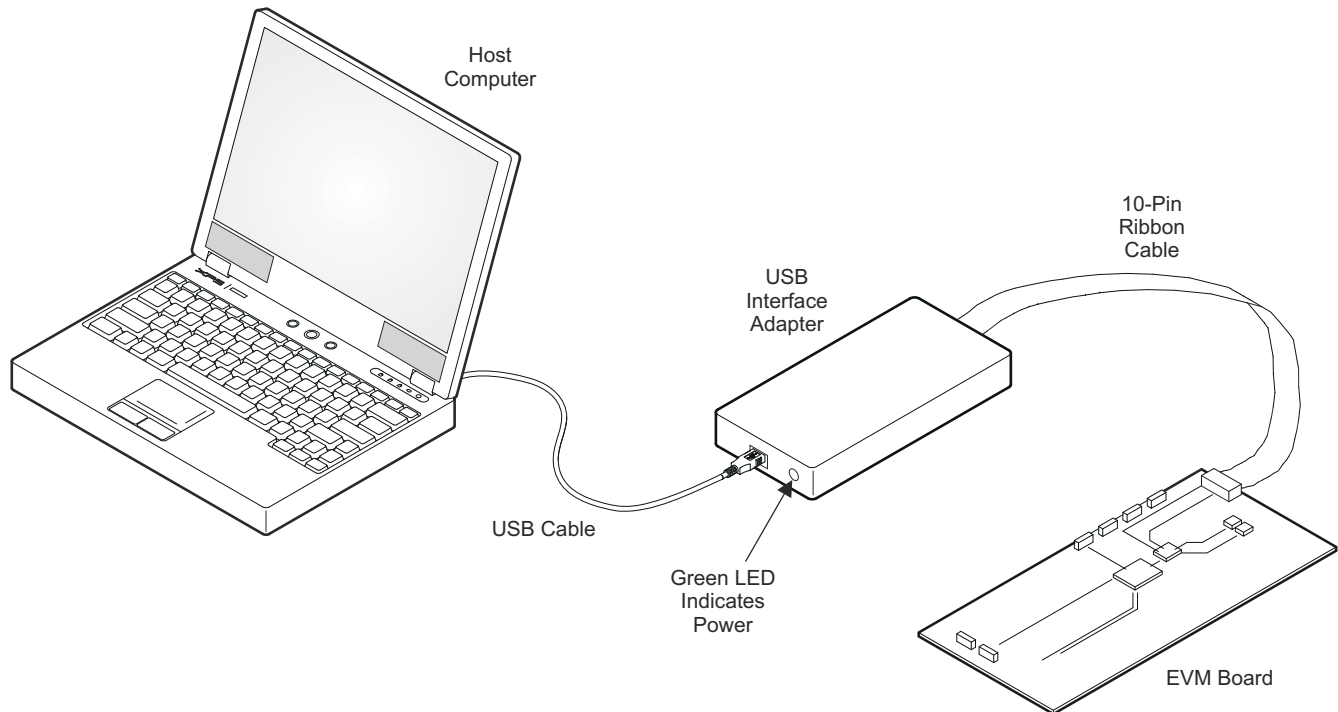


Figure 5-2. USB Interface Adapter Quick Connection Diagram

5.4 Installing Software

If installing from the TI Web site, go to www.ti.com.

Note: This installation page is best viewed with the Microsoft® Internet Explorer® browser (It may not work correctly with other browsers)

Click on the install button; your PC should give you a security warning and ask if you want to install this application. Select Install to proceed. If a pre-release or Beta version is currently installed on your PC, you must uninstall this version of the software before installing the final version.

To run the software after installation, go to Start → All programs → Texas Instruments → TPS65279V EVM Software.

At start-up, the software first checks the firmware version of the USB-TO-GPIO adapter box. If an incorrect firmware version is installed, the software automatically searches on the internet (if connected) for updates. If a new update is available, the software gives notification of the update, and downloads and installs the software. Note that after the firmware is updated the USB cable between the adapter and PC must be disconnected and then reconnected, as instructed during the install process. The host PC software also automatically searches on the internet (if connected) for updates. If a new update is available, the software gives notification of the update and downloads and installs it. During future use of the software, a prompt may be given to install a new version, if one becomes available.

Note

VeriSign® Code Signing is used to prevent any malicious code from changing this application. If at any time in the future the binaries are modified, the code will no longer attempt to run.

5.5 Software Operation

This section provides descriptions of the EVM software.

The supplied software is used to communicate with the TPS65279V EVM. Click on the icon on the host computer to start the software. The software displays the main control panel for the user interface (Figure 5-3).

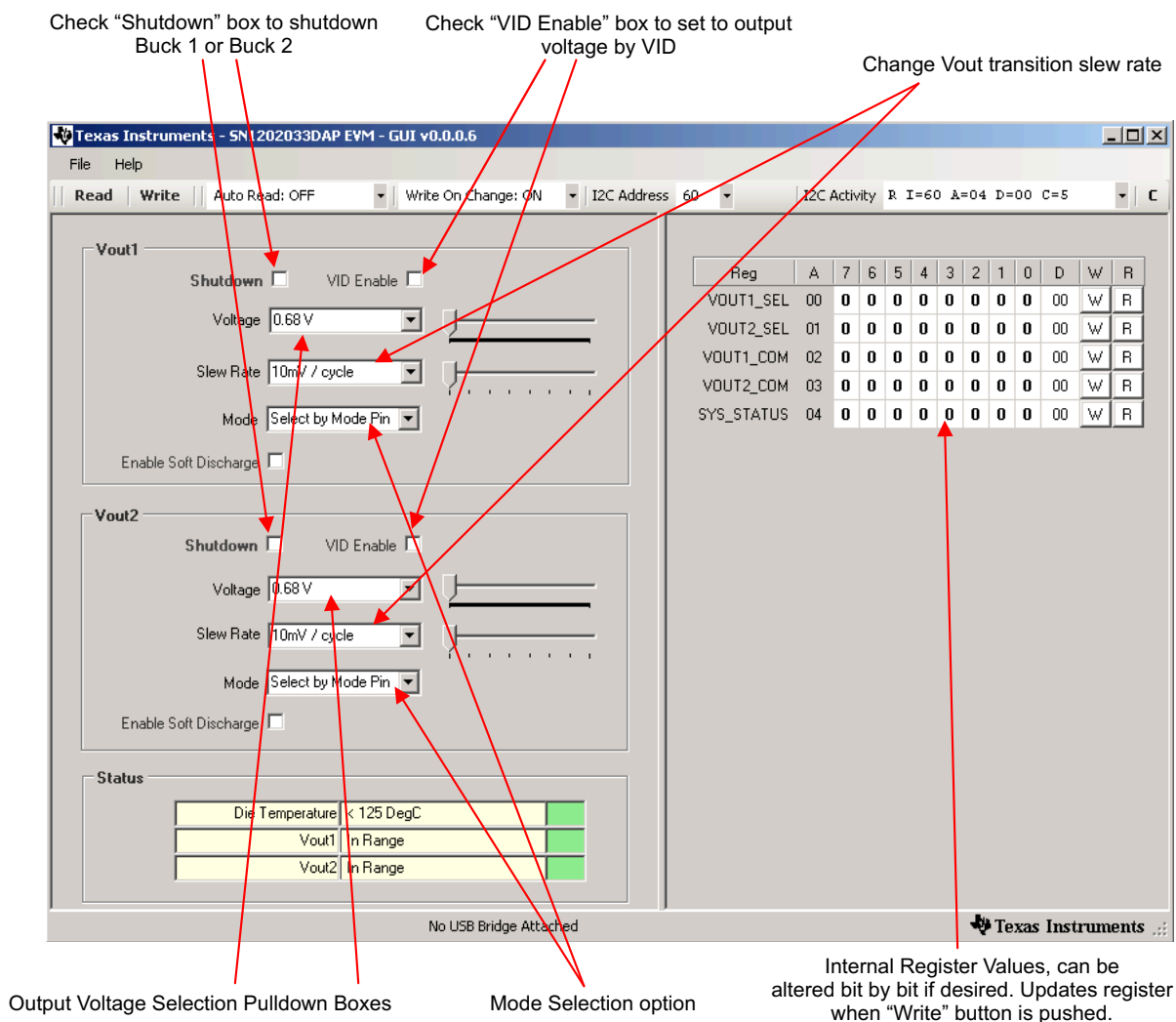


Figure 5-3. Screen Capture of TPS65279V Software GUI Interface

Figure 5-3 shows the GUI control interface. There are five 8-bit registers embedded in TPS65279V, two to select the output voltage, two to configure the buck converter's operation, and one for status feedback. Changes are made by selecting and checking the components in the GUI on the left hand side and can also be made by directly clicking the bits of each register. I²C address is set to default 0x60H, this address is corresponding to the EVM jumper JP7 to connect to GND. Changing the I²C address requires that the EVM be configured accordingly.

An option is to "write on change", if this option is set to ON, any change is sent to the EVM immediately; if this option is set to OFF, "Write" button or "W" button for each register must be clicked to send the control signal.

Register values can be read back from the EVM by clicking "Read" or "R" for each register.

6 Power-Up Procedure

Use the following steps to power-up the EVM:

1. Connect I²C adaptor to JP15
2. Apply 4.5 V to J1
3. Toggle JP1 or JP2 to enable Vout1 and Vout2, respectively
4. Apply loads to the output connectors.

7 TPS65279V EVM Bill of Materials

Table 7-1 is the BOM for the EVM.

Table 7-1. TPS65279V EVM Bill of Materials

#	Value	Qty	Designator	Footprint	MFG	MFG Part Number	Description
1	10nF	2	C1, C2	0603	Generic		CAP 10nF 50V CERAMIC X7R 0603
2	10nF	4	C22, C23, C26, C27	0603	Generic		CAP 10nF 50V CERAMIC X7R 0603
3	10uF	2	C5, C11	1210	Panasonic -ECG	ECJ-4YB1E106M	CAP 10UF 25V CERAMIC X5R 1210
4	10uF	1	C9	0603	Panasonic -ECG	ECJ-1VB1A106M	CAP 10UF 10V CERAMIC X5R 0603
5	1uF	1	C15	0603	Generic		CAP 1UF 10V CERAMIC X5R 0603
6	82pF	2	C18, C31	0603	Generic		CAP 82pF 50V CERAMIC X7R 0603
7	47nF	2	C19, C30	0603	Generic		CAP 47nF 50V CERAMIC X7R 0603
8	22uF	12	C20, C28, C201, C202, C203, C204, C205, C281, C282, C283, C284, C285	0805	TDK	C2012X6S0J226M	CAP CER 22UF 6.3V 20% X6S 0805
9 ⁽³⁾	470uF	DNI	C204, C284	E_CAP_D8_L6.7	Nichicon	RHA0J471MCN1GS	CAP ALUM 470UF 6.3V 20% SMD
10	47pF	DNI	C231, C261	0603	Generic		CAP 47pF 50V CERAMIC X7R 0603
11 ⁽³⁾	ED500/2DS	3	J1, J18, J31	TB_2X5.0MM	OnShore Technology Inc	ED500/2DS	Terminal Block, 2-pin, 15-A, 5.0mm
12	HEADER 3 PIN	4	JP1, JP2, JP7, JP8	JMP0.3	Mil-Max	800-10-064-10-001000	Three Pin Header
13	HEADER 2 PIN ⁽⁴⁾	1	JP9	JMP0.2	Mil-Max	800-10-064-10-001000	Two Pin Header
14	HEADER 10 PIN ⁽⁵⁾	1	JP15,	HEADER10	3M	N2510-6002-RB	Ten Pin Header
15	3.3uH	2	L1, L2	IND3	Coilcraft	MSS1048-332NLB	SMT power inductor
16	100K	2	R1, R2	0603	Generic		RES 100k OHM 1/10W 1% 0603 SMD
17	100K	1	R24	0603	Generic		RES 100k OHM 1/10W 1% 0603 SMD
18	10k	2	R15, R16	0603	Generic		RES 10k OHM 1/10W 1% 0603 SMD
19	60.4K	1	R17	0603	Generic		RES 60.4k OHM 1/10W 1% 0603 SMD
20	40.2K	2	R18, R31	0603	Generic		RES 40.2k OHM 1/10W 1% 0603 SMD
21	0	6	R19, R30, R181, R182, R311, R312	0603	Generic		RES 0 OHM 1/10W 1% 0603 SMD
22	3.74k	2	R23, R26	0603	Generic		RES 3.7k OHM 1/10W 1% =0603 SMD
23	48.7k	1	R32	0603	Generic		RES 48.7k OHM 1/10W 1% 0603 SMD
24	Test Point White	11	TP1, TP2, TP5, TP15, TP16, TP17, TP18, TP24, TP31, TP32, TP151	TP	Keystone	5002	TEST POINT PC MINI .040"D WHITE
25	Test Point Black	4	TP10, TP12, TP13, TP14	TP	Keystone	5001	TEST POINT PC MINI .040"D BLACK
26 ⁽²⁾		4					Jumper, 2.54mm, applied on item 13
27 ⁽¹⁾		4			3M	SJ-5303 (CLEAR)	BUMPON HEMISPHERE .44X.20 CLEAR
28		1	U1		Texas Instruments	TPS65279V	

- (1) Install item 27 on bottom at corners
- (2) Install item 26 on item 13 no order - be consistent
- (3) Item 9, 11: optional
- (4) Item 13: split into 3 pins
- (5) Item 14: split into 2 pins

8 Revision History

NOTE: Page numbers for previous revisions may differ from page numbers in the current version.

Changes from Revision * (February 2013) to Revision A (May 2021)	Page
• Updated user's guide title.....	2
• Updated the numbering format for tables, figures, and cross-references throughout the document.	2

STANDARD TERMS FOR EVALUATION MODULES

1. *Delivery:* TI delivers TI evaluation boards, kits, or modules, including any accompanying demonstration software, components, and/or documentation which may be provided together or separately (collectively, an "EVM" or "EVMs") to the User ("User") in accordance with the terms set forth herein. User's acceptance of the EVM is expressly subject to the following terms.
 - 1.1 EVMs are intended solely for product or software developers for use in a research and development setting to facilitate feasibility evaluation, experimentation, or scientific analysis of TI semiconductors products. EVMs have no direct function and are not finished products. EVMs shall not be directly or indirectly assembled as a part or subassembly in any finished product. For clarification, any software or software tools provided with the EVM ("Software") shall not be subject to the terms and conditions set forth herein but rather shall be subject to the applicable terms that accompany such Software
 - 1.2 EVMs are not intended for consumer or household use. EVMs may not be sold, sublicensed, leased, rented, loaned, assigned, or otherwise distributed for commercial purposes by Users, in whole or in part, or used in any finished product or production system.
2. *Limited Warranty and Related Remedies/Disclaimers:*
 - 2.1 These terms do not apply to Software. The warranty, if any, for Software is covered in the applicable Software License Agreement.
 - 2.2 TI warrants that the TI EVM will conform to TI's published specifications for ninety (90) days after the date TI delivers such EVM to User. Notwithstanding the foregoing, TI shall not be liable for a nonconforming EVM if (a) the nonconformity was caused by neglect, misuse or mistreatment by an entity other than TI, including improper installation or testing, or for any EVMs that have been altered or modified in any way by an entity other than TI, (b) the nonconformity resulted from User's design, specifications or instructions for such EVMs or improper system design, or (c) User has not paid on time. Testing and other quality control techniques are used to the extent TI deems necessary. TI does not test all parameters of each EVM. User's claims against TI under this Section 2 are void if User fails to notify TI of any apparent defects in the EVMs within ten (10) business days after delivery, or of any hidden defects with ten (10) business days after the defect has been detected.
 - 2.3 TI's sole liability shall be at its option to repair or replace EVMs that fail to conform to the warranty set forth above, or credit User's account for such EVM. TI's liability under this warranty shall be limited to EVMs that are returned during the warranty period to the address designated by TI and that are determined by TI not to conform to such warranty. If TI elects to repair or replace such EVM, TI shall have a reasonable time to repair such EVM or provide replacements. Repaired EVMs shall be warranted for the remainder of the original warranty period. Replaced EVMs shall be warranted for a new full ninety (90) day warranty period.

WARNING

Evaluation Kits are intended solely for use by technically qualified, professional electronics experts who are familiar with the dangers and application risks associated with handling electrical mechanical components, systems, and subsystems.

User shall operate the Evaluation Kit within TI's recommended guidelines and any applicable legal or environmental requirements as well as reasonable and customary safeguards. Failure to set up and/or operate the Evaluation Kit within TI's recommended guidelines may result in personal injury or death or property damage. Proper set up entails following TI's instructions for electrical ratings of interface circuits such as input, output and electrical loads.

NOTE:

EXPOSURE TO ELECTROSTATIC DISCHARGE (ESD) MAY CAUSE DEGRADATION OR FAILURE OF THE EVALUATION KIT; TI RECOMMENDS STORAGE OF THE EVALUATION KIT IN A PROTECTIVE ESD BAG.

3 Regulatory Notices:

3.1 United States

3.1.1 Notice applicable to EVMs not FCC-Approved:

FCC NOTICE: This kit is designed to allow product developers to evaluate electronic components, circuitry, or software associated with the kit to determine whether to incorporate such items in a finished product and software developers to write software applications for use with the end product. This kit is not a finished product and when assembled may not be resold or otherwise marketed unless all required FCC equipment authorizations are first obtained. Operation is subject to the condition that this product not cause harmful interference to licensed radio stations and that this product accept harmful interference. Unless the assembled kit is designed to operate under part 15, part 18 or part 95 of this chapter, the operator of the kit must operate under the authority of an FCC license holder or must secure an experimental authorization under part 5 of this chapter.

3.1.2 For EVMs annotated as FCC – FEDERAL COMMUNICATIONS COMMISSION Part 15 Compliant:

CAUTION

This device complies with part 15 of the FCC Rules. Operation is subject to the following two conditions: (1) This device may not cause harmful interference, and (2) this device must accept any interference received, including interference that may cause undesired operation.

Changes or modifications not expressly approved by the party responsible for compliance could void the user's authority to operate the equipment.

FCC Interference Statement for Class A EVM devices

NOTE: This equipment has been tested and found to comply with the limits for a Class A digital device, pursuant to part 15 of the FCC Rules. These limits are designed to provide reasonable protection against harmful interference when the equipment is operated in a commercial environment. This equipment generates, uses, and can radiate radio frequency energy and, if not installed and used in accordance with the instruction manual, may cause harmful interference to radio communications. Operation of this equipment in a residential area is likely to cause harmful interference in which case the user will be required to correct the interference at his own expense.

FCC Interference Statement for Class B EVM devices

NOTE: This equipment has been tested and found to comply with the limits for a Class B digital device, pursuant to part 15 of the FCC Rules. These limits are designed to provide reasonable protection against harmful interference in a residential installation. This equipment generates, uses and can radiate radio frequency energy and, if not installed and used in accordance with the instructions, may cause harmful interference to radio communications. However, there is no guarantee that interference will not occur in a particular installation. If this equipment does cause harmful interference to radio or television reception, which can be determined by turning the equipment off and on, the user is encouraged to try to correct the interference by one or more of the following measures:

- Reorient or relocate the receiving antenna.
- Increase the separation between the equipment and receiver.
- Connect the equipment into an outlet on a circuit different from that to which the receiver is connected.
- Consult the dealer or an experienced radio/TV technician for help.

3.2 Canada

3.2.1 For EVMs issued with an Industry Canada Certificate of Conformance to RSS-210 or RSS-247

Concerning EVMs Including Radio Transmitters:

This device complies with Industry Canada license-exempt RSSs. Operation is subject to the following two conditions:

(1) this device may not cause interference, and (2) this device must accept any interference, including interference that may cause undesired operation of the device.

Concernant les EVMs avec appareils radio:

Le présent appareil est conforme aux CNR d'Industrie Canada applicables aux appareils radio exempts de licence. L'exploitation est autorisée aux deux conditions suivantes: (1) l'appareil ne doit pas produire de brouillage, et (2) l'utilisateur de l'appareil doit accepter tout brouillage radioélectrique subi, même si le brouillage est susceptible d'en compromettre le fonctionnement.

Concerning EVMs Including Detachable Antennas:

Under Industry Canada regulations, this radio transmitter may only operate using an antenna of a type and maximum (or lesser) gain approved for the transmitter by Industry Canada. To reduce potential radio interference to other users, the antenna type and its gain should be so chosen that the equivalent isotropically radiated power (e.i.r.p.) is not more than that necessary for successful communication. This radio transmitter has been approved by Industry Canada to operate with the antenna types listed in the user guide with the maximum permissible gain and required antenna impedance for each antenna type indicated. Antenna types not included in this list, having a gain greater than the maximum gain indicated for that type, are strictly prohibited for use with this device.

Concernant les EVMs avec antennes détachables

Conformément à la réglementation d'Industrie Canada, le présent émetteur radio peut fonctionner avec une antenne d'un type et d'un gain maximal (ou inférieur) approuvé pour l'émetteur par Industrie Canada. Dans le but de réduire les risques de brouillage radioélectrique à l'intention des autres utilisateurs, il faut choisir le type d'antenne et son gain de sorte que la puissance isotrope rayonnée équivalente (p.i.r.e.) ne dépasse pas l'intensité nécessaire à l'établissement d'une communication satisfaisante. Le présent émetteur radio a été approuvé par Industrie Canada pour fonctionner avec les types d'antenne énumérés dans le manuel d'usage et ayant un gain admissible maximal et l'impédance requise pour chaque type d'antenne. Les types d'antenne non inclus dans cette liste, ou dont le gain est supérieur au gain maximal indiqué, sont strictement interdits pour l'exploitation de l'émetteur.

3.3 Japan

3.3.1 *Notice for EVMs delivered in Japan:* Please see http://www.tij.co.jp/lstds/ti_ja/general/eStore/notice_01.page 日本国内に輸入される評価用キット、ボードについては、次のところをご覧ください。
http://www.tij.co.jp/lstds/ti_ja/general/eStore/notice_01.page

3.3.2 *Notice for Users of EVMs Considered "Radio Frequency Products" in Japan:* EVMs entering Japan may not be certified by TI as conforming to Technical Regulations of Radio Law of Japan.

If User uses EVMs in Japan, not certified to Technical Regulations of Radio Law of Japan, User is required to follow the instructions set forth by Radio Law of Japan, which includes, but is not limited to, the instructions below with respect to EVMs (which for the avoidance of doubt are stated strictly for convenience and should be verified by User):

1. Use EVMs in a shielded room or any other test facility as defined in the notification #173 issued by Ministry of Internal Affairs and Communications on March 28, 2006, based on Sub-section 1.1 of Article 6 of the Ministry's Rule for Enforcement of Radio Law of Japan,
2. Use EVMs only after User obtains the license of Test Radio Station as provided in Radio Law of Japan with respect to EVMs, or
3. Use of EVMs only after User obtains the Technical Regulations Conformity Certification as provided in Radio Law of Japan with respect to EVMs. Also, do not transfer EVMs, unless User gives the same notice above to the transferee. Please note that if User does not follow the instructions above, User will be subject to penalties of Radio Law of Japan.

【無線電波を送信する製品の開発キットをお使いになる際の注意事項】 開発キットの中には技術基準適合証明を受けていないものがあります。技術適合証明を受けていないものご使用に際しては、電波法遵守のため、以下のいずれかの措置を取っていただく必要がありますのでご注意ください。

1. 電波法施行規則第6条第1項第1号に基づく平成18年3月28日総務省告示第173号で定められた電波暗室等の試験設備でご使用いただく。
2. 実験局の免許を取得後ご使用いただく。
3. 技術基準適合証明を取得後ご使用いただく。

なお、本製品は、上記の「ご使用にあたっての注意」を譲渡先、移転先に通知しない限り、譲渡、移転できないものとします。

上記を遵守頂けない場合は、電波法の罰則が適用される可能性があることをご留意ください。日本テキサス・インスツルメンツ株式会社
東京都新宿区西新宿 6 丁目 2 4 番 1 号
西新宿三井ビル

3.3.3 *Notice for EVMs for Power Line Communication:* Please see http://www.tij.co.jp/lstds/ti_ja/general/eStore/notice_02.page
電力線搬送波通信についての開発キットをお使いになる際の注意事項については、次のところをご覧ください。http://www.tij.co.jp/lstds/ti_ja/general/eStore/notice_02.page

3.4 European Union

3.4.1 *For EVMs subject to EU Directive 2014/30/EU (Electromagnetic Compatibility Directive):*

This is a class A product intended for use in environments other than domestic environments that are connected to a low-voltage power-supply network that supplies buildings used for domestic purposes. In a domestic environment this product may cause radio interference in which case the user may be required to take adequate measures.

-
- 4 *EVM Use Restrictions and Warnings:*
 - 4.1 EVMS ARE NOT FOR USE IN FUNCTIONAL SAFETY AND/OR SAFETY CRITICAL EVALUATIONS, INCLUDING BUT NOT LIMITED TO EVALUATIONS OF LIFE SUPPORT APPLICATIONS.
 - 4.2 User must read and apply the user guide and other available documentation provided by TI regarding the EVM prior to handling or using the EVM, including without limitation any warning or restriction notices. The notices contain important safety information related to, for example, temperatures and voltages.
 - 4.3 *Safety-Related Warnings and Restrictions:*
 - 4.3.1 User shall operate the EVM within TI's recommended specifications and environmental considerations stated in the user guide, other available documentation provided by TI, and any other applicable requirements and employ reasonable and customary safeguards. Exceeding the specified performance ratings and specifications (including but not limited to input and output voltage, current, power, and environmental ranges) for the EVM may cause personal injury or death, or property damage. If there are questions concerning performance ratings and specifications, User should contact a TI field representative prior to connecting interface electronics including input power and intended loads. Any loads applied outside of the specified output range may also result in unintended and/or inaccurate operation and/or possible permanent damage to the EVM and/or interface electronics. Please consult the EVM user guide prior to connecting any load to the EVM output. If there is uncertainty as to the load specification, please contact a TI field representative. During normal operation, even with the inputs and outputs kept within the specified allowable ranges, some circuit components may have elevated case temperatures. These components include but are not limited to linear regulators, switching transistors, pass transistors, current sense resistors, and heat sinks, which can be identified using the information in the associated documentation. When working with the EVM, please be aware that the EVM may become very warm.
 - 4.3.2 EVMs are intended solely for use by technically qualified, professional electronics experts who are familiar with the dangers and application risks associated with handling electrical mechanical components, systems, and subsystems. User assumes all responsibility and liability for proper and safe handling and use of the EVM by User or its employees, affiliates, contractors or designees. User assumes all responsibility and liability to ensure that any interfaces (electronic and/or mechanical) between the EVM and any human body are designed with suitable isolation and means to safely limit accessible leakage currents to minimize the risk of electrical shock hazard. User assumes all responsibility and liability for any improper or unsafe handling or use of the EVM by User or its employees, affiliates, contractors or designees.
 - 4.4 User assumes all responsibility and liability to determine whether the EVM is subject to any applicable international, federal, state, or local laws and regulations related to User's handling and use of the EVM and, if applicable, User assumes all responsibility and liability for compliance in all respects with such laws and regulations. User assumes all responsibility and liability for proper disposal and recycling of the EVM consistent with all applicable international, federal, state, and local requirements.
 5. *Accuracy of Information:* To the extent TI provides information on the availability and function of EVMs, TI attempts to be as accurate as possible. However, TI does not warrant the accuracy of EVM descriptions, EVM availability or other information on its websites as accurate, complete, reliable, current, or error-free.
 6. *Disclaimers:*
 - 6.1 EXCEPT AS SET FORTH ABOVE, EVMS AND ANY MATERIALS PROVIDED WITH THE EVM (INCLUDING, BUT NOT LIMITED TO, REFERENCE DESIGNS AND THE DESIGN OF THE EVM ITSELF) ARE PROVIDED "AS IS" AND "WITH ALL FAULTS." TI DISCLAIMS ALL OTHER WARRANTIES, EXPRESS OR IMPLIED, REGARDING SUCH ITEMS, INCLUDING BUT NOT LIMITED TO ANY EPIDEMIC FAILURE WARRANTY OR IMPLIED WARRANTIES OF MERCHANTABILITY OR FITNESS FOR A PARTICULAR PURPOSE OR NON-INFRINGEMENT OF ANY THIRD PARTY PATENTS, COPYRIGHTS, TRADE SECRETS OR OTHER INTELLECTUAL PROPERTY RIGHTS.
 - 6.2 EXCEPT FOR THE LIMITED RIGHT TO USE THE EVM SET FORTH HEREIN, NOTHING IN THESE TERMS SHALL BE CONSTRUED AS GRANTING OR CONFERRING ANY RIGHTS BY LICENSE, PATENT, OR ANY OTHER INDUSTRIAL OR INTELLECTUAL PROPERTY RIGHT OF TI, ITS SUPPLIERS/LICENSORS OR ANY OTHER THIRD PARTY, TO USE THE EVM IN ANY FINISHED END-USER OR READY-TO-USE FINAL PRODUCT, OR FOR ANY INVENTION, DISCOVERY OR IMPROVEMENT, REGARDLESS OF WHEN MADE, CONCEIVED OR ACQUIRED.
 7. *USER'S INDEMNITY OBLIGATIONS AND REPRESENTATIONS.* USER WILL DEFEND, INDEMNIFY AND HOLD TI, ITS LICENSORS AND THEIR REPRESENTATIVES HARMLESS FROM AND AGAINST ANY AND ALL CLAIMS, DAMAGES, LOSSES, EXPENSES, COSTS AND LIABILITIES (COLLECTIVELY, "CLAIMS") ARISING OUT OF OR IN CONNECTION WITH ANY HANDLING OR USE OF THE EVM THAT IS NOT IN ACCORDANCE WITH THESE TERMS. THIS OBLIGATION SHALL APPLY WHETHER CLAIMS ARISE UNDER STATUTE, REGULATION, OR THE LAW OF TORT, CONTRACT OR ANY OTHER LEGAL THEORY, AND EVEN IF THE EVM FAILS TO PERFORM AS DESCRIBED OR EXPECTED.
-

8. *Limitations on Damages and Liability:*

8.1 *General Limitations.* IN NO EVENT SHALL TI BE LIABLE FOR ANY SPECIAL, COLLATERAL, INDIRECT, PUNITIVE, INCIDENTAL, CONSEQUENTIAL, OR EXEMPLARY DAMAGES IN CONNECTION WITH OR ARISING OUT OF THESE TERMS OR THE USE OF THE EVMS , REGARDLESS OF WHETHER TI HAS BEEN ADVISED OF THE POSSIBILITY OF SUCH DAMAGES. EXCLUDED DAMAGES INCLUDE, BUT ARE NOT LIMITED TO, COST OF REMOVAL OR REINSTALLATION, ANCILLARY COSTS TO THE PROCUREMENT OF SUBSTITUTE GOODS OR SERVICES, RETESTING, OUTSIDE COMPUTER TIME, LABOR COSTS, LOSS OF GOODWILL, LOSS OF PROFITS, LOSS OF SAVINGS, LOSS OF USE, LOSS OF DATA, OR BUSINESS INTERRUPTION. NO CLAIM, SUIT OR ACTION SHALL BE BROUGHT AGAINST TI MORE THAN TWELVE (12) MONTHS AFTER THE EVENT THAT GAVE RISE TO THE CAUSE OF ACTION HAS OCCURRED.

8.2 *Specific Limitations.* IN NO EVENT SHALL TI'S AGGREGATE LIABILITY FROM ANY USE OF AN EVM PROVIDED HEREUNDER, INCLUDING FROM ANY WARRANTY, INDEMNITY OR OTHER OBLIGATION ARISING OUT OF OR IN CONNECTION WITH THESE TERMS, , EXCEED THE TOTAL AMOUNT PAID TO TI BY USER FOR THE PARTICULAR EVM(S) AT ISSUE DURING THE PRIOR TWELVE (12) MONTHS WITH RESPECT TO WHICH LOSSES OR DAMAGES ARE CLAIMED. THE EXISTENCE OF MORE THAN ONE CLAIM SHALL NOT ENLARGE OR EXTEND THIS LIMIT.

9. *Return Policy.* Except as otherwise provided, TI does not offer any refunds, returns, or exchanges. Furthermore, no return of EVM(s) will be accepted if the package has been opened and no return of the EVM(s) will be accepted if they are damaged or otherwise not in a resalable condition. If User feels it has been incorrectly charged for the EVM(s) it ordered or that delivery violates the applicable order, User should contact TI. All refunds will be made in full within thirty (30) working days from the return of the components(s), excluding any postage or packaging costs.

10. *Governing Law:* These terms and conditions shall be governed by and interpreted in accordance with the laws of the State of Texas, without reference to conflict-of-laws principles. User agrees that non-exclusive jurisdiction for any dispute arising out of or relating to these terms and conditions lies within courts located in the State of Texas and consents to venue in Dallas County, Texas. Notwithstanding the foregoing, any judgment may be enforced in any United States or foreign court, and TI may seek injunctive relief in any United States or foreign court.

Mailing Address: Texas Instruments, Post Office Box 655303, Dallas, Texas 75265
Copyright © 2019, Texas Instruments Incorporated

IMPORTANT NOTICE AND DISCLAIMER

TI PROVIDES TECHNICAL AND RELIABILITY DATA (INCLUDING DATASHEETS), DESIGN RESOURCES (INCLUDING REFERENCE DESIGNS), APPLICATION OR OTHER DESIGN ADVICE, WEB TOOLS, SAFETY INFORMATION, AND OTHER RESOURCES "AS IS" AND WITH ALL FAULTS, AND DISCLAIMS ALL WARRANTIES, EXPRESS AND IMPLIED, INCLUDING WITHOUT LIMITATION ANY IMPLIED WARRANTIES OF MERCHANTABILITY, FITNESS FOR A PARTICULAR PURPOSE OR NON-INFRINGEMENT OF THIRD PARTY INTELLECTUAL PROPERTY RIGHTS.

These resources are intended for skilled developers designing with TI products. You are solely responsible for (1) selecting the appropriate TI products for your application, (2) designing, validating and testing your application, and (3) ensuring your application meets applicable standards, and any other safety, security, or other requirements. These resources are subject to change without notice. TI grants you permission to use these resources only for development of an application that uses the TI products described in the resource. Other reproduction and display of these resources is prohibited. No license is granted to any other TI intellectual property right or to any third party intellectual property right. TI disclaims responsibility for, and you will fully indemnify TI and its representatives against, any claims, damages, costs, losses, and liabilities arising out of your use of these resources.

TI's products are provided subject to TI's Terms of Sale (<https://www.ti.com/legal/termsofsale.html>) or other applicable terms available either on [ti.com](https://www.ti.com) or provided in conjunction with such TI products. TI's provision of these resources does not expand or otherwise alter TI's applicable warranties or warranty disclaimers for TI products.

Mailing Address: Texas Instruments, Post Office Box 655303, Dallas, Texas 75265
Copyright © 2021, Texas Instruments Incorporated