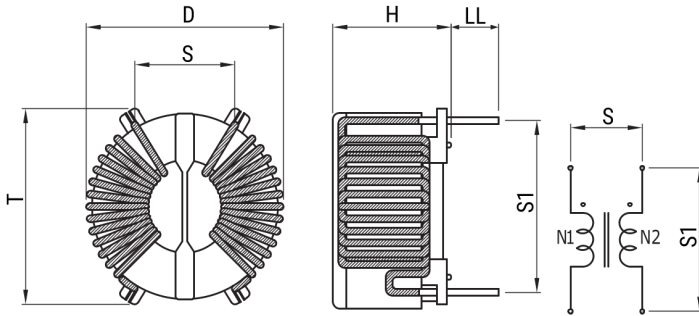


## SC-06-E42JKH

Aliases (UALSC06E42JKH0)

KEMET, SC\_JKH, AC Line Filters, Common Mode, 4.2 mH



Click [here](#) for the 3D model.

### Dimensions

D	34mm MAX
T	34mm MAX
H	27mm MAX
LL	3.5mm +/-1mm
S	11mm NOM
S1	28mm NOM
Wire Size	1.2mm

### Packaging Specifications

Packaging	Tray
Packaging Quantity	120
Component Weight	47.5 g

### General Information

Series	SC_JKH
Style	Through-Hole
RoHS	Yes
Notes	Lead Spacing (S/S1) Are For Reference Only.
Miscellaneous	Temperature Rise Maximum: 45 K.
Core	Mn-Zn Ferrite

### Specifications

Voltage AC	250 VAC
Inductance	4.2 mH
Current	6 A
Temperature Range	-25/+120°C
DC Resistance	30 mOhms