

Approved	Checked	Designed	DEVELOPMENT SPECIFICATION	TEMPORARY
		T. Takata		

T Y P E	Orange Light Emitting Diode					
A P P L I C A T I O N	Indicators					
M A T E R I A L	InGaAlP					
O U T L I N E	Attached					
A B S O L U T E	P	*1 I _{FP}	I _{FDC}	V _R	Topr	Tstg
M A X I M U M	55	60	20	4	-30~+85	-40~+100
R A T I N G S	mW	mA	mA	V	°C	°C
C O N D I T I O N	T _a = 25 ± 3°C					

Test Specification

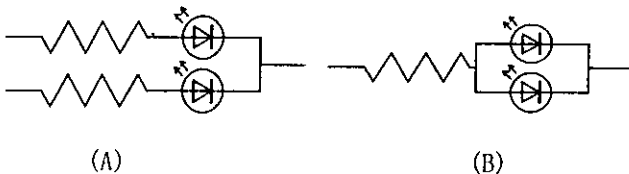
I t e m	Symbol	C o n d i t i o n	Typ	Limit		Unit
				Min	Max	
Forward Voltage	V _F	I _F = 10 mA	1.9		2.5	V
Reverse Leakage Current	I _R	V _R = 3 V			100	μA
Luminous Intensity *2	I _O	I _F = 10 mA DC	33	17.6		mcd
Peak Emission Wavelength	λ _p	I _F = 10 mA DC	620			nm
Spectral Line Half Width	Δλ	I _F = 10 mA DC	17			nm

*1. The Condition of I_{FP} is duty 10 %, Pulse width 1 ms

*2. Tolerance of luminous intensity: ±20%.

NOTE

- ★1. Please contact the Panasonic local office if you design at low current (below 1mA DC) or pulse current operation and have any questions.
- ★2. Soldering conditions...Refer to Handling note.
- ★3. Compositions of the lead ... Cu/Ni/Au plating
- ★4. Beware of destruction by static electricity in handling the LED.
- ★5. Circuit to operate LED.



(A) Recommended circuit.

(B) The difference of brightness between the LED could be found due to the V_F characteristics of each LED.

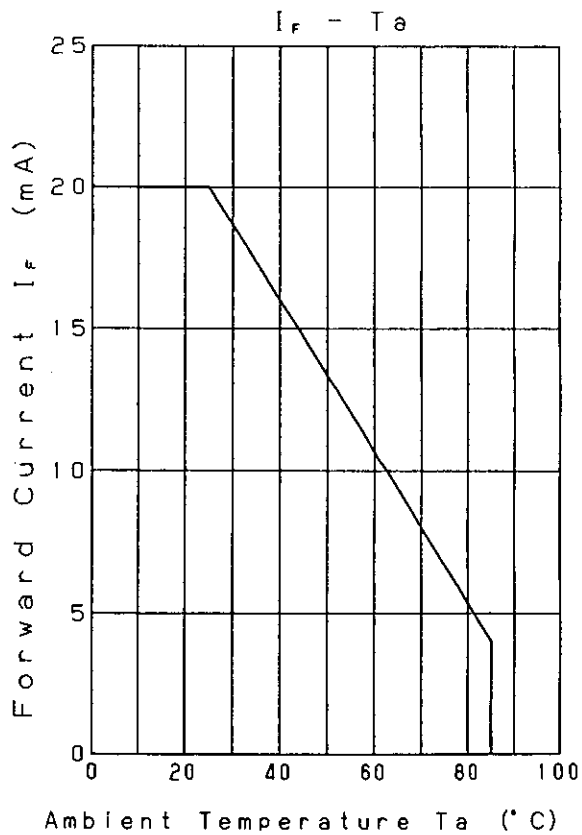
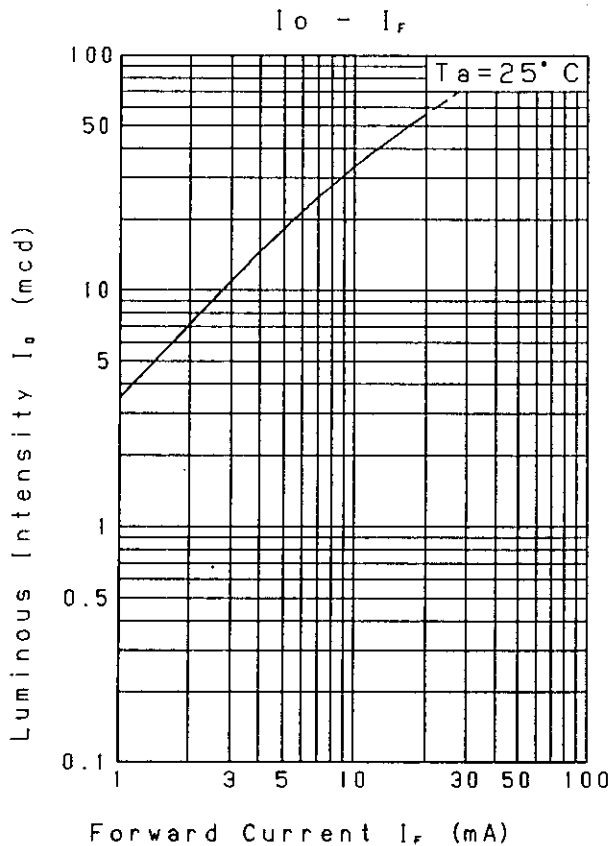
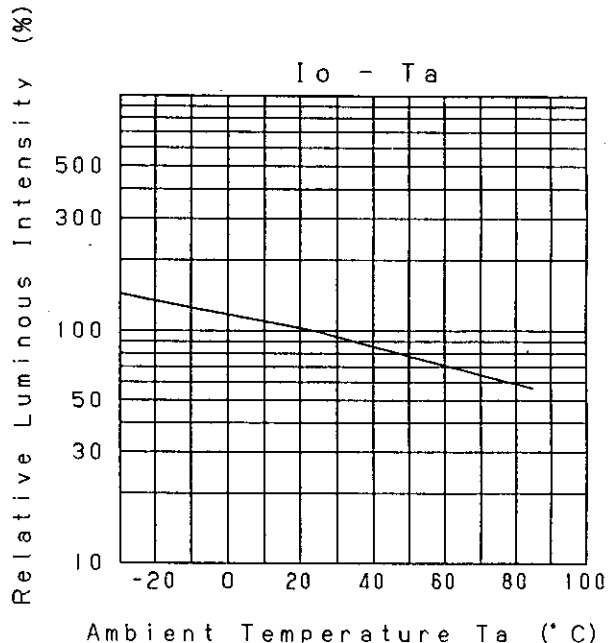
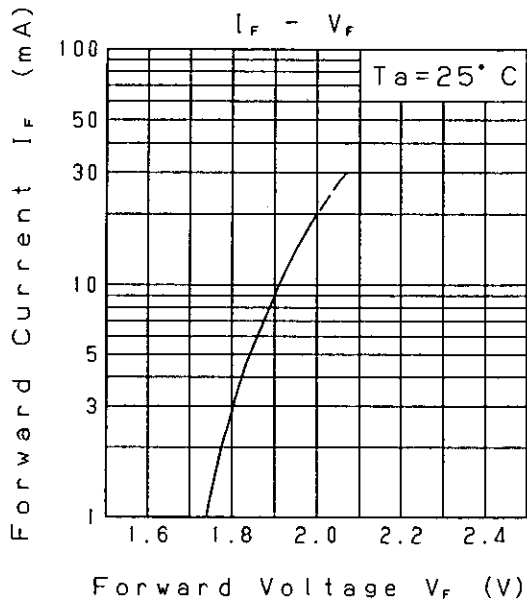
Nov. 7. 2001			

Approved	Checked	Designed
		T. Takahata

DEVELOPMENT SPECIFICATION

P/N: LNJ818C88RA

TEMPORARY



Nov. 7. 2001

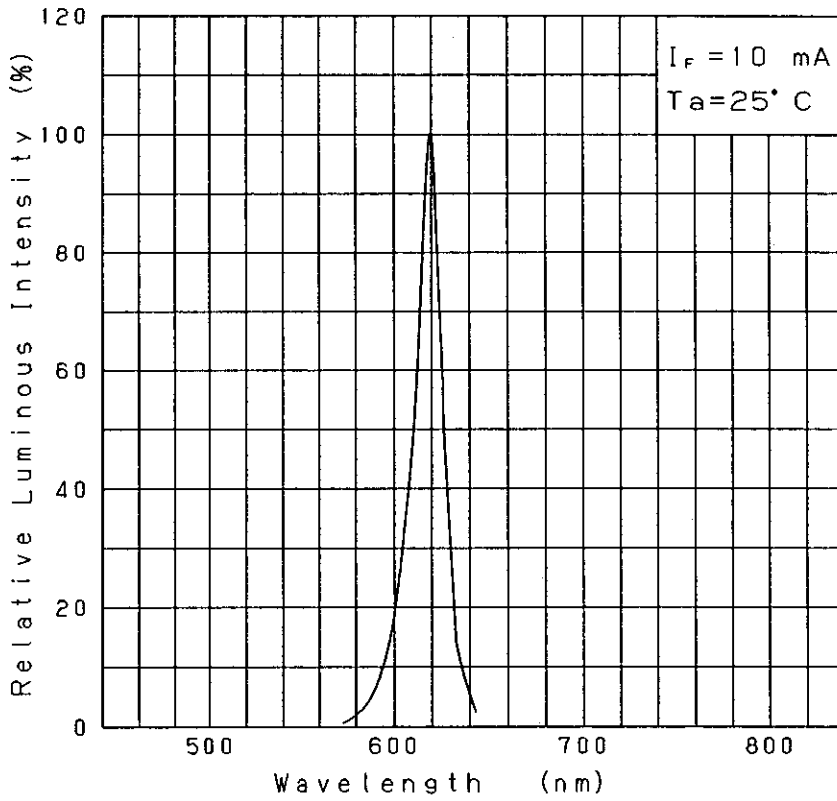
Approved	Checked	Designed
		T. Takata

DEVELOPMENT SPECIFICATION

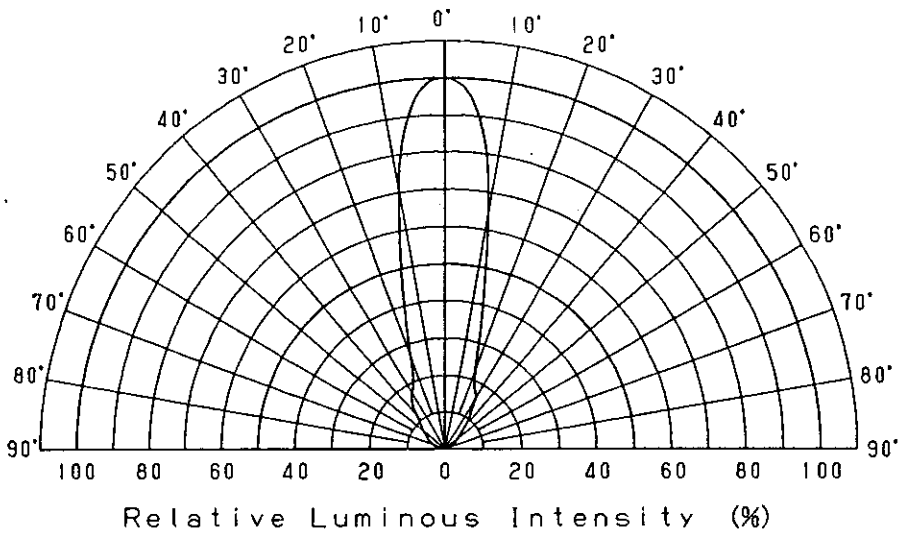
P/N: LNJ818C88RA

TEMPORARY

Relative Luminous Intensity
Wavelength Characteristics



Directive Characteristics



Nov. 7. 2001

Approved <i>T. Shindo</i>	Checked <i>h. h. h.</i>	Designed <i>T. Tabata</i>
------------------------------	----------------------------	------------------------------

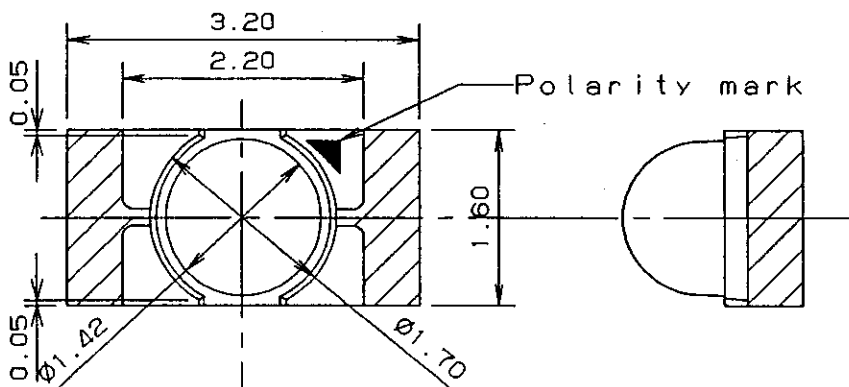
DEVELOPMENT SPECIFICATION

(OUTLINE)

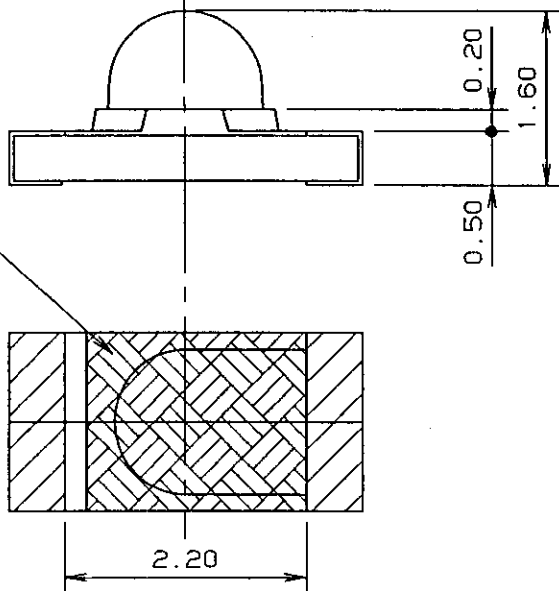
P/N: _____

TEMPORARY

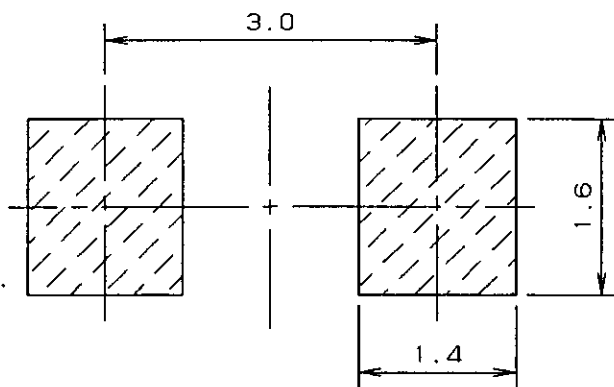
Outline



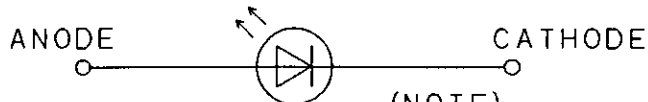
Protect mask



Recommended Land Layout



Polarity



(NOTE)
 1. Unit:mm
 2. Tolerance unless specified is ± 0.15 .
 3. indicate Au terminal.

Jul. 5.2001