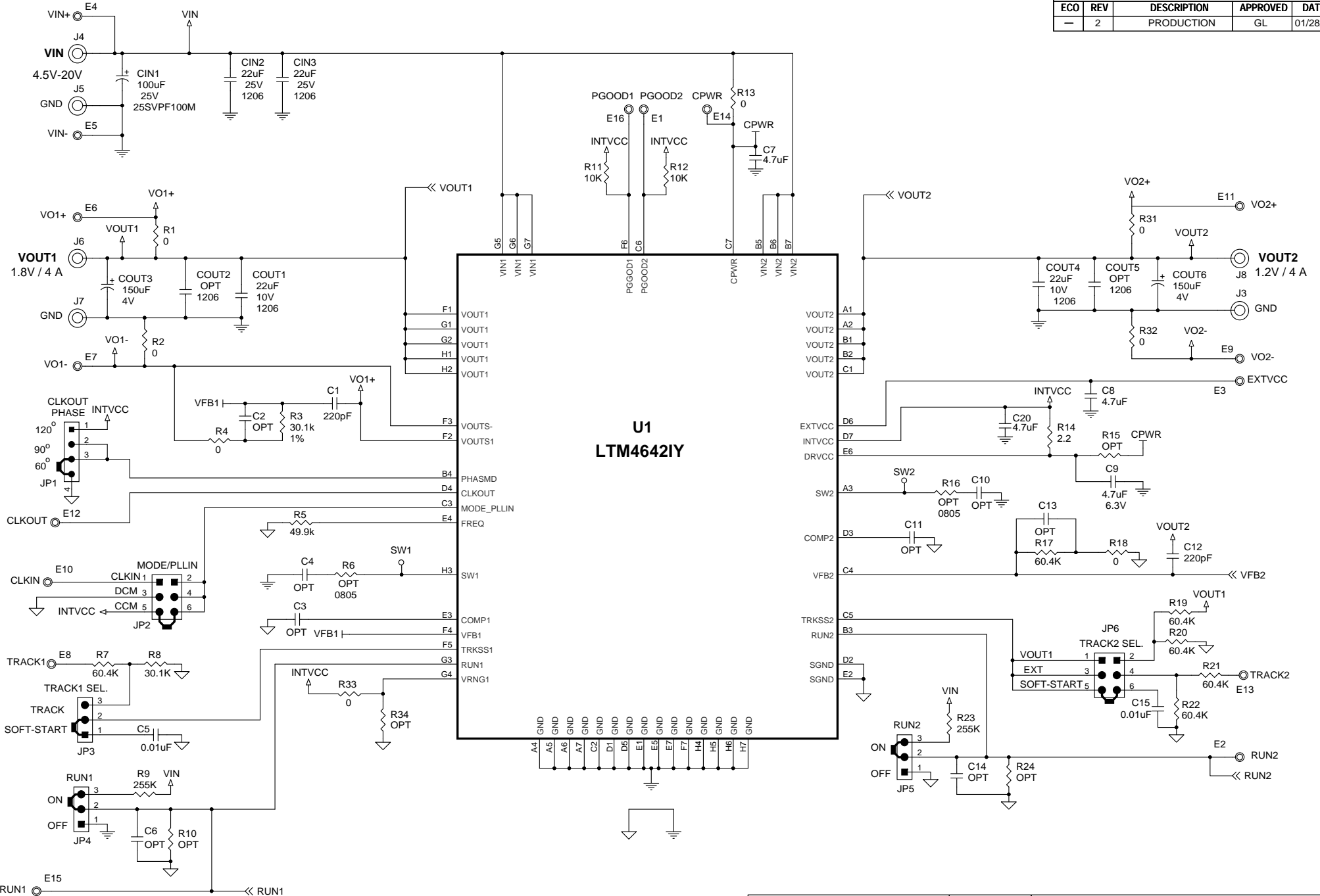


REVISION HISTORY				
ECO	REV	DESCRIPTION	APPROVED	DATE
-	2	PRODUCTION	GL	01/28/16



NOTE: UNLESS OTHERWISE SPECIFIED  
 1. ALL RESISTORS ARE IN OHMS, 0603.  
 ALL CAPACITORS ARE IN MICROFARADS, 0603.

4.5V < VIN < 20V	CPWR = VIN	R13 = 0 OHM R15 = OPT
4.5V < VIN < 5.3V	DRVCC, CPWR = VIN	R13 = 0 OHM R15 = 0 OHM
2.375V < VIN < 4.5V	CPWR = EXT. 5V	R13 = OPT R15 = OPT

**CUSTOMER NOTICE**  
 LINEAR TECHNOLOGY HAS MADE A BEST EFFORT TO DESIGN A CIRCUIT THAT MEETS CUSTOMER-SUPPLIED SPECIFICATIONS; HOWEVER, IT REMAINS THE CUSTOMER'S RESPONSIBILITY TO VERIFY PROPER AND RELIABLE OPERATION IN THE ACTUAL APPLICATION. COMPONENT SUBSTITUTION AND PRINTED CIRCUIT BOARD LAYOUT MAY SIGNIFICANTLY AFFECT CIRCUIT PERFORMANCE OR RELIABILITY. CONTACT LINEAR TECHNOLOGY APPLICATIONS ENGINEERING FOR ASSISTANCE.  
 THIS CIRCUIT IS PROPRIETARY TO LINEAR TECHNOLOGY AND SUPPLIED FOR USE WITH LINEAR TECHNOLOGY PARTS.

APPROVALS	
PCB DES.	LT
APP ENG.	GL
SCALE = NONE	

1630 McCarthy Blvd.  
 Milpitas, CA 95035  
 Phone: (408)432-1900 www.linear.com  
 Fax: (408)434-0507  
 LTC Confidential-For Customer Use Only

**LINEAR TECHNOLOGY**

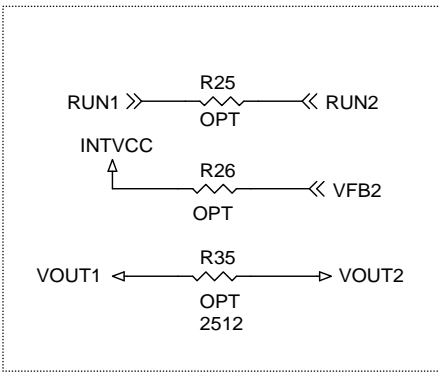
TITLE: SCHEMATIC  
**HIGH DENSITY, DUAL 4A STEP-DOWN  
 μ MODULE REGULATOR**

SIZE	IC NO.	REV.
N/A	LTM4642IY	2

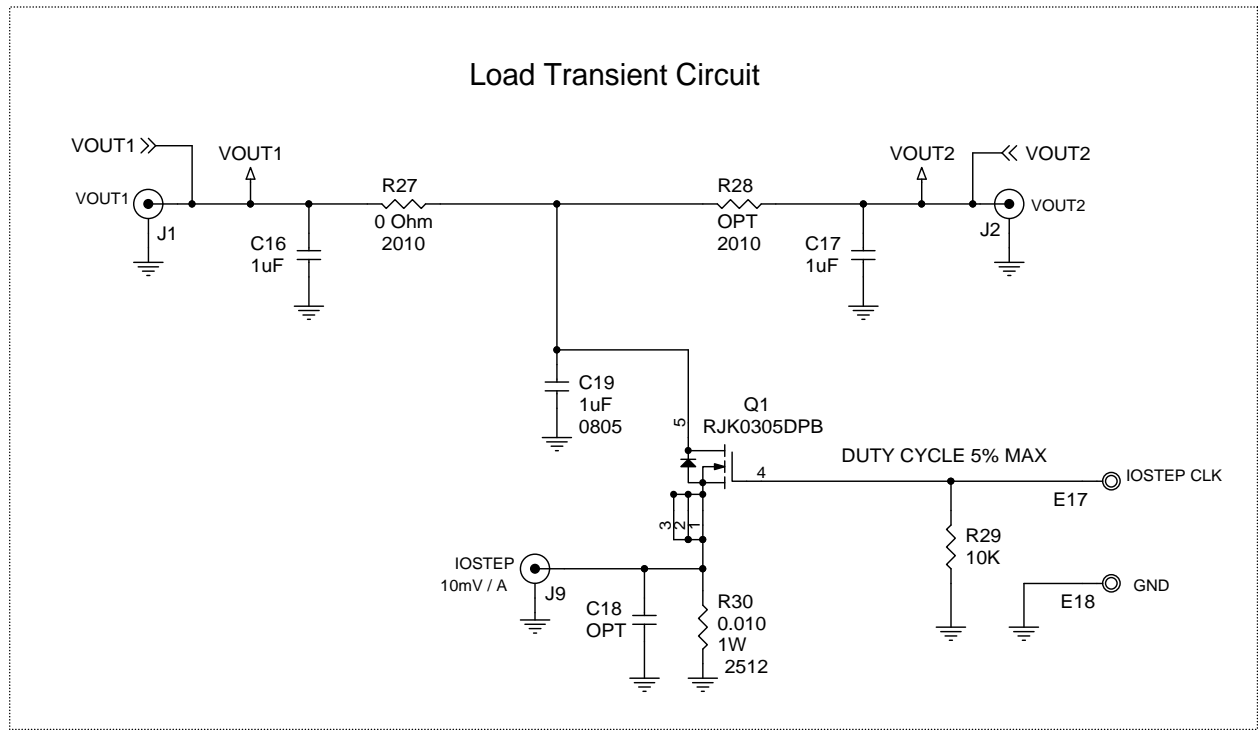
DEMO CIRCUIT 2194A

DATE:	Thursday, January 28, 2016	SHEET 1 OF 2
-------	----------------------------	--------------

OPTIONAL JUMPER FOR DUAL PHASE SINGLE OUTPUT CONFIGURATION



### Load Transient Circuit



#### CUSTOMER NOTICE

LINEAR TECHNOLOGY HAS MADE A BEST EFFORT TO DESIGN A CIRCUIT THAT MEETS CUSTOMER-SUPPLIED SPECIFICATIONS; HOWEVER, IT REMAINS THE CUSTOMER'S RESPONSIBILITY TO VERIFY PROPER AND RELIABLE OPERATION IN THE ACTUAL APPLICATION. COMPONENT SUBSTITUTION AND PRINTED CIRCUIT BOARD LAYOUT MAY SIGNIFICANTLY AFFECT CIRCUIT PERFORMANCE OR RELIABILITY. CONTACT LINEAR TECHNOLOGY APPLICATIONS ENGINEERING FOR ASSISTANCE.

THIS CIRCUIT IS PROPRIETARY TO LINEAR TECHNOLOGY AND SUPPLIED FOR USE WITH LINEAR TECHNOLOGY PARTS.

#### APPROVALS

PCB DES.	LT
APP ENG.	GL

SCALE = NONE



1630 McCarthy Blvd.  
Milpitas, CA 95035  
Phone: (408)432-1900 [www.linear.com](http://www.linear.com)  
Fax: (408)434-0507  
LTC Confidential-For Customer Use Only

TITLE: SCHEMATIC  
**HIGH DENSITY, DUAL 4A STEP-DOWN  
μ MODULE REGULATOR**

SIZE N/A	IC NO. <b>LTM4642IY</b>	REV. 2
-------------	----------------------------	-----------

DATE: Thursday, January 28, 2016 SHEET 2 OF 2