



Alpha 7

Combined GSM/GPRS (2G) & GPS Puck Antenna



Key Features

- 30dB pre-amplifier
- High grade mounting adhesive
- Improves signal to noise ratio for mobile applications

General Description

The Alpha 7 is an adhesive mount compact, puck-shaped GSM/GPRS & GPS combination antenna.

The GSM/GPRS antenna is a dual band 900/1800MHz dipole providing GSM and GPRS coverage throughout Europe, Africa and most of Asia.

The GPS antenna is built with a 30dB Low Noise Amplifier (LNA) to help provide strong satellite fixing.

Additional Considerations

- 3M™ adhesive pad ensures long lasting bond to windscreen
- Works on all UK and European GSM / GPRS cellular networks
- Meets all EU compliance criteria for electronic goods





Alpha 7

Combined GSM/GPRS (2G) & GPS Puck Antenna

Electrical Specifications

Dielectric Antenna

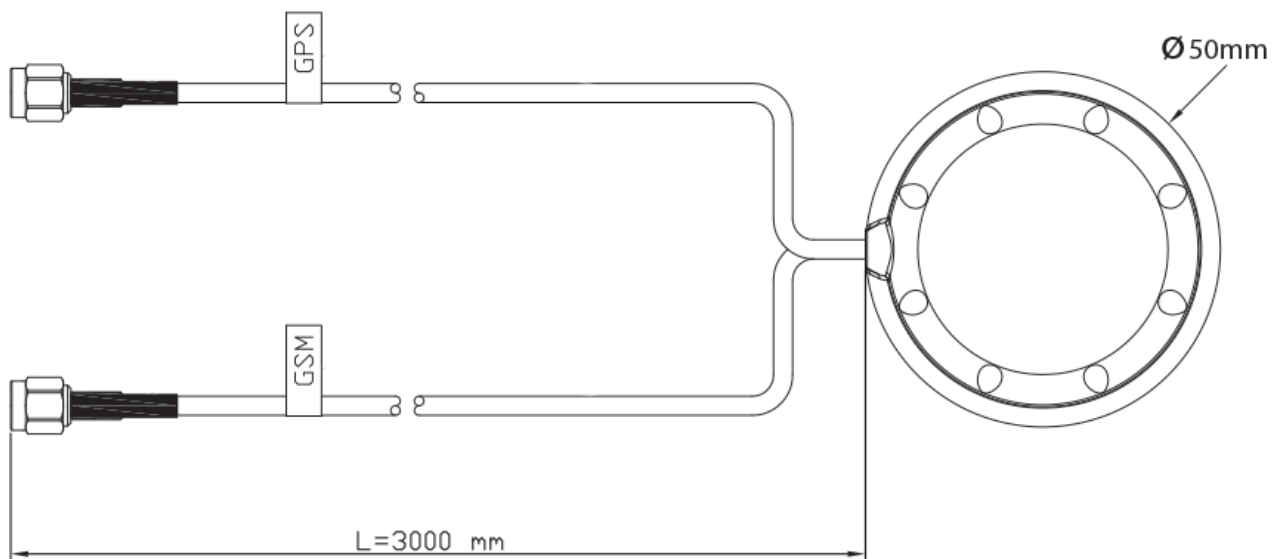
Frequency range:	900/1800MHz
Impedance:	50 Ohm
Peak Gain:	2dBi
Polarization:	Vertical
VSWR:	<2.0
Connector:	SMA Male

Mechanical Specifications

Dimensions:	L50 x H15.5mm Ø
Operating Temperature:	-40 - +90°C
Storage Temperature:	-40 - +90°C
GSM Connector:	SMA Male
GPS Connector:	SMA Male
Cable:	RG174
Relative Humidity:	10% - 90%

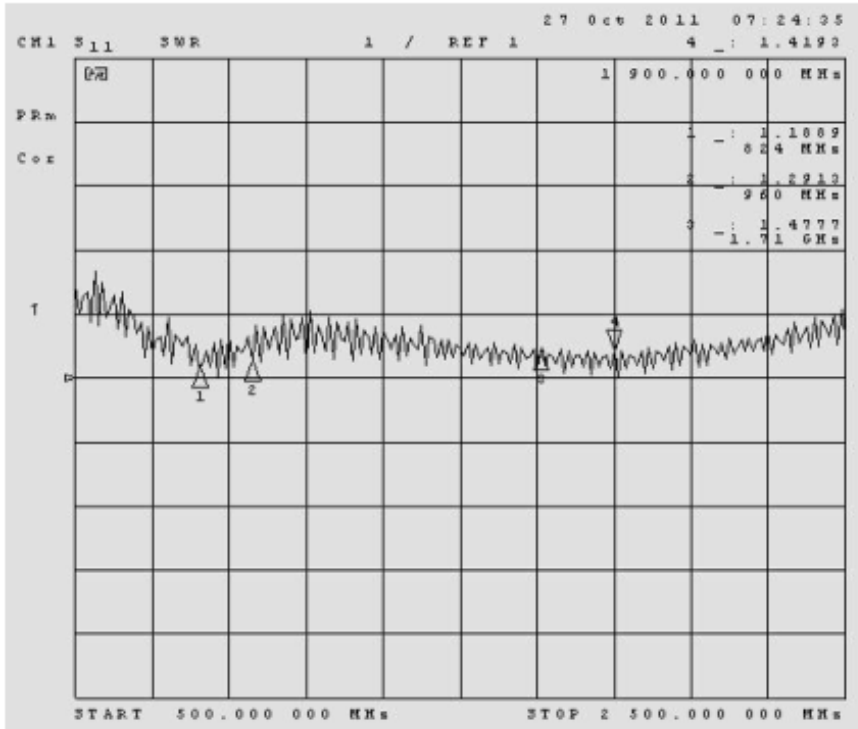
GPA Antenna

Frequency Range:	1575.42 +/- 1.023MHz
LNA Gain:	30dB
Impedance:	50 Ohm
Noise:	1.5dB Max
VSWR:	2.0 Max
Polarization:	RHCP





VSWR



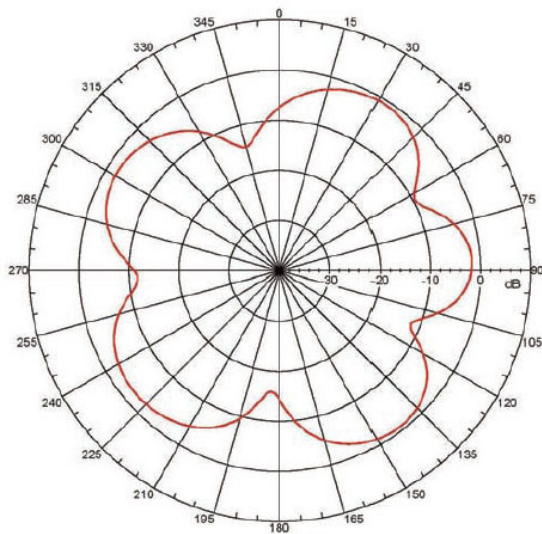


Alpha 7

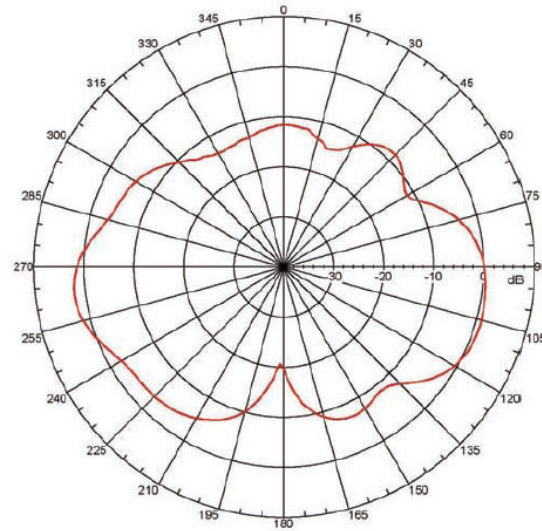
Combined GSM/GPRS (2G) & GPS Puck Antenna

Radiation Plots

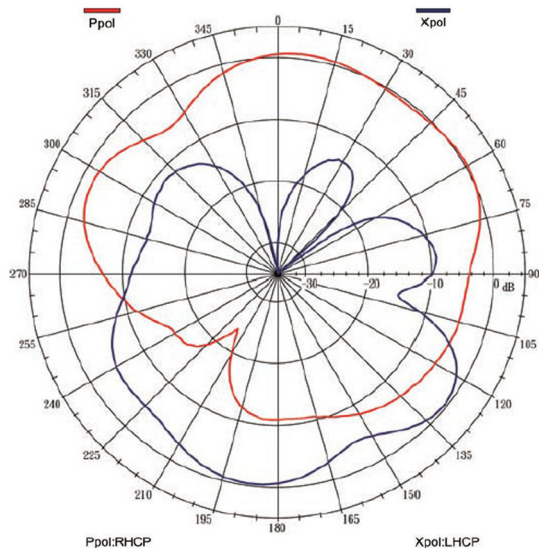
GSM Far-field amplitude at 900 MHz



GSM Far-field amplitude at 1800 MHz



GPS Radiation Pattern(without LNA)



Ordering Details

Part Number

Description

ALPHA7/3M/SMAM/SMAM/S/S/11

Combined GSM/GPRS (2G) & GPS Puck Antenna 3M SMA Male

ALPHA7/3M/FMEF/SMAM/S/S/11

Combined GSM/GPRS (2G) & GPS Puck Antenna 3M FME Female (GSM)/SMA Male (GPS)