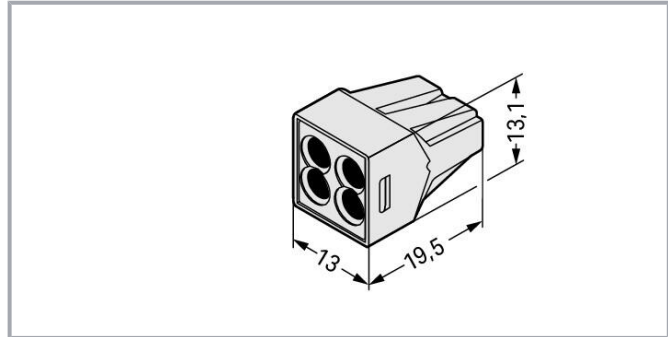
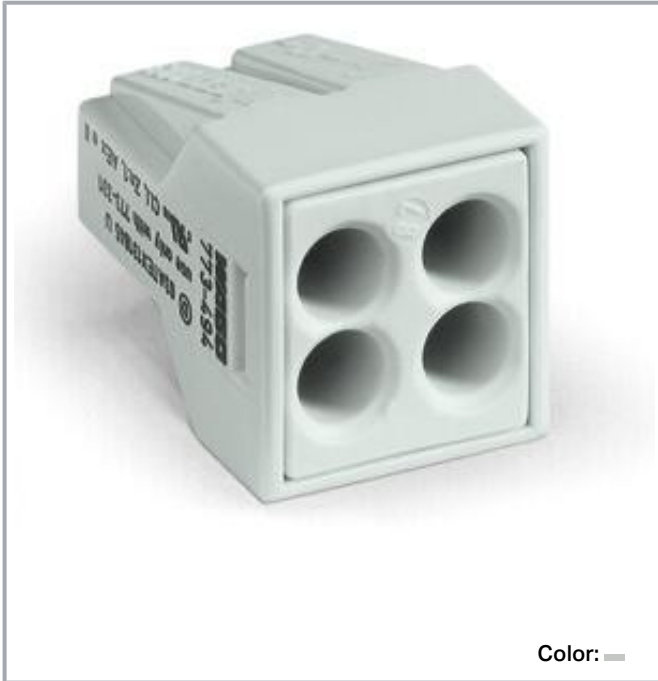


**Data sheet | Item number: 773-494**



PUSH WIRE® connector for junction boxes; for solid and stranded conductors; for Ex applications; max. 2.5 mm<sup>2</sup>; 4-conductor; light gray housing; light gray cover; Surrounding air temperature: max 60°C; 2,50 mm<sup>2</sup>; light gray

[www.wago.com/773-494](http://www.wago.com/773-494)



**Data  
Notes**

Safety information 2

To be used only in conjunction with a mounting carrier (773-331).

**Electrical data**

**Ratings per IEC/EN**

Ratings per EN 60079

**Ex information**

Rated voltage EN (Ex e II) 550 V

Note (rated voltage) 275 V at a distance < 10 mm to parts of other potentials

Rated current (Ex e II) 24 A

Subject to changes. Please also observe the further product documentation!

WAGO GmbH & Co. KG  
Hansastr. 27  
32423 Minden  
Phone: +49571 887-0 | Fax: +49571 887-169  
Email: [info.de@wago.com](mailto:info.de@wago.com) | Web: [www.wago.com](http://www.wago.com)

Do you have any questions about our products?  
We are always happy to take your call at +49 (571) 887-44222.



## Connection data

Connection points	4
Total number of potentials	1

## Connection 1

Connection technology	PUSH WIRE®
Actuation type	Push-in
Connectable conductor materials	Copper Aluminum

Connectable conductor materials (note)

### Terminating Aluminum Conductors

WAGO spring clamp terminal blocks are suitable for solid aluminum conductors up to 4 mm<sup>2</sup>/12 AWG if WAGO "Alu-Plus" Contact Paste 249-130 is used for termination.

"Alu-Plus" Contact Paste Advantages:

- Automatically destroys the oxide film during clamping.
- Prevents fresh oxidation at the clamping point.
- Prevents electrolytic corrosion between aluminum and copper conductors (in the same terminal block).
- Provides long-term protection against corrosion.

For spring clamp connections with PUSH WIRE® connection technology, **WAGO recommends that the aluminum conductor first be cleaned** and then immediately inserted into the clamping unit filled with "Alu-Plus" contact paste.

It is also possible to apply WAGO "Alu-Plus" **additionally** on the whole surface of the aluminum conductor before termination.

Please note that the nominal currents must be adapted to the reduced conductivity of the aluminum conductors::

2.5 mm<sup>2</sup> = 16 A

4 mm<sup>2</sup> = 22 A

Solid conductor	0.75 ... 2.5 mm <sup>2</sup> / 18 ... 14 AWG
Stranded conductor	0.75 ... 2.5 mm <sup>2</sup> / 16 ... 12 AWG
Strip length	12 mm / 0.47 inches
Wiring direction	Side-entry wiring

Subject to changes. Please also observe the further product documentation!

WAGO GmbH & Co. KG

Hansastr. 27

32423 Minden

Phone: +49571 887-0 | Fax: +49571 887-169

Email: [info.de@wago.com](mailto:info.de@wago.com) | Web: [www.wago.com](http://www.wago.com)

Do you have any questions about our products?

We are always happy to take your call at +49 (571) 887-44222.



## Physical data

Width	13 mm / 0.512 inches
Height	13.1 mm / 0.516 inches
Depth	19.5 mm / 0.768 inches

## Material Data

Note (material data)

Information on material specifications can be found here

Color	light gray
Cover color	light gray
Flammability class per UL94	V2
Fire load	0.053 MJ
Weight	2.4 g

## Environmental requirements

Ambient temperature (operation)	+60 °C
Continuous operating temperature	105 °C

## Commercial data

Product Group	7 (Push Wire Conn.)
eCl@ss 10.0	27-14-11-04
eCl@ss 9.0	27-14-11-04
ETIM 8.0	EC000446
ETIM 7.0	EC000446
PU (SPU)	1000 (100) pcs
Packaging type	box
Country of origin	CN
GTIN	4055143026512
Customs tariff number	85369010000


## Environmental Product Compliance

RoHS Compliance Status	Compliant, No Exemption
------------------------	-------------------------



Subject to changes. Please also observe the further product documentation!

## Approvals / Certificates

### General approvals

Logo	Approval	Additional Approval Text	Certificate name
	<b>UL</b> UL International Germany GmbH	UL 486C	E69654


### Approvals for hazardous areas

Logo	Approval	Additional Approval Text	Certificate name
	<b>ATEX</b> UL International Demko A/S	EN 60079	DEMKO 03 ATEX 131845U Rev. 1 (II 2 G Ex e IIC Gb)
	<b>EAC</b> Brjansker Zertifizierungsstelle	TP TC 012/2011	RU C-DE. AM02.B. 00127/19 (Ex e IIC Gb U)

## Optional accessories

### Mounting adapter

#### Mounting accessories

	<b>Item no.: 773-331</b> Mounting carrier; for Ex applications; 773 Series - 2.5 mm <sup>2</sup> / 6 mm <sup>2</sup> ; for DIN-35 rail mounting/screw mounting; light gray	<a href="http://www.wago.com/773-331">www.wago.com/773-331</a>
--	---	--

## Downloads

### Documentation

#### Bid Text

773-494 X81 - Datei	2019 Feb 19	xml 3.2 kB	Download
773-494 doc - Datei	2017 May 17	doc 25.6 kB	Download

Subject to changes. Please also observe the further product documentation!



[ausschreiben.de/773-494](http://ausschreiben.de/773-494)

[URL](#)

[Download](#)

---

## CAD/CAE-Data

### CAD data

2D/3D Models 773-494

[URL](#)

[Download](#)

### CAE data

EPLAN Data Portal 773-494

[URL](#)

[Download](#)

WSCAD Universe 773-494

[URL](#)

[Download](#)

ZUKEN Portal 773-494

[URL](#)

[Download](#)

---

## Environmental Product Compliance

### Compliance Search

Environmental Product Compliance 773-494

[URL](#)

[Download](#)

PUSH WIRE® connector for junction boxes; for solid and stranded conductors; for Ex applications; max. 2.5 mm<sup>2</sup>; 4-conductor; light gray housing; light gray cover;  
Surrounding air temperature: max 60°C; 2,50 mm<sup>2</sup>; light gray

---

## Installation Notes

Subject to changes. Please also observe the further product documentation!

---

WAGO GmbH & Co. KG

Hansastr. 27

32423 Minden

Phone: +49571 887-0 | Fax: +49571 887-169

Email: [info.de@wago.com](mailto:info.de@wago.com) | Web: [www.wago.com](http://www.wago.com)

Do you have any questions about our products?

We are always happy to take your call at +49 (571) 887-44222.