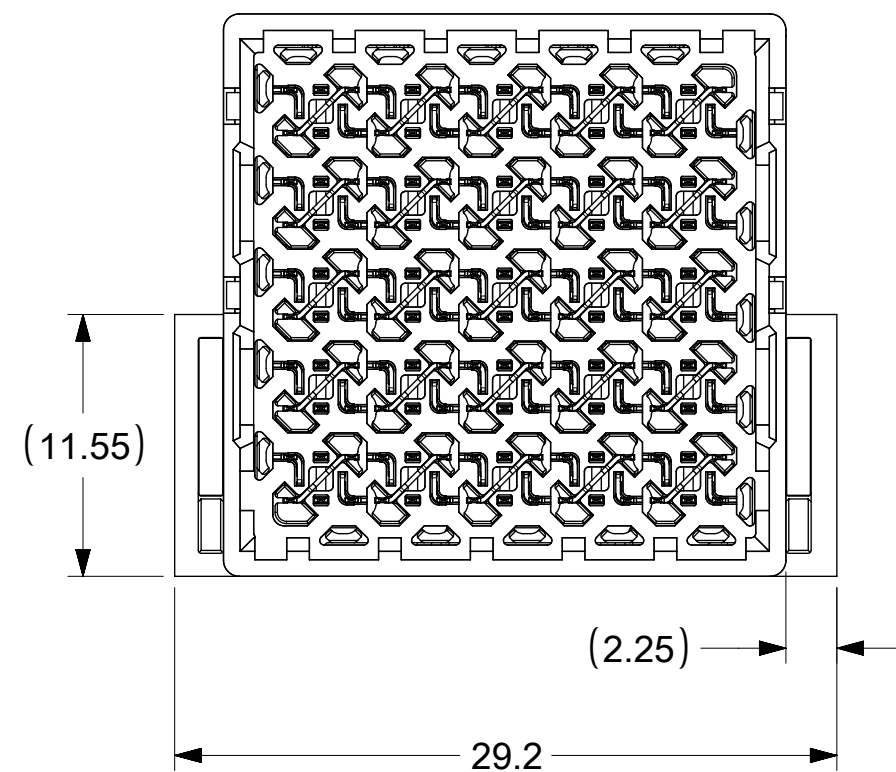
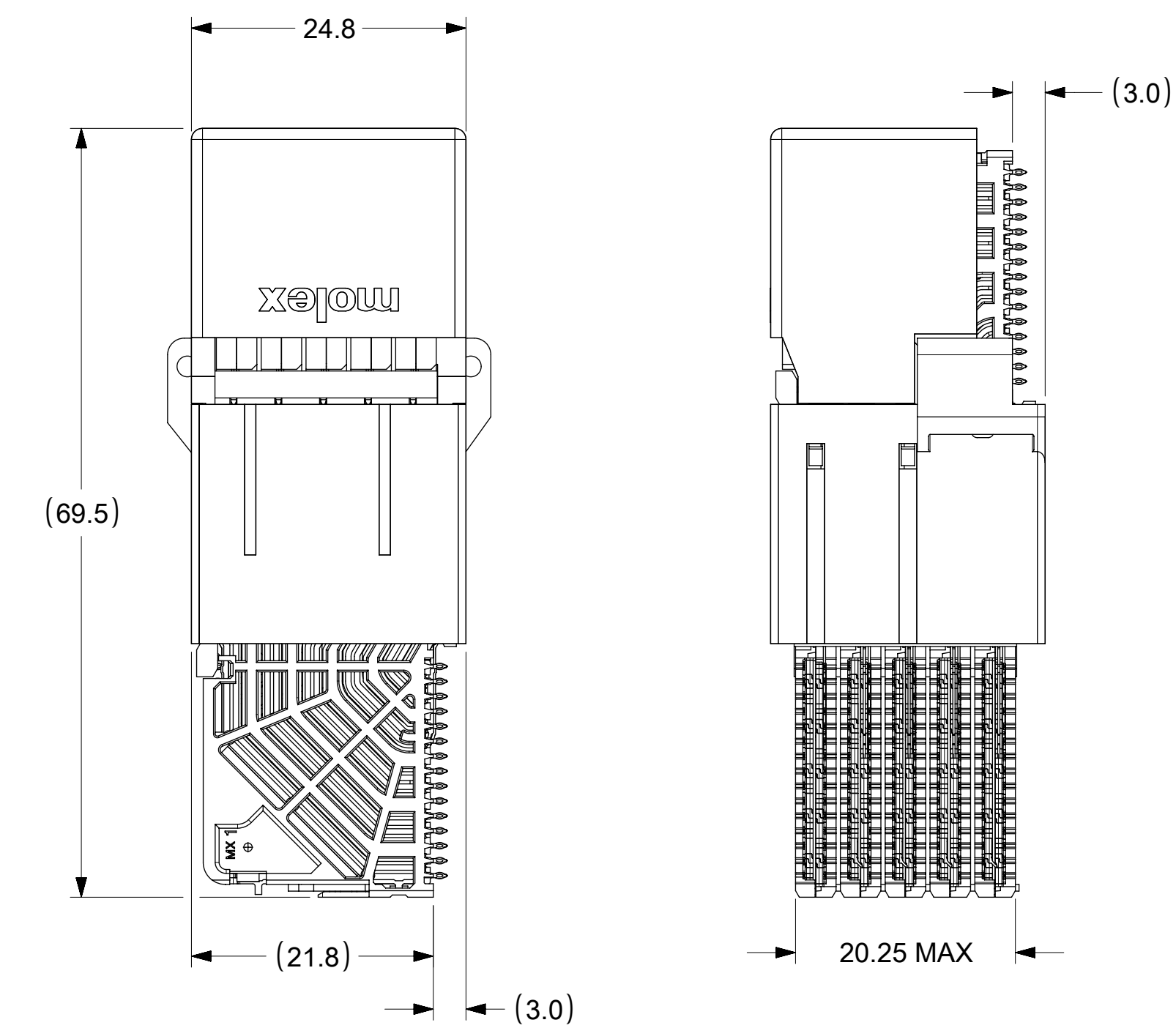


OD-RAM HOLE PATTERN
(CONNECTOR SIDE)

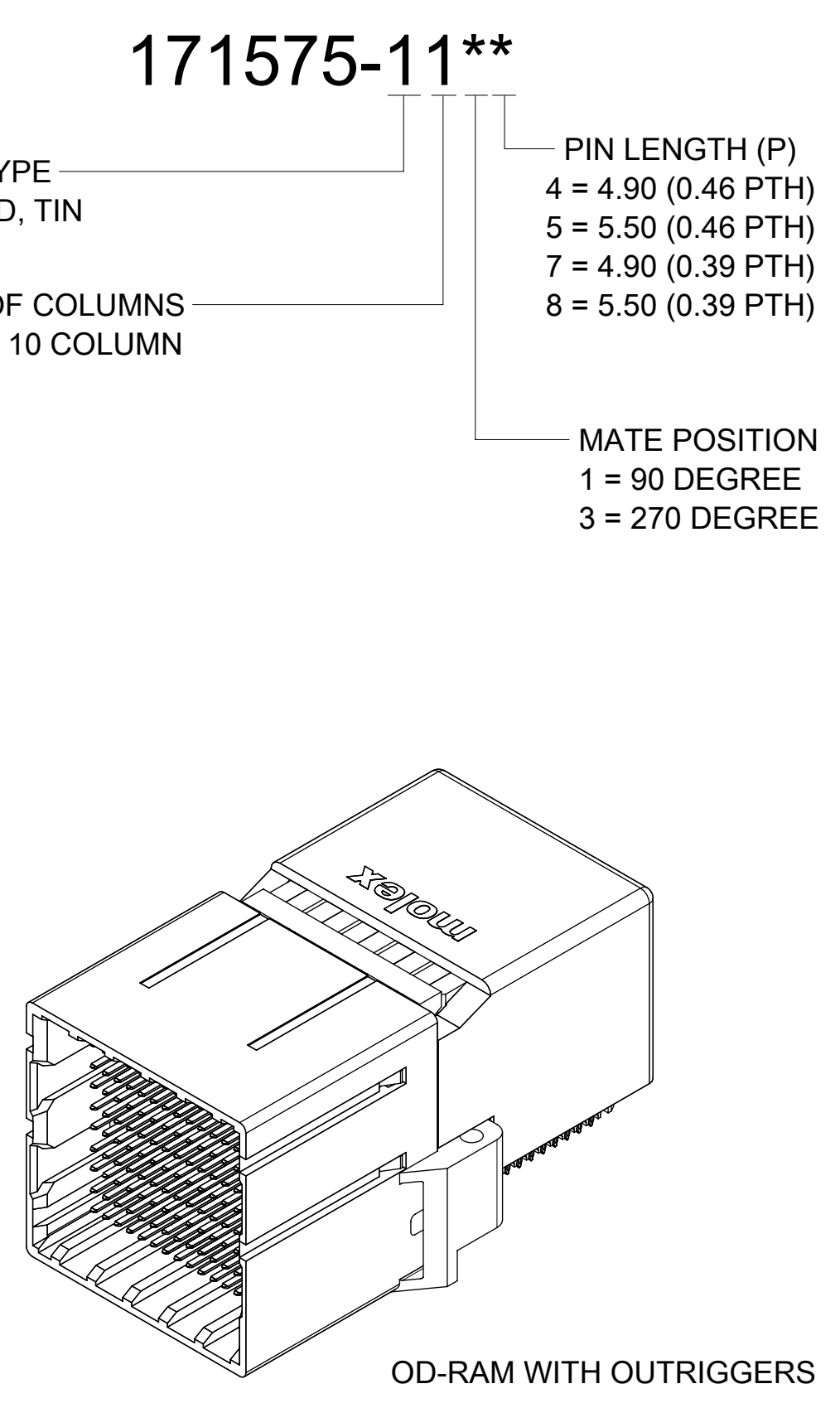


THIS DRAWING CONTAINS INFORMATION THAT IS PROPRIETARY TO MOLEX ELECTRONIC TECHNOLOGIES, LLC AND SHOULD NOT BE USED WITHOUT WRITTEN PERMISSION																			
DIMENSION UNITS		SCALE		CURRENT REV DESC: MIGRATED TO NX															
MM		NTS		<p>IMPACT ORTHOGONAL DIRECT 5 PAIR RAM 90 & 270 ASSY UNGUIDED SALES DRAWING</p> <p>PRODUCT CUSTOMER DRAWING</p> <table border="1"> <tr> <td colspan="2">DOCUMENT NUMBER</td> <td>DOC TYPE</td> <td>DOC PART</td> <td>REVISION</td> </tr> <tr> <td colspan="2">SD-171575-0001</td> <td>PSD</td> <td>001</td> <td>B3</td> </tr> </table>						DOCUMENT NUMBER		DOC TYPE	DOC PART	REVISION	SD-171575-0001		PSD	001	B3
DOCUMENT NUMBER		DOC TYPE	DOC PART							REVISION									
SD-171575-0001		PSD	001							B3									
GENERAL TOLERANCES (UNLESS SPECIFIED)																			
ANGULAR TOL ± 0.5°																			
4 PLACES ±																			
3 PLACES ±																			
2 PLACES ± 0.13																			
1 PLACE ± 0.25																			
0 PLACES ±																			
DRAFT WHERE APPLICABLE MUST REMAIN WITHIN DIMENSIONS				THIRD ANGLE PROJECTION		DRAWING		SERIES											
		C-SIZE		171575		MATERIAL NUMBER		CUSTOMER											
						SEE CHART		GENERAL MARKET											
DOCUMENT STATUS		P1		RELEASE DATE		2022/05/13		03:05:12											
12		11		10		9		8											



MATED DIMENSIONS
(POSITION 90° SHOWN)

- NOTES:**
- MATERIALS: HOUSING - LIQUID CRYSTAL POLYMER (LCP)
GLASS-FILLED, UL94V-0
TERMINALS - HIGH PERFORMANCE COPPER ALLOY
 - FINISH: 30μ MIN GOLD IN CONTACT AREA.
SELECTIVE TIN ON PCB TAILS.
NICKEL OVERALL.
 - REFER TO MOLEX PRODUCT SPECIFICATION PS-76060-999 FOR PERFORMANCE SPECIFICATIONS AND ADDITIONAL PCB INFORMATION.
 - THIS PART CONFORMS TO CLASS B REQUIREMENTS OF COSMETIC SPEC PS-45499-002.
 - PACKAGE PER: PK-70873-8022.
 - SEE SHEET 3 AND 4 FOR ORTHOGONAL PIN MAPPING.
 - REFER TO MOLEX SALES DRAWING SD-76990-001 FOR THE MATING RECEPTACLES.
 - REFER TO MOLEX ROUTING GUIDE AS-76850-990 FOR ADDITIONAL PCB LAYOUT AND ROUTING RECOMMENDATIONS.
 - CONNECTORS ARE SUPPLIED WITH TWO 2-32 SCREWS P/N 73726-0000. (9.50mm±0.38 THREADABLE SCREW LENGTH). THE MAXIMUM BOARD THICKNESS IS 4.4mm.
 - THESE DIMENSIONS REPRESENT THE AREA NEEDED TO ACCOMODATE CONNECTOR INSERTION AND REPAIR ON THE PC BOARD. THIS IS REFERRED TO AS THE "CONNECTOR KEEP OUT ZONE" AND DOES NOT REPRESENT THE ACTUAL PERIMETER OF THE CONNECTOR.
 - MARKING: LOCATED APPROXIMATELY AS SHOWN, ON THE BOTTOM OR TOP OF HOUSING. PART NUMBER AND DATE CODE.

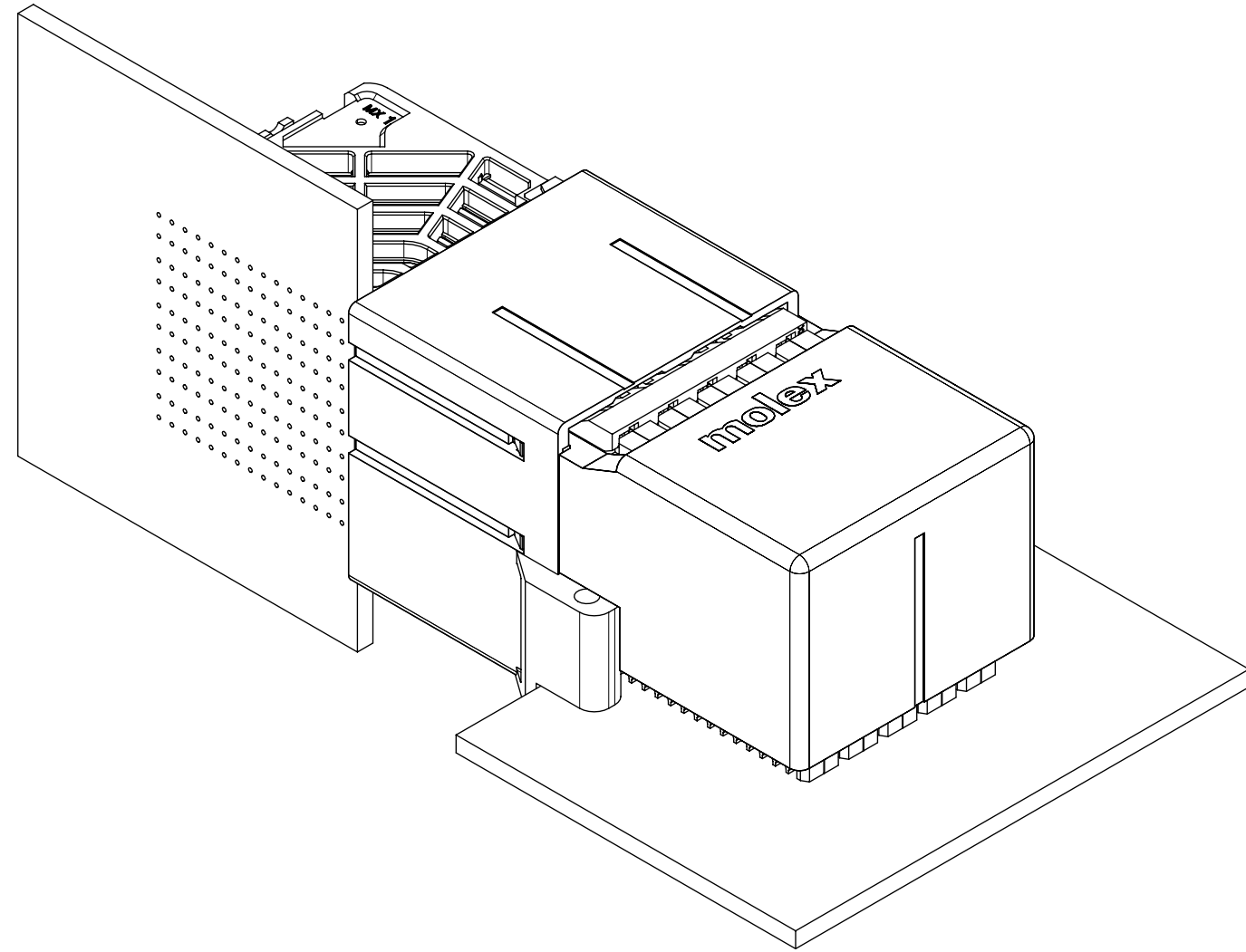


THIS DRAWING CONTAINS INFORMATION THAT IS PROPRIETARY TO MOLEX ELECTRONIC TECHNOLOGIES, LLC AND SHOULD NOT BE USED WITHOUT WRITTEN PERMISSION									
DIMENSION UNITS		SCALE		CURRENT REV DESC: MIGRATED TO NX				molex	
MM	NTS								
GENERAL TOLERANCES (UNLESS SPECIFIED)				EC NO: 705090				IMPACT ORTHOGONAL DIRECT 5 PAIR RAM 90 & 270 ASSY UNGUIDED SALES DRAWING	
ANGULAR TOL ± 0.5°				DRWN: TMARRI 2018/09/18					
4 PLACES ±				CHK'D: VINODM3 2022/02/17					
3 PLACES ±				APPR: LZENG 2022/05/13				PRODUCT CUSTOMER DRAWING	
2 PLACES ± 0.13				INITIAL REVISION:				DOCUMENT NUMBER	
1 PLACE ± 0.25				DRWN: JMENDOZA 2012/04/13				SD-171575-0001	
0 PLACES ±				APPR: TELO 2013/12/26				DOC TYPE DOC PART REVISION	
DRAFT WHERE APPLICABLE MUST REMAIN WITHIN DIMENSIONS		THIRD ANGLE PROJECTION		DRAWING		SERIES		MATERIAL NUMBER CUSTOMER SHEET NUMBER	
		C-SIZE		171575		SEE CHART GENERAL MARKET		2 OF 4	

DOCUMENT STATUS	P1	RELEASE DATE	2022/05/13	03:05:12
-----------------	----	--------------	------------	----------

ORTHO POSITION 90°

OD-RAM PIN A1 MAPS
TO RAF PIN Q10




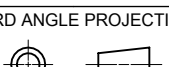
ORTHO PIN MAPPING

OPTION 90 (NEARSIDE - FAR SIDE)

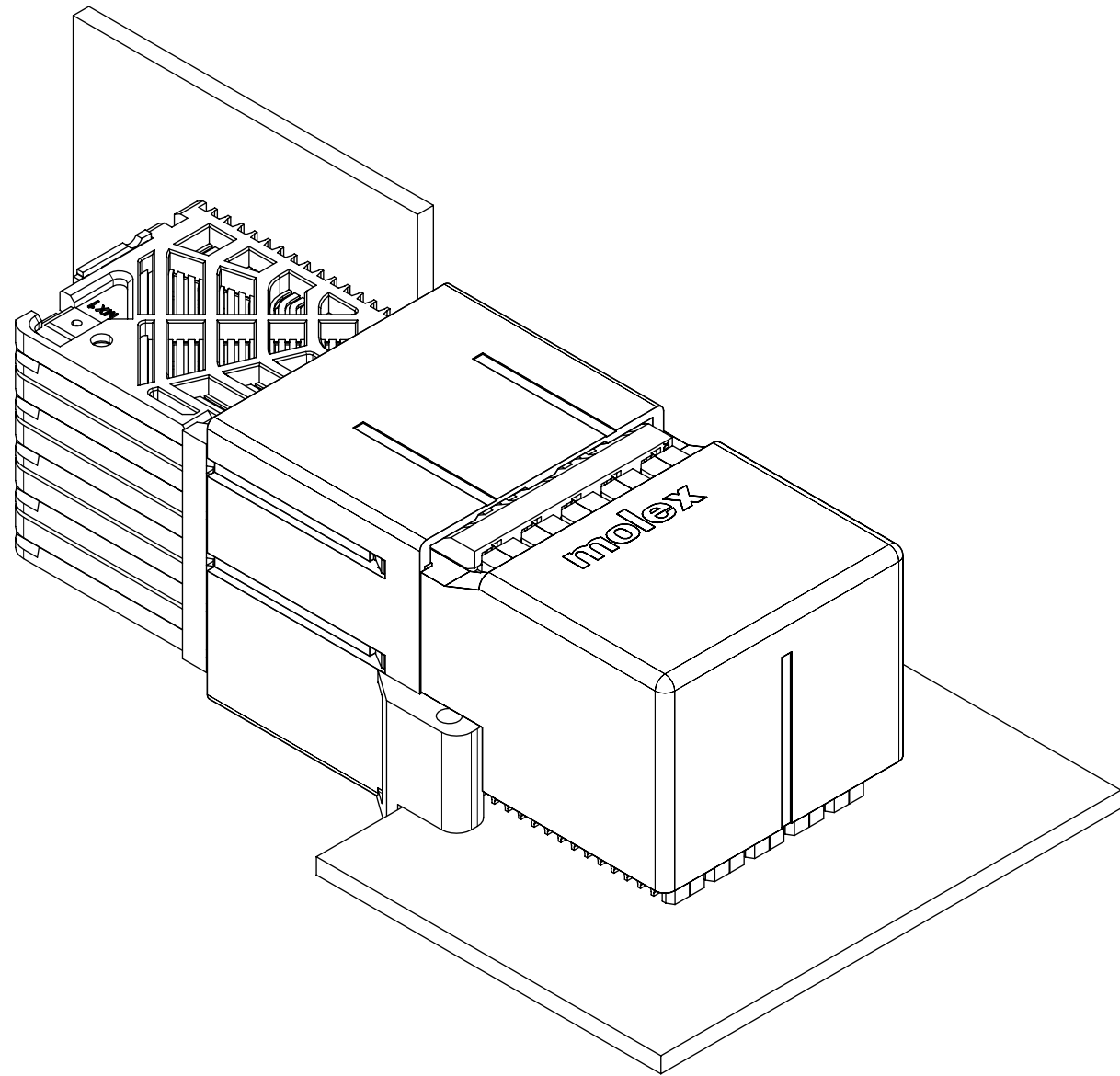
A1-Q10	A2-P10	A3-M10	A4-L10	A5-J10	A6-H10	A7-F10	A8-E10	A9-C10	A10-B10
B1-Q9	B2-N10	B3-M9	B4-K10	B5-J9	B6-G10	B7-F9	B8-D10	B9-C9	B10-A10
C1-P9	C2-N9	C3-L9	C4-K9	C5-H9	C6-G9	C7-E9	C8-D9	C9-B9	C10-A9
D1-Q8	D2-P8	D3-M8	D4-L8	D5-J8	D6-H8	D7-F8	D8-E8	D9-C8	D10-B8
E1-Q7	E2-N8	E3-M7	E4-K8	E5-J7	E6-G8	E7-F7	E8-D8	E9-C7	E10-A8
F1-P7	F2-N7	F3-L7	F4-K7	F5-H7	F6-G7	F7-E7	F8-D7	F9-B7	F10-A7
G1-Q6	G2-P6	G3-M6	G4-L6	G5-J6	G6-H6	G7-F6	G8-E6	G9-C6	G10-B6
H1-Q5	H2-N6	H3-M5	H4-K6	H5-J5	H6-G6	H7-F5	H8-D6	H9-C5	H10-A6
J1-P5	J2-N5	J3-L5	J4-K5	J5-H5	J6-G5	J7-E5	J8-D5	J9-B5	J10-A5
K1-Q4	K2-P4	K3-M4	K4-L4	K5-J4	K6-H4	K7-F4	K8-E4	K9-C4	K10-B4
L1-Q3	L2-N4	L3-M3	L4-K4	L5-J3	L6-G4	L7-F3	L8-D4	L9-C3	L10-A4
M1-P3	M2-N3	M3-L3	M4-K3	M5-H3	M6-G3	M7-E3	M8-D3	M9-B3	M10-A3
N1-Q2	N2-P2	N3-M2	N4-L2	N5-J2	N6-H2	N7-F2	N8-E2	N9-C2	N10-B2
P1-Q1	P2-N2	P3-M1	P4-K2	P5-J1	P6-G2	P7-F1	P8-D2	P9-C1	P10-A2
Q1-P1	Q2-N1	Q3-L1	Q4-K1	Q5-H1	Q6-G1	Q7-E1	Q8-D1	Q9-B1	Q10-A1

NOTE: PINOUTS SHOWN IN BALLOONS ARE GROUNDS.
GROUND PATHS ARE NOT DISCRETE CIRCUITS.

MATERIAL NUMBER	# OF COLUMNS	# OF DIFF PAIR	MATE POSITION	DIM P	PTH Ø
171575-1114	10	50	90	4.90	0.46±0.05
171575-1115	10	50	90	5.50	0.46±0.05
171575-1117	10	50	90	4.90	0.39±0.05
171575-1118	10	50	90	5.50	0.39±0.05

THIS DRAWING CONTAINS INFORMATION THAT IS PROPRIETARY TO MOLEX ELECTRONIC TECHNOLOGIES, LLC AND SHOULD NOT BE USED WITHOUT WRITTEN PERMISSION													
DIMENSION UNITS		SCALE		CURRENT REV DESC: MIGRATED TO NX									
MM		NTS		 IMPACT ORTHOGONAL DIRECT 5 PAIR RAM 90 & 270 ASSY UNGUIDED SALES DRAWING PRODUCT CUSTOMER DRAWING									
GENERAL TOLERANCES (UNLESS SPECIFIED)										EC NO: 705090		2018/09/18	
ANGULAR TOL ± 0.5°										DRWN: TMARRI		2022/02/17	
4 PLACES ±										CHK'D: VINODM3		2022/05/13	
3 PLACES ±										APPR: LZENG			
2 PLACES ± 0.13				INITIAL REVISION:									
1 PLACE ± 0.25				DRWN: JMENDOZA		2012/04/13							
0 PLACES ±				APPR: TELO		2013/12/26							
DRAFT WHERE APPLICABLE MUST REMAIN WITHIN DIMENSIONS		THIRD ANGLE PROJECTION		DRAWING		SERIES		DOCUMENT NUMBER					
				C-SIZE		171575		SD-171575-0001					
								DOC TYPE DOC PART REVISION					
								PSD 001 B3					
								MATERIAL NUMBER CUSTOMER SHEET NUMBER					
								SEE CHART GENERAL MARKET 3 OF 4					

ORTHO POSITION 270°
 OD-RAM PIN A1 MAPS
 TO RAF PIN A1



ORTHO PIN MAPPING


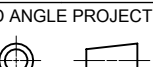
OPTION 270 (NEARSIDE - FAR SIDE)

A1-A1	A2-B1	A3-D1	A4-E1	A5-G1	A6-H1	A7-K1	A8-L1	A9-N1	A10-P1
B1-A2	B2-C1	B3-D2	B4-F1	B5-G2	B6-J1	B7-K2	B8-M1	B9-N2	B10-Q1
C1-B2	C2-C2	C3-E2	C4-F2	C5-H2	C6-J2	C7-L2	C8-M2	C9-P2	C10-Q2
D1-A3	D2-B3	D3-D3	D4-E3	D5-G3	D6-H3	D7-K3	D8-L3	D9-N3	D10-P3
E1-A4	E2-C3	E3-D4	E4-F3	E5-G4	E6-J3	E7-K4	E8-M3	E9-N4	E10-Q3
F1-B4	F2-C4	F3-E4	F4-F4	F5-H4	F6-J4	F7-L4	F8-M4	F9-P4	F10-Q4
G1-A5	G2-B5	G3-D5	G4-E5	G5-G5	G6-H5	G7-K5	G8-L5	G9-N5	G10-P5
H1-A6	H2-C5	H3-D6	H4-F5	H5-G6	H6-J5	H7-K6	H8-M5	H9-N6	H10-Q5
J1-B6	J2-C6	J3-E6	J4-F6	J5-H6	J6-J6	J7-L6	J8-M6	J9-P6	J10-Q6
K1-A7	K2-B7	K3-D7	K4-E7	K5-G7	K6-H7	K7-K7	K8-L7	K9-N7	K10-P7
L1-A8	L2-C7	L3-D8	L4-F7	L5-G8	L6-J7	L7-K8	L8-M7	L9-N8	L10-Q7
M1-B8	M2-C8	M3-E8	M4-F8	M5-H8	M6-J8	M7-L8	M8-M8	M9-P8	M10-Q8
N1-A9	N2-B9	N3-D9	N4-E9	N5-G9	N6-H9	N7-K9	N8-L9	N9-N9	N10-P9
P1-A10	P2-C9	P3-D10	P4-F9	P5-G10	P6-J9	P7-K10	P8-M9	P9-N10	P10-Q9
Q1-B10	Q2-C10	Q3-E10	Q4-F10	Q5-H10	Q6-J10	Q7-L10	Q8-M10	Q9-P10	Q10-Q10

NOTE: PINOUTS SHOWN IN BALLOONS ARE GROUNDS.
 GROUND PATHS ARE NOT DISCRETE CIRCUITS.

MATERIAL NUMBER	# OF COLUMNS	# OF DIFF PAIR	MATE POSITION	DIM P	PTH Ø
171575-1134	10	50	270	4.90	0.46±0.05
171575-1135	10	50	270	5.50	0.46±0.05
171575-1137	10	50	270	4.90	0.39±0.05
171575-1138	10	50	270	5.50	0.39±0.05

THIS DRAWING CONTAINS INFORMATION THAT IS PROPRIETARY TO MOLEX ELECTRONIC TECHNOLOGIES, LLC AND SHOULD NOT BE USED WITHOUT WRITTEN PERMISSION

DIMENSION UNITS	SCALE	CURRENT REV DESC: MIGRATED TO NX		 IMPACT ORTHOGONAL DIRECT 5 PAIR RAM 90 & 270 ASSY UNGUIDED SALES DRAWING		
MM	NTS					
GENERAL TOLERANCES (UNLESS SPECIFIED)		EC NO: 705090		2018/09/18		
ANGULAR TOL ± 0.5°		DRWN: TMARRI		2022/02/17		
4 PLACES ±		CHK'D: VINODM3		2022/05/13		
3 PLACES ±		APPR: LZENG		INITIAL REVISION:		
2 PLACES ± 0.13		DRWN: JMENDOZA		2012/04/13		
1 PLACE ± 0.25		APPR: TELO		2013/12/26		
0 PLACES ±		THIRD ANGLE PROJECTION		DRAWING SERIES		
DRAFT WHERE APPLICABLE MUST REMAIN WITHIN DIMENSIONS				C-SIZE 171575		
DOCUMENT NUMBER		CUSTOMER		SHEET NUMBER		
SD-171575-0001		GENERAL MARKET		4 OF 4		