

| MATERIAL NO. | ENGINEERING NO. | FINISHED LENGTH |
|--------------|-----------------|-----------------------|
| 1300620278 | 114130K21M010 | 3 FT 3.3 IN (1M) |
| 1300621176 | 114130K21M400 | 131 FT 2.7 IN (40 M) |
| 1300621187 | 114130K21M800 | 262 FT. 5.5 IN (80 M) |

CABLE LENGTH TOLERANCES

<.3M [1FT]: +19mm-0 [+.75in-0]

.3 - .9M [1 - 3FT]: +44.5mm-0 [+1.75in-0]

.9 - 1.8M [3 - 6FT]: +55.6mm-0 [+2.19in-0]

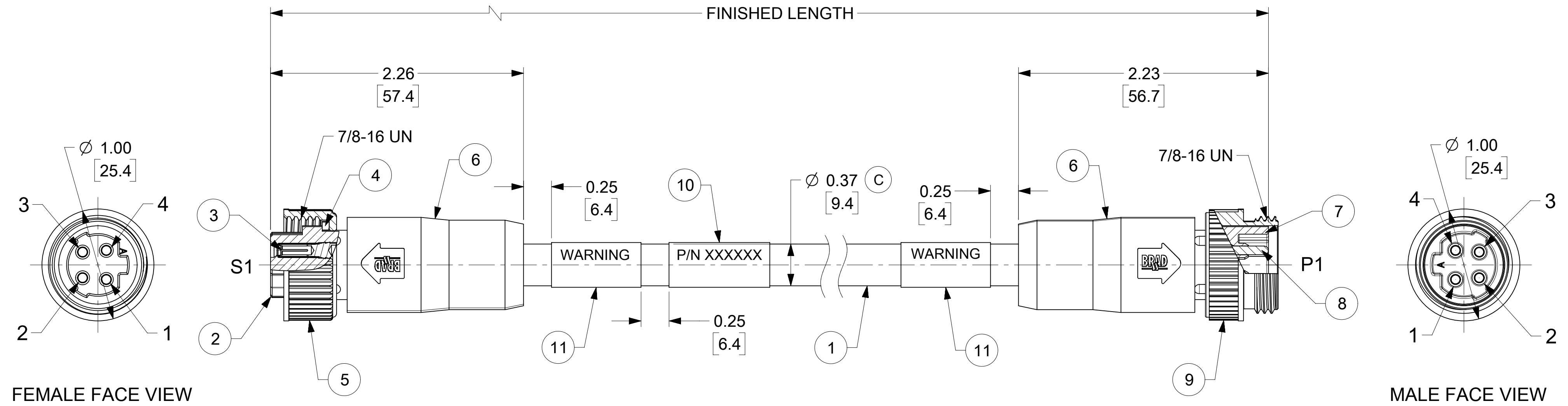
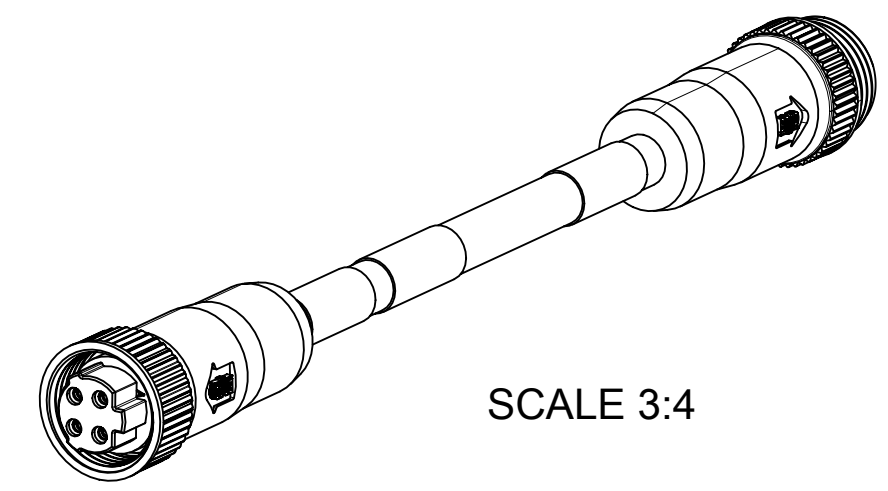
1.8 - 3.7M [6 - 12FT]: +88.9mm-0 [+3.50in-0]

3.7 - 7.3M [12 - 24FT]: +165.1mm-0 [+6.50in-0]

7.3-14.6M [24 - 48FT]: +317.5mm-0 [+12.50in-0]

14.6 - 30.5M [48-100FT]: +622.3mm-0 [+24.50in-0]

OVER 30M [100FT] +2% OF FINISHED LENGTH



- NOTES:**
- MATERIAL: AS NOTED
 - FINISH: AS NOTED
 - ELECTRICAL:
 - VOLTAGE: 483V PER IEC60664
 - 600V PER UL2237
 - CURRENT: 15A
 - TEMP RATING: -20°C TO +90°C
 - PROTECTION: IP67 (WHEN MATED)
 - UL LISTED FILE: E258922
 - ALL DIMS ARE FOR REFERENCE UNLESS TOLERANCED OR NOTED OTHERWISE

WIRING DIAGRAM

| S1 | | P1 |
|----|--------------|----|
| 1 | BLACK #1 | 1 |
| 2 | BLACK #2 | 2 |
| 3 | BLACK #3 | 3 |
| 4 | GREEN/YELLOW | 4 |

PART NUMBER LEGEND

114130K21M010

FINISHED LENGTH
 M001 = 0.1 METER
 M010 = 1 METER
 M100 = 10 METER

| ITEM | DESCRIPTION | MATERIAL | FINISH |
|------|---------------------|---------------|------------------|
| 11 | WARNING LABEL | VINYL | BLACK/ORANGE |
| 10 | WRAP LABEL | VINYL | BLACK/YELLOW |
| 9 | MALE COUPLING NUT | ZINC DIE-CAST | BLACK E-COATED |
| 8 | PIN CONTACT | Cu ALLOY | GOLD OVER NICKEL |
| 7 | MALE INSERT | TPE | BLACK |
| 6 | OVERMOLD | TPE | BLACK |
| 5 | FEMALE COUPLING NUT | ZINC DIE-CAST | BLACK E-COATED |
| 4 | FRICTION RING | NYLON | WHITE |
| 3 | SOCKET CONTACT | Cu ALLOY | GOLD OVER NICKEL |
| 2 | FEMALE INSERT | TPE | BLACK |
| 1 | CABLE, 14 AWG-TC-ER | TPE | BLACK |

| | | | | | |
|---|--|---|--|--|----------------------|
| FUNCTIONAL SYMBOLS $\frac{E}{A} = 0$ $\frac{E}{C} = 0$ $\frac{E}{P} = 0$ | DIMENSION UNITS INCH/MM | SCALE 1.5:1 | CURRENT REV DESC: UPDATED ITEM #2.6,7 WERE PVC 10,11 WERE MYLAR. ADDED IEC VOLT, DIA., TOL. CHART & PART NO CHART. | <p>BRAD POWER CORDSET, A SIZE 4 POLE, MALE-FEMALE, STRAIGHT, TRI-KEY, 14 AWG</p> | |
| | GENERAL TOLERANCES (UNLESS SPECIFIED) | | EC NO: 709714 DRWN: VHANDI CHK'D: RSTONE APPR: BWOODMAN | | |
| | DIVISIONAL SYMBOLS 4 PLACES ± ± 3 PLACES ± ± 2 PLACES ± ± 1 PLACE ± ± 0 PLACES ± ± | ANGULAR TOL ± ° | INITIAL REVISION: DRWN: BRUPERT APPR: BWOODMAN | | |
| | DRAFT WHERE APPLICABLE MUST REMAIN WITHIN DIMENSIONS | THIRD ANGLE PROJECTION | DRAWING SERIES C-SIZE 130062 | | |
| DOCUMENT STATUS P1 | RELEASE DATE 2022/06/14 13:48:41 | DOCUMENT NUMBER SD-130062-022 | DOC TYPE PSD | DOC PART 001 | REVISION C |
| MATERIAL NUMBER SEE TABLE | | CUSTOMER GENERAL MARKET | | SHEET NUMBER 1 OF 1 | |