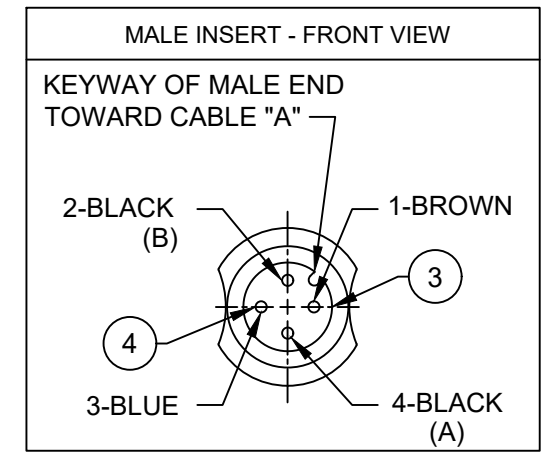


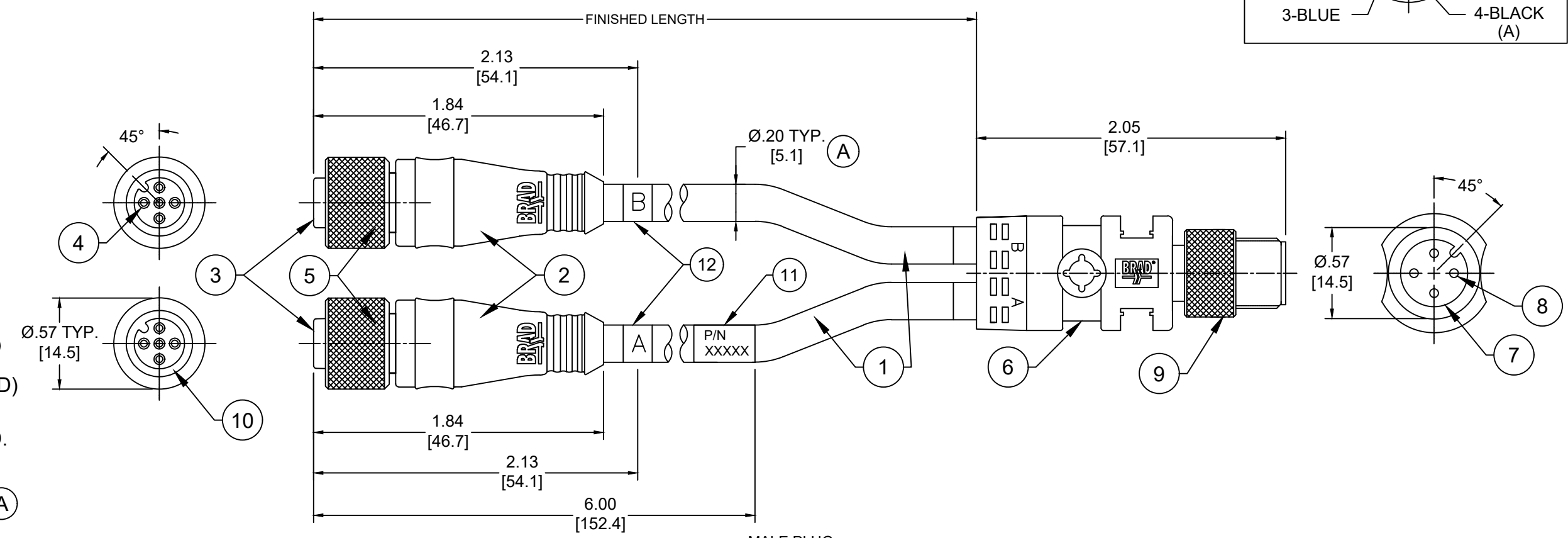
PART NO	ENGINEERING NO.	FINISHED LENGTH
1200680175	884A30A09M003	0.3M [1 FT]
1200680176	884A30A09M006	0.6M [2 FT]
1200680177	884A30A09M010	1M [3 FT 3 IN]

(A) PART NO. MATRIX
884A30A09M003

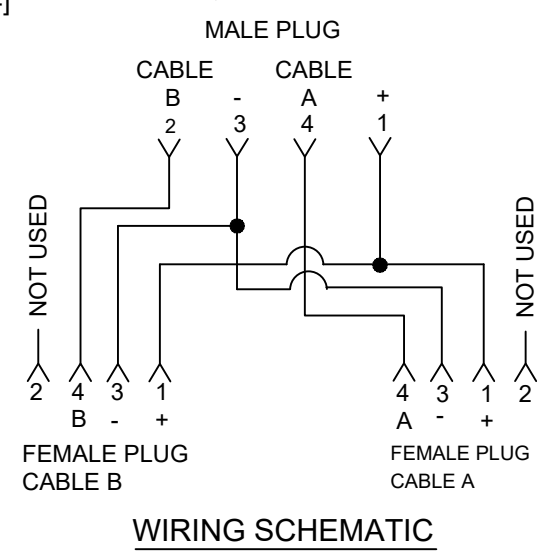
FINISHED LENGTH:
M005= 0.5 METER
M010= 1 METER
M100= 10 METER



- NOTES:
- MATERIAL: AS NOTED
 - FINISH: AS NOTED
 - ELECTRICAL:
VOLTAGE: 250V (A)
CURRENT: 4A
 - TEMP RATING: -20°TO +105°C (A)
 - PROTECTION: IP67 (WHEN MATED)
 - COUPLING THREAD:
FEMALE: M12 X 1 INTERNAL THD.
MALE: M12 X 1 EXTERNAL THD.
 - UL RECOGNIZED FILE: E152210 (A)
CSA CERTIFIED FILE: LR6837
 - ALL DIMENSIONS ARE FOR REFERENCE UNLESS TOLERANCED OR NOTED OTHERWISE



ITEM	DESCRIPTION	MATERIAL	FINISH
12	ID LABEL	VINYL	BLACK/WHITE (A)
11	WRAP LABEL	VINYL	BLACK/YELLOW (A)
10	O-RING	VITON	RED
9	MALE COUPLING NUT	BRASS	NICKEL PLATED
8	CONTACT PIN	COPPER ALLOY	GOLD OVER NICKEL
7	MALE INSERT	PUR	BLACK
6	MALE OVERMOLD	PUR	YELLOW (A)
5	FEMALE COUPLING NUT	BRASS	NICKEL PLATED
4	CONTACT SOCKET	COPPER ALLOY	GOLD OVER NICKEL
3	FEMALE INSERT	PUR	BLACK
2	FEMALE OVERMOLD	PUR	YELLOW (A)
1	CABLE #22-3	PVC	YELLOW



(A)

CABLE LENGTH TOLERANCES
<.3M [1FT]: +19mm-0 [+ .75in-0]
.3 - .9M [1 - 3FT]: +44.5mm-0 [+1.75in-0]
.9 - 1.8M [3 - 6FT]: +55.6mm-0 [+2.19in-0]
1.8 - 3.7M [6 - 12FT]: +88.9mm-0 [+3.50in-0]
3.7 - 7.3M [12 - 24FT]: +165.1mm-0 [+6.50in-0]
7.3-14.6M [24 - 48FT]: +317.5mm-0 [+12.50in-0]
14.6 - 30.5M [48-100FT]: +622.3mm-0 [+24.50in-0]
OVER 30M [100FT] +2% OF FINISHED LENGTH

FUNCTIONAL SYMBOLS	THIS DRAWING CONTAINS INFORMATION THAT IS PROPRIETARY TO MOLEX ELECTRONIC TECHNOLOGIES, LLC AND SHOULD NOT BE USED WITHOUT WRITTEN PERMISSION	
INCH/MM	SCALE	CURRENT REV DESC: ITEM 2 & 6 WAS TPU & 11 WAS MYLAR. ADDED ITEM-12, UL, CSA, CABLE DIA, TOL CHART & PN MATRIX. UPDATED TEMP RATING AND VOLTAGE WAS 30VDC
GENERAL TOLERANCES (UNLESS SPECIFIED)	NTS	
4 PLACES ±----	mm	EC NO: 669893
3 PLACES ±----	INCH	DRWN: ABENJAMINLW 2021/03/23
2 PLACES ±----		CHK'D: RSTONE 2021/07/12
1 PLACE ±----		APPR: BWOODMAN 2021/07/14
DIVISIONAL SYMBOLS		INITIAL REVISION:
0 PLACES ±----		DRWN: BBRAUCH 2010/02/08
ANGULAR TOL ± --- °		APPR: NSTAUDIG 2010/02/15
DRAFT WHERE APPLICABLE MUST REMAIN WITHIN DIMENSIONS	THIRD ANGLE PROJECTION	DRAWING
		SERIES
		MATERIAL NUMBER
		CUSTOMER
		SHEET NUMBER

micro-change cordset-splitter
M12, 4-3 POLE, MALE-FEMALE, STRAIGHT,
SINGLE KEY, 22 AWG

PRODUCT CUSTOMER DRAWING

DOCUMENT NUMBER: SD-120068-024 DOC TYPE: PSD DOC PART: 001 REVISION: A

SEE CHART GENERAL MARKET 1 OF 1