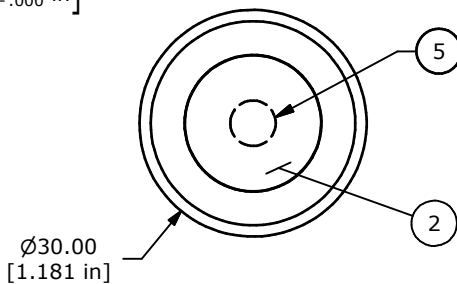
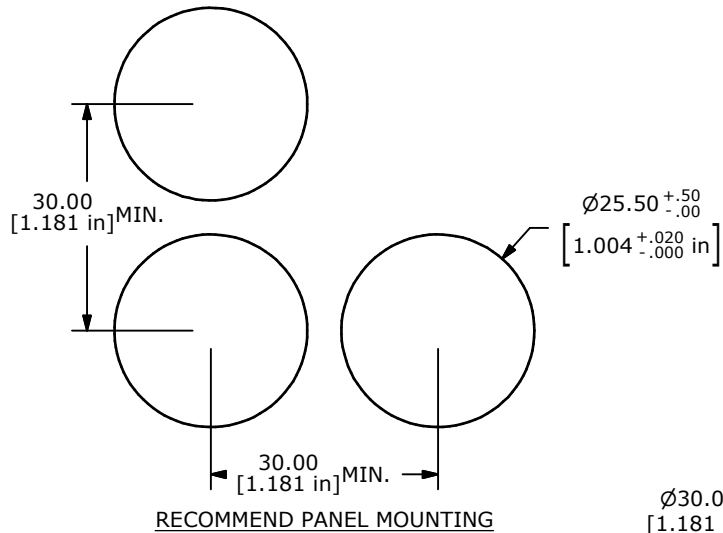
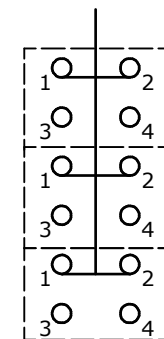
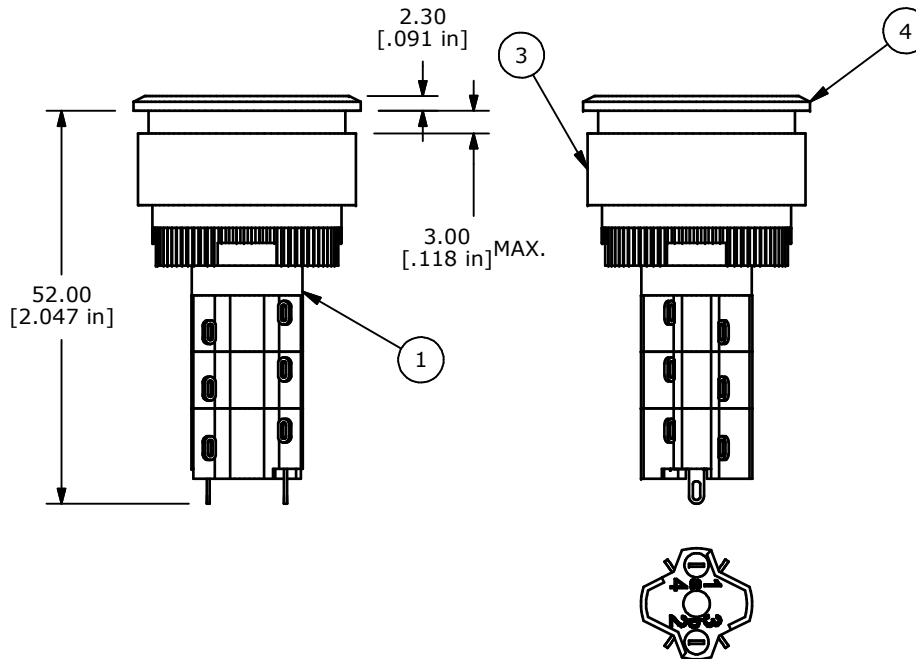
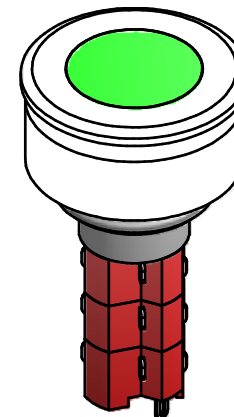


▲ Parts List

ITEM	QTY	PART NUMBER	DESCRIPTION
1	1	F060604	LASEEV13
2	1	F060202	25 MM GRN LENS
3	1	F051705	30MM FLUSH MOUNT RETAINER
4	1	F051704	30MM FLUSH MOUNT BEZEL
5	1	F050419	5000419 LED 12VDC GRN



ISOMETRIC



a ○ L ○ b (+)  
3PDT

▲ CONTACT CONFIGURATION

NOTES:

- ALL DIMENSIONS IN MM [INCH].
- GENERAL TOLERANCE: 0.0±0.4  
0.00±0.25
- TERM. NOS. FOR REF. ONLY.
- RATING: 5A @250VAC  
8A @125VAC  
0.2A @250VDC  
6A @24VDC
- INSULATION: 1,000 MΩ MIN.
- DIELECTRIC STRENGTH: 2000V FOR 1 MIN.
- SEALED TO IP65.
- TRAVEL: 3.0MM FULL TRAVEL
- ELECTRICAL LIFE: >50,000 CYCLES
- OPERATING TEMP: -25C TO +55C
- PANEL THICKNESS: 0.5MM TO 3.0MM
- ▲ LAMP VOLTAGE: LED 12VDC GREEN
- ▲ DENOTES CRITICAL PARAMETER.
- PACKAGE: BOX/20 PCS PER.
- 2002/95/EC (ROHS) COMPLIANT



TITLE LASOAV33JGRNGRN

A	18333	RELEASED FOR PRODUCTION	12/5/08	BLR
REV	PCR NO	DESCRIPTION	DATE	BY

THE INFORMATION CONTAINED IN THIS DOCUMENT IS PROPRIETARY TO E-SWITCH AND IS NOT TO BE COPIED OR TRANSFERRED

SCALE	DATE	DR	DWG	REV
1:1	12/5/2008	BLR	XF0778P	A