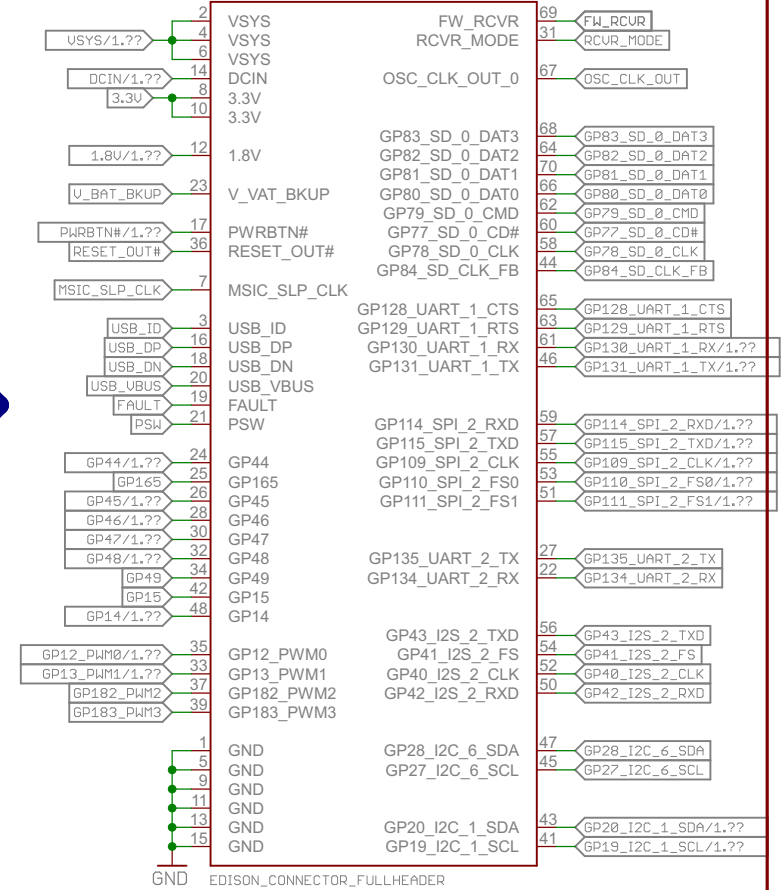
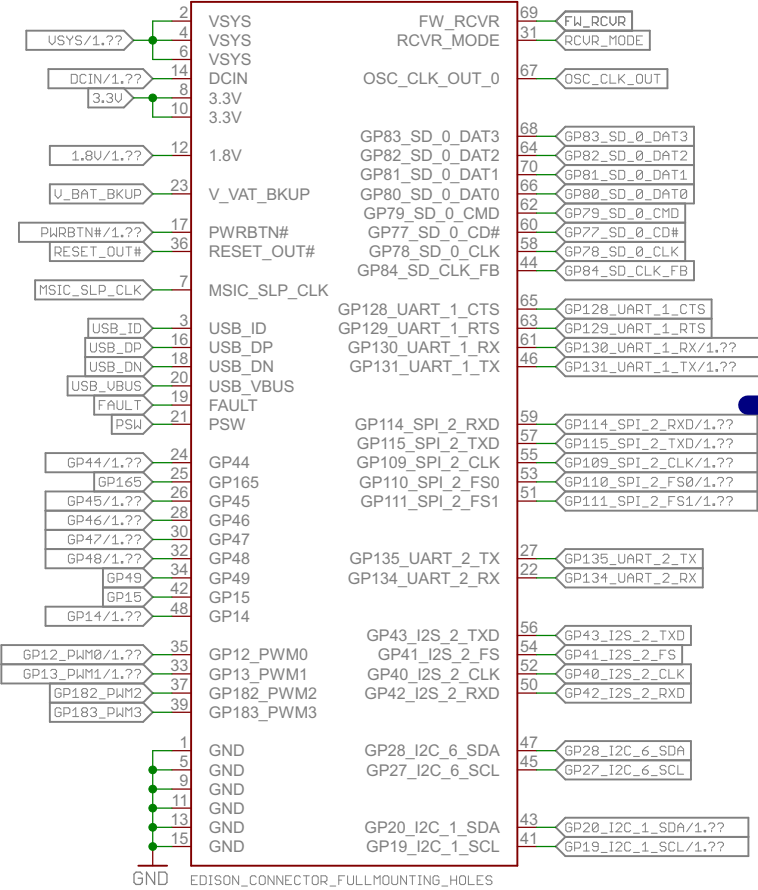


TOP-EDISON

U2 (Bottom Copper)

BOTTOM

Component side (Top Copper)



Released under the Creative Commons Attribution Share-Alike 4.0 License
<https://creativecommons.org/licenses/by-sa/4.0/>

TITLE: Pi_Block_v10

Design by Shawn Hymel

REV: v10

Date: 7/30/2015 12:54:52 PM

Sheet: 2/2