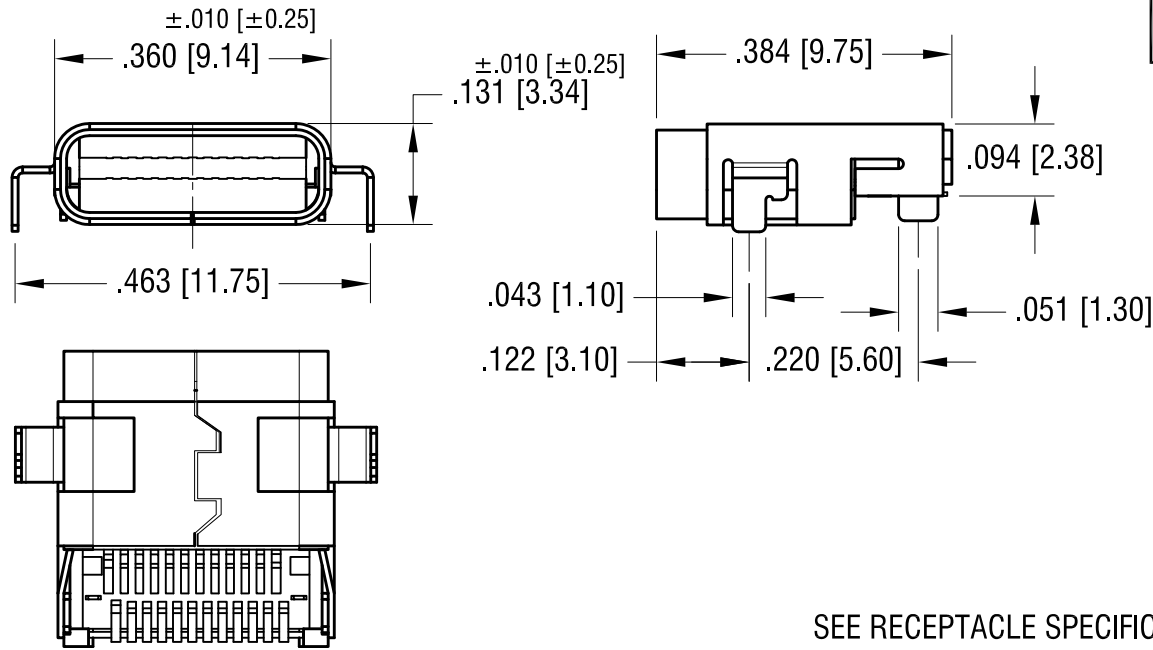


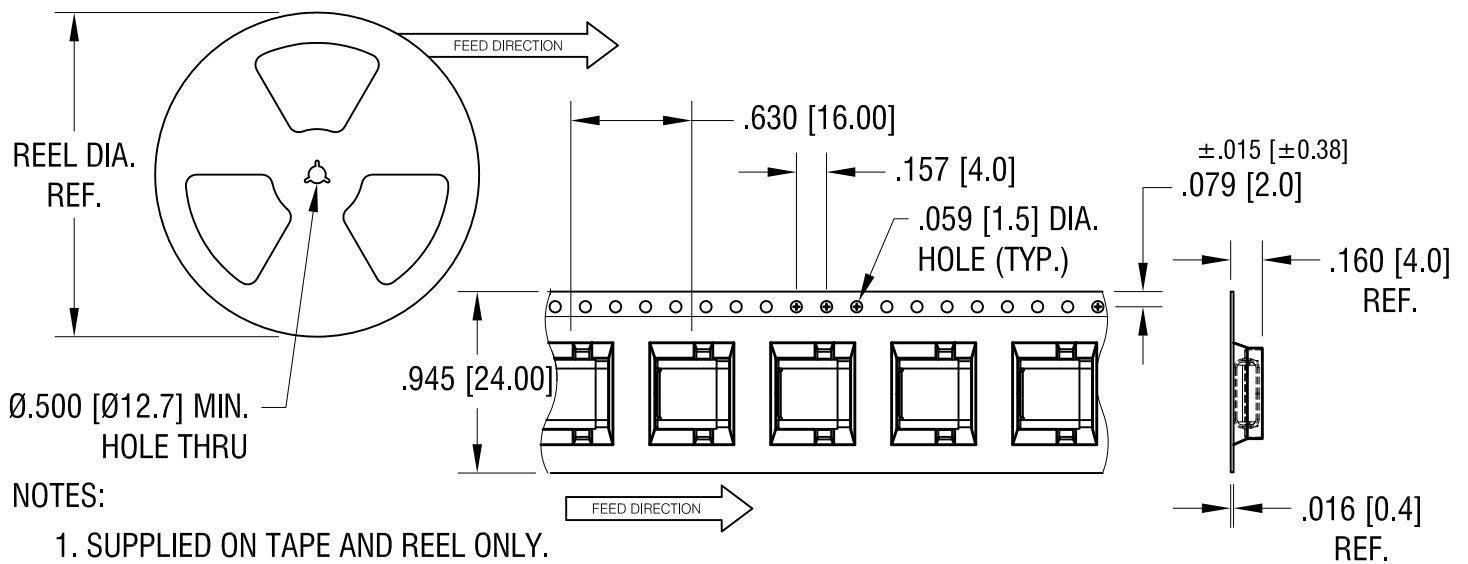
THIS DOCUMENT IS THE PROPERTY OF KEYSTONE ELECTRONICS CORP. AND SHALL NOT BE REPRODUCED, DISTRIBUTED OR USED AS A BASIS FOR MANUFACTURE WITHOUT PRIOR WRITTEN PERMISSION FROM KEYSTONE ELECTRONICS CORP.



ACTUAL SIZE



SEE RECEPTACLE SPECIFICATION ON PAGE 2 OF 2



NOTES:

- SUPPLIED ON TAPE AND REEL ONLY. TAPE AND REEL SPECIFICATIONS:
- TAPE:
MAT'L - ALL CONDUCTIVE POLYSTYRENE CARRIER
ANSI/EIA-481 STANDARD
- REEL:
13.0 [330.2] DIA. 900 PIECES PER REEL

PAGE 1 OF 2

7.18.18	PACKAGING CHANGED , WAS BULK CHANGE AS PER ECN 18-027	B
12.11.15	CHANGE AS PER ECN 15-139	A
DATE	DESCRIPTION	REV.

KEYSTONE ELECTRONICS CORP.			
www.keyelco.com • NEW HYDE PARK, NY 11040 • Tel (516) 328-7500			
PART NAME USB 3.1 TYPE-C RECEPTACLE- SMT TYPE			
MATERIAL AS NOTED			
FINISH AS NOTED		DRN BY NT	DATE 4.13.15
		APP'D LN	SCALE 4X, 1X
TOLERANCES INCH [MM] DECIMAL $\pm .005$ [± 0.13] ANGULAR $\pm 1^\circ$ UNLESS OTHERWISE SPECIFIED	CODE C	DWG NO. 953	

