

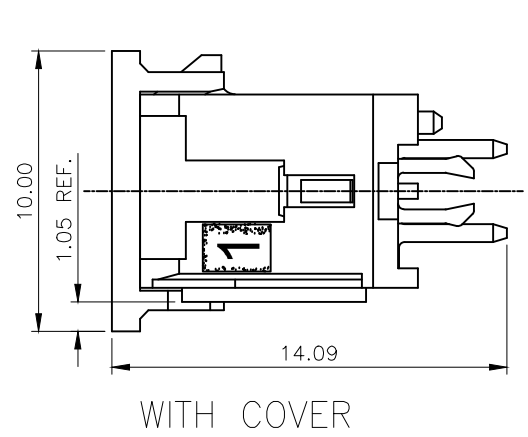
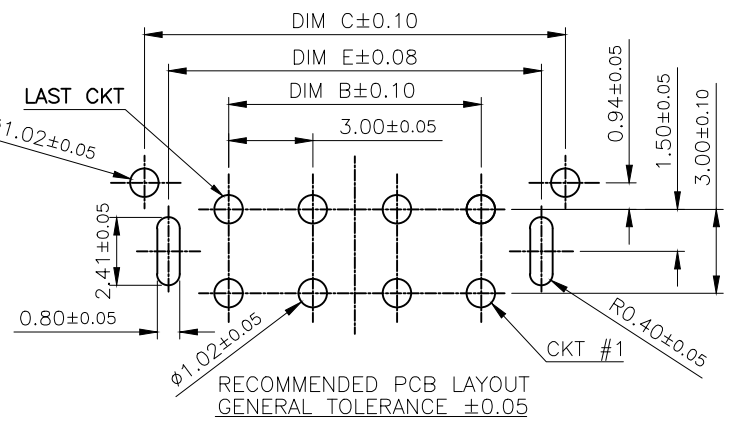
NOTES:

- MATERIAL:
 - HOUSING: THERMOPLASTIC, HIGH TEMP., UL94V-0; COLOR:BLACK.
 - CONTACT: HIGH CONDUCTIVITY COPPER ALLOY
- FINISH:
 - CONTACT:
 - 50u" MIN NICKEL UNDERPLATING OVERALL.
 - 60u" MIN MATTE TIN OVERALL.
- REFLOW SOLDER CAPABLE TO 260°C PER ACES SPEC.
- SPEC. PLS. REFER TO PS-57980-XXXXX-XXX
- PACKAGE PLS. REFER TO 57959-XXXXX-XX-TRP
- PART NUMBER
56966-XXX X X-XXX

NO OF CKT _____
 PACKING _____
 O:TAPE & REEL
 _____001:WITH KINK
 _____PLATING
 N: MATTE TIN

CKT	DIM A	DIM B	DIM C	DIM D	DIM E
2	6.65	NA	6.00	6.74	4.30
4	9.65	3.00	9.00		7.30
6	12.65	6.00	12.00	1.60	10.30
8	15.65	9.00	15.00		13.30
10	18.65	12.00	18.00		16.30
12	21.65	15.00	21.00		19.30
14	24.65	18.00	24.00		22.30
16	27.65	21.00	27.00		25.30
18	30.65	24.00	30.00		28.30
20	33.65	27.00	33.00		31.30
22	36.65	30.00	36.00	34.30	
24	39.65	33.00	39.00	37.30	

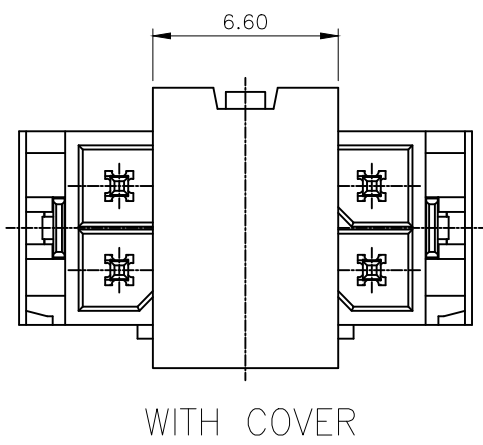
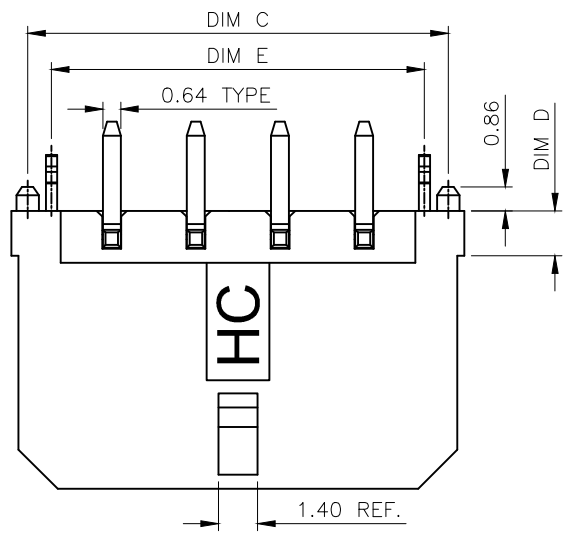
QUALITY SYMBOLS MAJOR CRITICAL GENERAL TOLERANCES (UNLESS SPECIFIED) X. ± 0.5 .X ± 0.36 .XX ± 0.25 .XXX ± 0.15 ANGLES $\pm 2^\circ$	DRAWN BY Tang,En Hui CHECKED BY Lu,Jing Quan APPROVED BY hsieh,fu yu DATE 19/11/04 DATE 19/11/04 DATE 19/11/04	 ACES ELECTRONICS TITLE 3.0mm PITCH HEADER CONN. T/H D/R S/T TYPE N/A RFG NO. N/A SHEET NO. 1 OF 3 REV C DWG NO. 56966-XXXXX-XXX	
UNITS mm	SCALE 4 : 1	SIZE A4	DWG NO. 56966-XXXXX-XXX



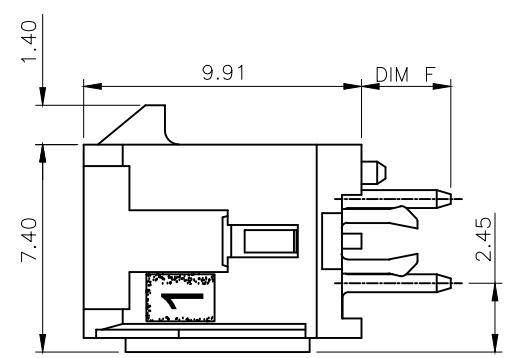
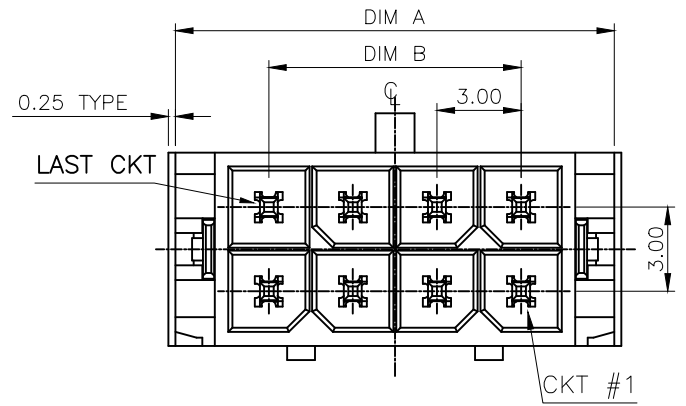
- NOTES:
- MATERIAL:
 - HOUSING: THERMOPLASTIC, HIGH TEMP., UL94V-0; COLOR:BLACK.
 - CONTACT: HIGH CONDUCTIVITY COPPER ALLOY
 - FINISH:
 - CONTACT: 50u" MIN NICKEL UNDERPLATING OVERALL. N: 60u" MIN MATTE TIN OVERALL.
 - REFLOW SOLDER CAPABLE TO 260°C PER ACES SPEC.
 - SPEC. PLS. REFER TO PS-57980-XXXX-XXX
 - PACKAGE PLS. REFER TO 57959-XXXX-XX-TRP
 - PART NUMBER 56966-XXX X X-XXX

NO OF CKT	XXX	WITH KINK OR WITHOUT KINK	DIM F
	002	WITHOUT KINK	3.18
	004	WITHOUT KINK	2.10

PACKING
 0:TAPE & REEL
 7:TAPE & REEL WITH COVER
 PLATING
 N: MATTE TIN



CKT	DIM A	DIM B	DIM C	DIM D	DIM E
2	6.65	NA	6.00	6.74	4.30
4	9.65	3.00	9.00		7.30
6	12.65	6.00	12.00	1.60	10.30
8	15.65	9.00	15.00		13.30
10	18.65	12.00	18.00		16.30
12	21.65	15.00	21.00		19.30
14	24.65	18.00	24.00		22.30
16	27.65	21.00	27.00		25.30
18	30.65	24.00	30.00	1.60	28.30
20	33.65	27.00	33.00		31.30
22	36.65	30.00	36.00		34.30
24	39.65	33.00	39.00		37.30



QUALITY SYMBOLS MAJOR CRITICAL GENERAL TOLERANCES (UNLESS SPECIFIED) X. ± 0.5 .X ± 0.36 .XX ± 0.25 .XXX ± 0.15 ANGLES $\pm 2^\circ$	DRAWN BY Tang,En Hui DATE 19/11/04	 ACES ELECTRONICS TITLE 3.0mm PITCH HEADER CONN. T/H D/R S/T TYPE
	CHECKED BY Lu,Jing Quan DATE 19/11/04	
UNITS mm	 SCALE 4:1	SIZE A4 REV C
SHEET NO. 2 OF 3	DWG NO. 56966-XXXX-XXX	RFG NO. N/A



QUALITY SYMBOLS MAJOR CRITICAL GENERAL TOLERANCES (UNLESS SPECIFIED) X. ±0.5 .X ±0.36 .XX ±0.25 .XXX ±0.15 ANGLES ±2°	DRAWN BY Tang, En Hui	DATE 19/11/04	
	CHECKED BY Lu, Jing Quan	DATE 19/11/04	
	APPROVED BY hsieh, fu yu	DATE 19/11/04	RFG NO. N/A
	UNITS mm		SIZE A4
	SCALE 4 : 1	SHEET NO. 3 OF 3	REV C
			DWG NO. 56966-XXXX-XXX