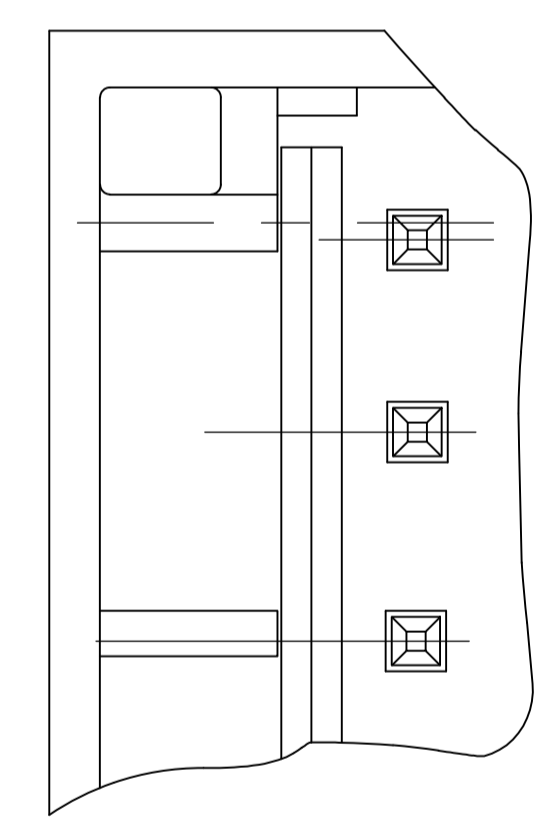
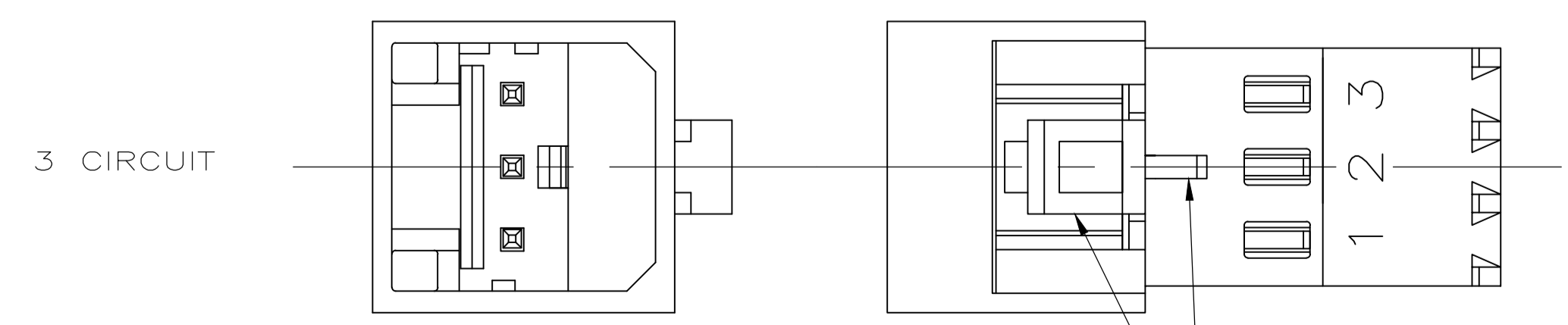
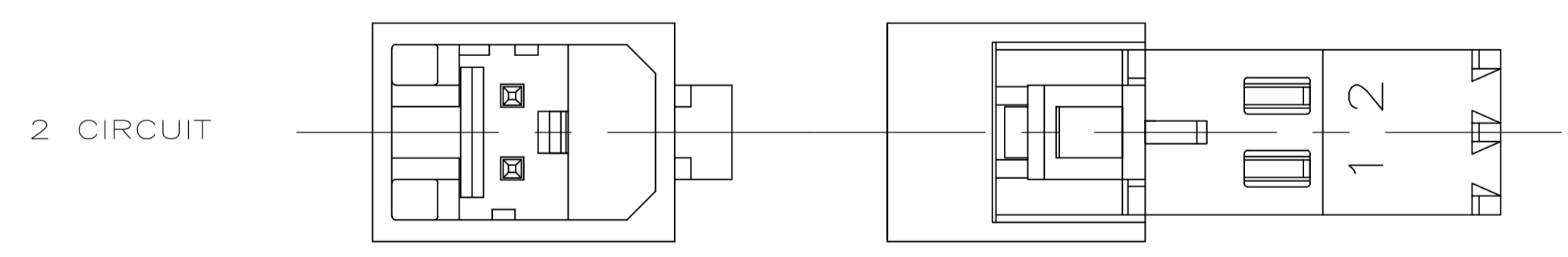


SECTION A-A



DETAIL B
SCALE 10:1
ALTERNATE CONFIGURATION



DETAIL A 3

- 1 MATERIAL:
HOUSING- NYLON UL94V-2 (RED).
CONTACTS- 0.30 [.012] THK COPPER ALLOY
PLATING : BRIGHT TIN-LEAD FOR 0.00203[.000080] MIN THK 647000-2 THRU 1-647000-9 OR MATTE TIN 0.00203[.000080] MIN THK. FOR 3-647000-2 THRU 4-647000-9.
- 2 CONTACTS ACCEPT 22 AWG (0.3 - 0.4 mm²) TIN PLATED SOLID, CONCENTRIC FUSED STRANDED, OR CONCENTRIC STRANDED (7 AND 19 STRAND) WIRE WITH 1.52 [.060] MAX INSULATION DIAMETER.
- 3 MATES WITH STANDARD MTA-100 CONNECTORS: OF THE SAME CIRCUIT SIZES WITH SIMILARLY PLATED CONTACTS WITH POLARIZING TABS-CIRCUIT SIZES 4-19 ONLY WITHOUT POLARIZING TABS-CIRCUIT SIZES 2 & 3.

DOES NOT MATE WITH MTA-100 CONNECTORS: WITH POLARIZING TABS-CIRCUIT SIZES 2 & 3 ONLY. (SEE DETAIL A) WITH BLOCKED CIRCUITS -ALL CIRCUIT SIZES. NOT RECOMMENDED FOR MATING WITH MTA-100 CONNECTOR WITHOUT POLARIZING TABS. CIRCUIT SIZES 4-19.
- 4 ACCESSORIES:
REPLACEMENT IDC CONTACTS: 647030-1.
COVERS: SEE TABLE
- 5 QUANTITY OF CENTRALLY POSITIONED RAILS VARIES WITH CIRCUIT SIZE. (SEE TABLE) LOCATION MAY DIFFER FROM EXAMPLE SHOWN.
- 6 DIMENSIONS IN BRACKETS ARE IN INCHES.
- 7 SIMILAR SIZED LOCK AND SINGLE TAB USED OR CIRCUITS 4 & 5.
- 8 QUANTITY OF GUSSET RIBS VARIES WITH CIRCUIT SIZE (SEE TABLE). LOCATION MAY DIFFER FROM EXAMPLE SHOWN.
- 9 INNER END RAIL PAIR NOT PRESENT FOR CIRCUIT SIZES 2 OR 3.
- 10 CIRCUIT ID MAY APPEAR FULLY NUMBERED OR SHOWING LOCATION 1 ONLY DEPENDING ON CIRCUIT SIZE.
- 11 OBSOLETE PARTS: OBSOLETE CIS STREAMLINING PER D.RENAUD/D.SINISI

THIS DRAWING IS A CONTROLLED DOCUMENT.		DIN R. LEWIS 28APR97	TE Connectivity												
DIMENSIONS: mm [INCHES]		CIRK R. SWING 28APR97													
TOLERANCES UNLESS OTHERWISE SPECIFIED:		NAME E. BEILES 28APR97	MTA-100 POSTED CONNECTOR ASSEMBLY, CLOSED END, 22 AWG, TIN												
<table border="1"> <tr> <td>0 PLC</td> <td>± -</td> </tr> <tr> <td>1 PLC</td> <td>± -</td> </tr> <tr> <td>2 PLC</td> <td>± 0.20 [.007]</td> </tr> <tr> <td>3 PLC</td> <td>± -</td> </tr> <tr> <td>4 PLC</td> <td>± -</td> </tr> <tr> <td>ANGLES</td> <td>± -</td> </tr> </table>		0 PLC	± -	1 PLC	± -	2 PLC	± 0.20 [.007]	3 PLC	± -	4 PLC	± -	ANGLES	± -	PRODUCT SPEC	RESTRICTED TO
0 PLC	± -														
1 PLC	± -														
2 PLC	± 0.20 [.007]														
3 PLC	± -														
4 PLC	± -														
ANGLES	± -														
MATERIAL 1	FINISH 1	APPLICATION SPEC	SIZE A1												
CUSTOMER DRAWING		WEIGHT	SCALE 5:1 SHEET 1 OF 2 REV H												

QTY OF GUSSET RIBS	QTY OF CENTRAL RAILS	MM	IN	MM	IN	MM	IN	MM	IN	NO. OF CIRCUITS	PART NO
4	2	45.72	1.800	48.95	1.927	50.80	2.000	19		4-647000-9	
4	2	43.18	1.700	46.41	1.827	48.26	1.900	18		4-647000-8	
4	2	40.64	1.600	43.87	1.727	45.72	1.800	17		4-647000-7	
4	2	38.10	1.500	41.33	1.627	43.18	1.700	16		4-647000-6	
4	2	35.56	1.400	38.79	1.527	40.64	1.600	15		4-647000-5	
4	2	33.02	1.300	36.25	1.427	38.10	1.500	14		4-647000-4	
4	2	30.48	1.200	33.71	1.327	35.56	1.400	13		4-647000-3	
2	1	27.94	1.100	31.17	1.227	33.02	1.300	12		4-647000-2	
2	1	25.40	1.000	28.63	1.127	30.48	1.200	11		4-647000-1	
2	1	22.86	.900	26.09	1.027	27.94	1.100	10		4-647000-0	
2	1	20.32	.800	23.55	.927	25.40	1.000	9		3-647000-9	
2	0	17.78	.700	21.01	.827	22.86	.900	8		3-647000-8	
0	0	15.24	.600	18.47	.727	20.32	.800	7		3-647000-7	
0	0	12.70	.500	15.93	.627	17.78	.700	6		3-647000-6	
0	0	10.16	.400	13.39	.527	15.24	.600	5		3-647000-5	
0	0	7.62	.300	10.85	.427	12.70	.500	4		3-647000-4	
0	0	5.08	.200	8.31	.327	10.16	.400	3		3-647000-3	
0	0	2.54	.100	5.77	.227	7.62	.300	2		3-647000-2	
4	2	45.72	1.800	48.95	1.927	50.80	2.000	19		1-647000-9	
4	2	43.18	1.700	46.41	1.827	48.26	1.900	18		1-647000-8	
4	2	40.64	1.600	43.87	1.727	45.72	1.800	17		1-647000-7	
4	2	38.10	1.500	41.33	1.627	43.18	1.700	16		1-647000-6	
4	2	35.56	1.400	38.79	1.527	40.64	1.600	15		1-647000-5	
4	2	33.02	1.300	36.25	1.427	38.10	1.500	14		1-647000-4	
4	2	30.48	1.200	33.71	1.327	35.56	1.400	13		1-647000-3	
2	1	27.94	1.100	31.17	1.227	33.02	1.300	12		1-647000-2	
2	1	25.40	1.000	28.63	1.127	30.48	1.200	11		1-647000-1	
2	1	22.86	.900	26.09	1.027	27.94	1.100	10		1-647000-0	
2	1	20.32	.800	23.55	.927	25.40	1.000	9		647000-9	
2	0	17.78	.700	21.01	.827	22.86	.900	8		647000-8	
0	0	15.24	.600	18.47	.727	20.32	.800	7		647000-7	
0	0	12.70	.500	15.93	.627	17.78	.700	6		647000-6	
0	0	10.16	.400	13.39	.527	15.24	.600	5		647000-5	
0	0	7.62	.300	10.85	.427	12.70	.500	4		647000-4	
0	0	5.08	.200	8.31	.327	10.16	.400	3		647000-3	
0	0	2.54	.100	5.77	.227	7.62	.300	2		647000-2	
DUST COVER	STRAIN RELIEF COVERS										
4	ACCESSORIES										

11 SUPERSEDED BY 4-647000-9
 11 SUPERSEDED BY 4-647000-8
 11 SUPERSEDED BY 4-647000-7
 11 OBSOLETE BY 4-647000-5
 11 SUPERSEDED BY 4-647000-3
 11 SUPERSEDED BY 4-647000-1
 11 OBSOLETE
 11 SUPERSEDED BY 3-647000-7

THIS DRAWING IS A CONTROLLED DOCUMENT. DWN R LEWIS 28APR97
 CHK R SWING 28APR97
 APVD E BEILES 28APR97 NAME
 DIMENSIONS: mm [INCHES] TOLERANCES UNLESS OTHERWISE SPECIFIED:
 0 PLC ± -
 1 PLC ± -
 2 PLC ± -
 3 PLC ± -
 4 PLC ± -
 ANGLES ± -
 MATERIAL 1 FINISH 1
 WEIGHT -
 CUSTOMER DRAWING
 MTA-100 POSTED CONNECTOR ASSEMBLY,CLOSED END,22 AWG,TIN
 PRODUCT SPEC
 APPLICATION SPEC
 SIZE A1 CAGE CODE 00779 DRAWING NO 647000 RESTRICTED TO
 SCALE 1:1 SHEET 2 OF 2 REV H