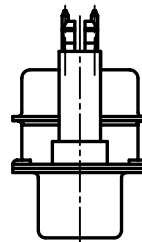
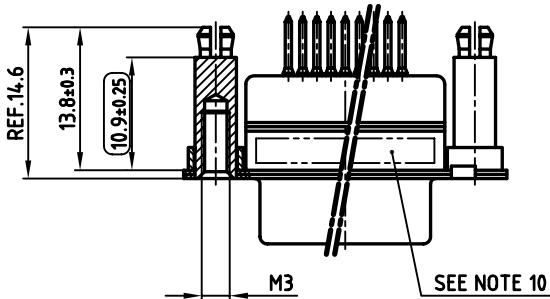
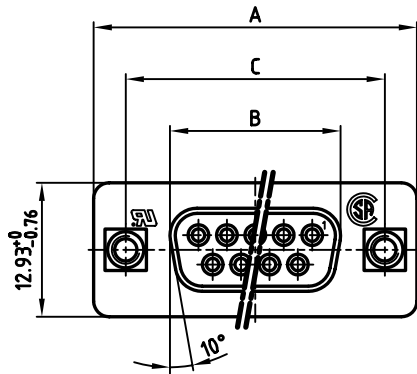
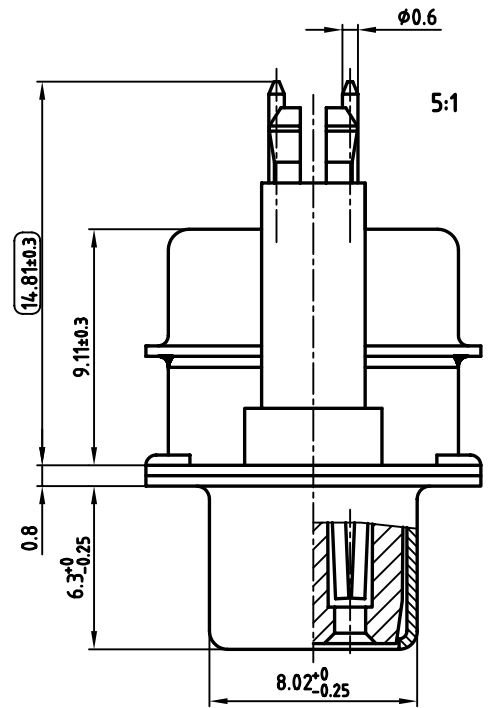


used for: D-SUB  $\pi$  FILTER

No. of pos.	A $-0.76$	B $-0.25$	C $+0.12$ $-0.13$	Part No.
9	31.19	16.46	25.00	242A26540X
15	39.52	24.79	33.30 $+0.15$ $-0.1$	242A26550X
25	53.42	38.50	47.04 $\pm 0.13$	242A26560X
37	69.70	54.96	63.50 $\pm 0.13$	242A26570X



**NOTES:**

- METALSHELLS: STEEL; min. 320 $\mu$ " TIN
- INSULATORS: PBT GF UL 94 V-0, BLACK
- CONTACTS: COPPER ALLOY  
PLATING: 8 $\mu$ " HARD GOLD OVER min. 50 $\mu$ " NICKEL
- THREADED SPACER CLIP: COPPER ALLOY; min. 200 $\mu$ " TIN over 80 $\mu$ " NICKEL  
PCB-HOLE:  $\phi 3.1 \pm 0.1$ ; PCB THICKNESS 1.6mm
- COLLAR: COPPER ALLOY; min. 200 $\mu$ " TIN over 80 $\mu$ " NICKEL
- P.C.B. HOLE DRILLINGS ON DRAWING NO.: 16K111UA
- CAPACITANCE: 2 x 1300pF  $\pm 20\%$
- DIELECTRIC WITHSTANDING VOLTAGE: 300V DC
- MAXIMUM TORQUE VALUE FOR THREAD: 6" LBS
- CONNECTOR IS PART MARKED: PART-NO. CONEC Y/WW
- = CRITICAL DIMENSION

APPROVAL * FREIGABE * DEBLOCAGE * AUTORIZACION * APPROVAL	
CUSTOMER APPROVAL DATE:	
NAME:	TITLE:
COMPANY NAME:	
APPROVAL * FREIGABE * DEBLOCAGE * AUTORIZACION * APPROVAL	

THIS DRAWING MAY NOT BE COPIED OR REPRODUCED IN ANY WAY, AND MAY NOT BE PASSED ON TO A THIRD PARTY, WITHOUT WRITTEN PERMISSION. OWNERSHIP AND COPYRIGHT OF CONEC GmbH DO NOT ALTER CAD DRAWING BY HAND

rev.	description	date	name

tolerance	dim. in mm
2003	date
drawn	25.06. Lehmenkühler
appd.	25.06. Mickenbecker
norm	DIN 41652
d-old	
<b>CONEC</b>	

scale:	2:1 (5:1)
material:	SEE NOTES
title:	<b>D-SUB <math>\pi</math> FILTER FEMALE</b> 9-37pos. SOLDER PIN STRAIGHT with threaded spacer clip
dwg no:	AutoCAD 2000
part no:	<b>24K1A403</b>
SEE TABLE	DIN-A 3 sh: 1/1