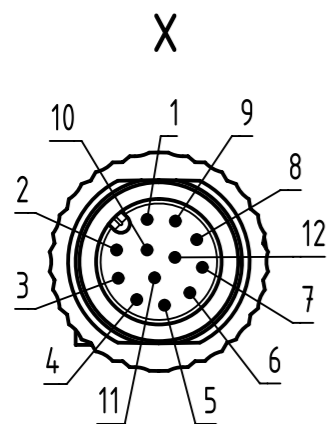
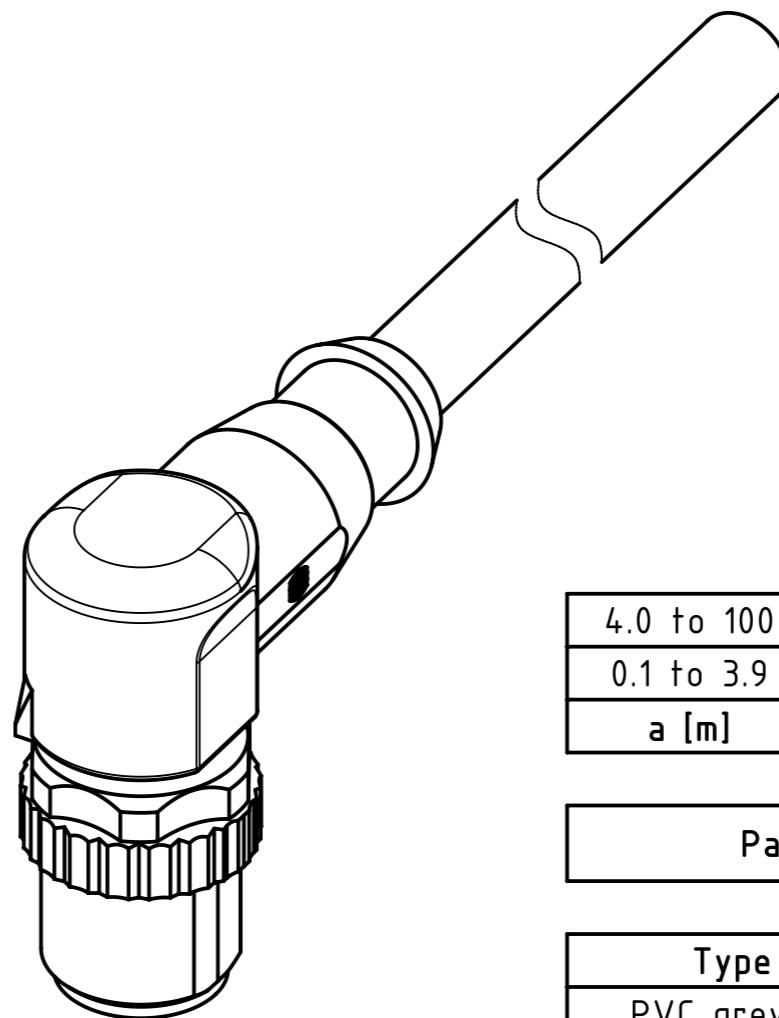


Loading-Plan:



- 1 brown
- 2 blue
- 3 white
- 4 green
- 5 pink
- 6 yellow
- 7 black
- 8 grey
- 9 red
- 10 violet
- 11 grey-pink
- 12 red-blue



4.0 to 100	+1%
0.1 to 3.9	+0.04
a [m]	Tolerance

length in "1m" step	100	XXX=000
	99	XXX=990
	.	.
	12	XXX=120
length in "0.1m" step	11	XXX=110
	10	XXX=100
	9.9	XXX=099
	9.8	XXX=098
	.	.
	0.4	XXX=004
	0.3	XXX=003
	0.2	XXX=002
0.1	XXX=001	
Step	a [m]	XXX

Part no. 21348600CXXXXX

Type of cable XX
PVC grey, 12x0.14mm² XX=79

- Protection level: IP67
- Temperature range: -30°C ... +80°C

All rights reserved Department EC PD - RO		All Dimensions in mm Original Size DIN A3	Scale 2:1	Free size tol.	Ref. Sub.
Created by TAMAS	Inspected by STOICA	Standardisation HOFFMANN	Date 2014-08-25	State Final Release	Doc-Key / ECM-Nr. 100591285/UGD/009/A 50000079105
Title M12 A-coded Cable Assembly					Rev. A
HARTING Electronics GmbH D-32339 Espelkamp		Type TB	Number 21348600CXXXXX		Page 1/1