

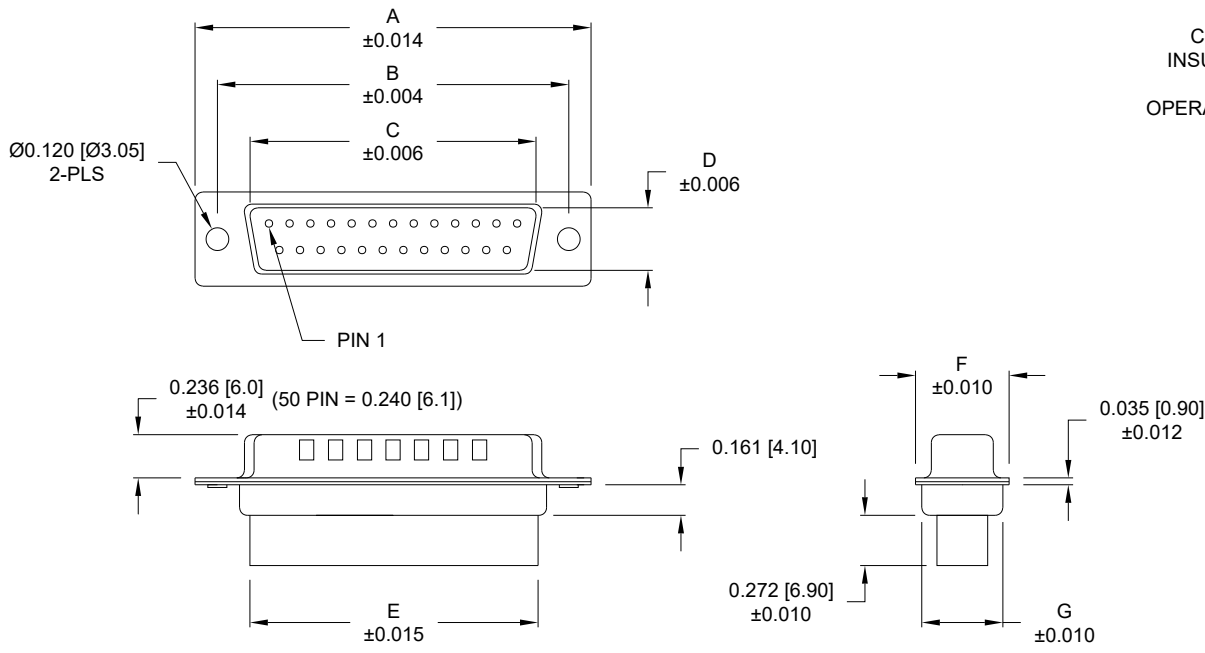
****NOTE: CONTACTS MUST BE PURCHASED SEPARATELY****

MATERIAL:

SHELL: NICKEL OR TIN PLATED STEEL
 INSULATOR: UL94 V-0 RATED, PBT-BLACK (FRONT INSULATOR)
 UL94 V-0 RATED, PA66-BLACK (REAR INSULATOR)
 PROCESS TEMP: 230°C

ELECTRICAL:

CURRENT RATING: 5 AMPS
 CONTACT RESISTANCE: 15 mOhms Max.
 INSULATION RESISTANCE: 1,000 MOhms min.
 VOLTAGE: 500VAC FOR 1 MINUTE
 OPERATING TEMPERATURE: -50° C TO 100° C



170-YYY-17YLYY0

SERIES _____
 POSITIONS _____
 009 _____
 015 _____
 025 _____
 037 _____
 050 _____
 GENDER _____
 1 = MALE _____
 TERMINATION _____
 7 = CRIMP & POKE _____
 SHELL PLATING _____
 2 = TIN (DISCONTINUED) _____
 3 = NICKEL (GROUND INDENTS) _____
 HARDWARE OPTIONS _____
 00 = NO HARDWARE _____
 01 = .098" CLINCH NUT (SOLDER SIDE) _____
 02 = .236" CLINCH NUT (SOLDER SIDE) _____
 03 = .236" CLINCH NUT (MATING SIDE) _____
 PLATING OPTIONS _____
 0 = NO CONTACTS _____

		DIMENSIONS						
No. OF PINS	UNITS	A	B	C	D	E	F	G
9	inch	1.213	0.984	0.666	0.329	0.618	0.496	0.429
	mm	30.80	24.99	16.92	8.36	15.70	12.60	10.90
15	inch	1.541	1.312	0.994	0.329	0.933	0.496	0.429
	mm	39.15	33.32	25.25	8.36	23.70	12.60	10.90
25	inch	2.087	1.852	1.534	0.329	1.496	0.496	0.429
	mm	53.00	47.04	38.96	8.36	38.00	12.60	10.90
37	inch	2.728	2.500	2.182	0.329	2.142	0.496	0.429
	mm	69.30	63.50	55.42	8.36	54.40	12.60	10.90
50	inch	2.638	2.402	2.079	0.436	2.039	0.602	0.535
	mm	67.00	61.00	52.80	11.07	51.80	15.30	13.60

RoHS COMPLIANT

UNITS = inch [mm] DO NOT SCALE FROM DRAWING

NC THESE DRAWINGS AND SPECIFICATIONS ARE THE PROPERTY OF NorComp AND SHALL NOT BE REPRODUCED, COPIED OR USED AS THE BASIS FOR THE MANUFACTURE OR SALE OF APPARATUS WITHOUT WRITTEN PERMISSION.

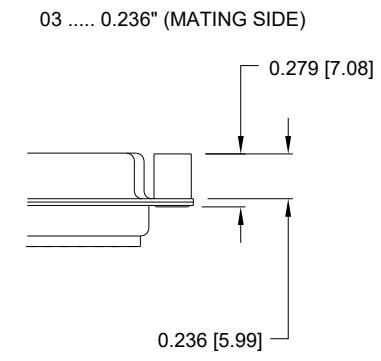
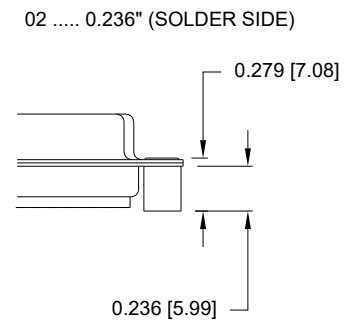
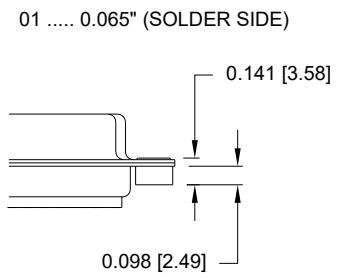
DRAWN: P. JENKINS
 DATE: 08/18/1998

NorComp

SCALE: NTS SHEET 1 OF 2 REV 17
 DWG NO. 170-YYY-17YLYY0

TOLERANCE:
ALL DIMENSIONS ARE ±0.010

ALL CLINCH-NUTS ARE 4-40 INTERNAL THREADS



RoHS COMPLIANT

UNITS = inch [mm] DO NOT SCALE FROM DRAWING

DRAWN:
P. JENKINS
DATE:
08/18/1998

NorComp

SCALE: NTS	SHEET 2	OF 2	REV 17
DWG NO.		170-YYY-17YLYY0	



THESE DRAWINGS AND SPECIFICATIONS ARE THE PROPERTY OF NorComp AND SHALL NOT BE REPRODUCED, COPIED OR USED AS THE BASIS FOR THE MANUFACTURE OR SALE OF APPARATUS WITHOUT WRITTEN PERMISSION.