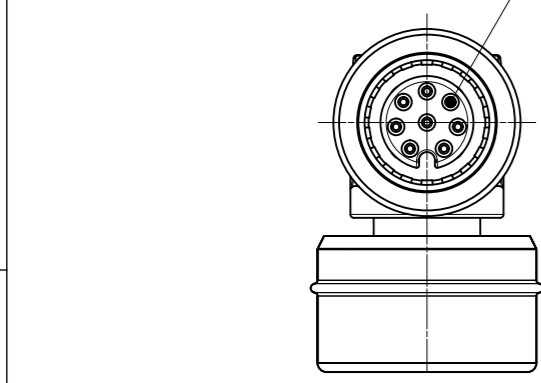
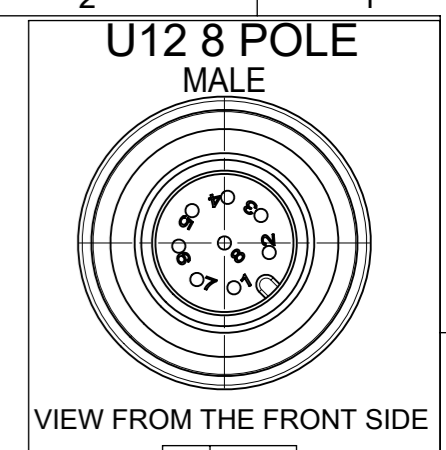
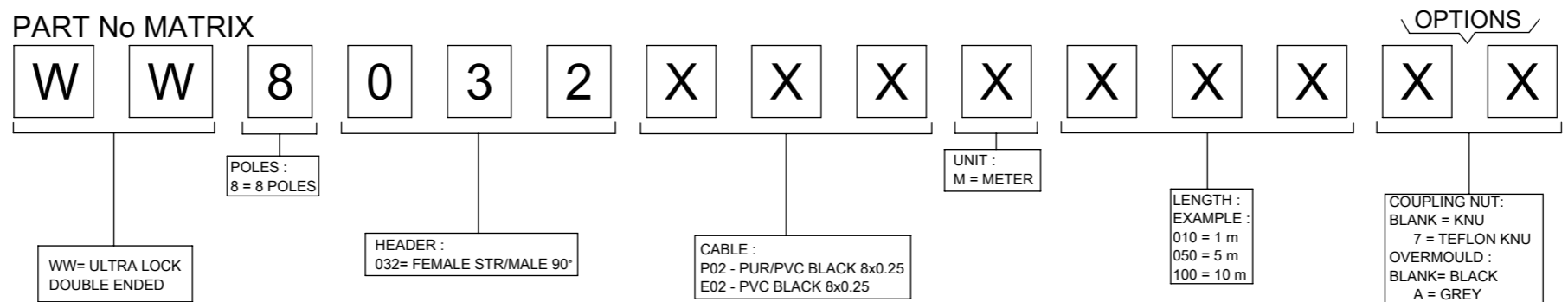


PIN	WIRE COLOR
1	WH
2	BN
3	GN
4	YE
5	GY
6	PK
7	BU
8	RD



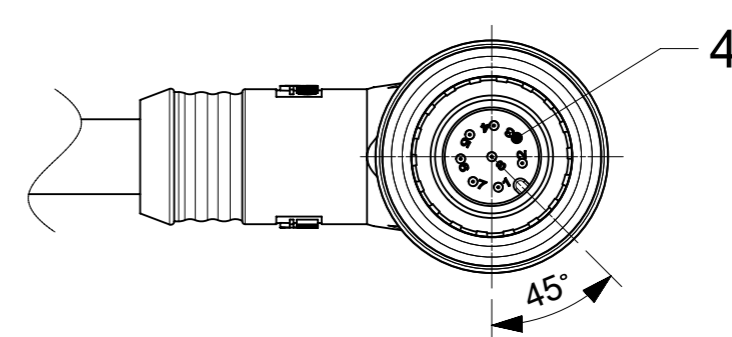
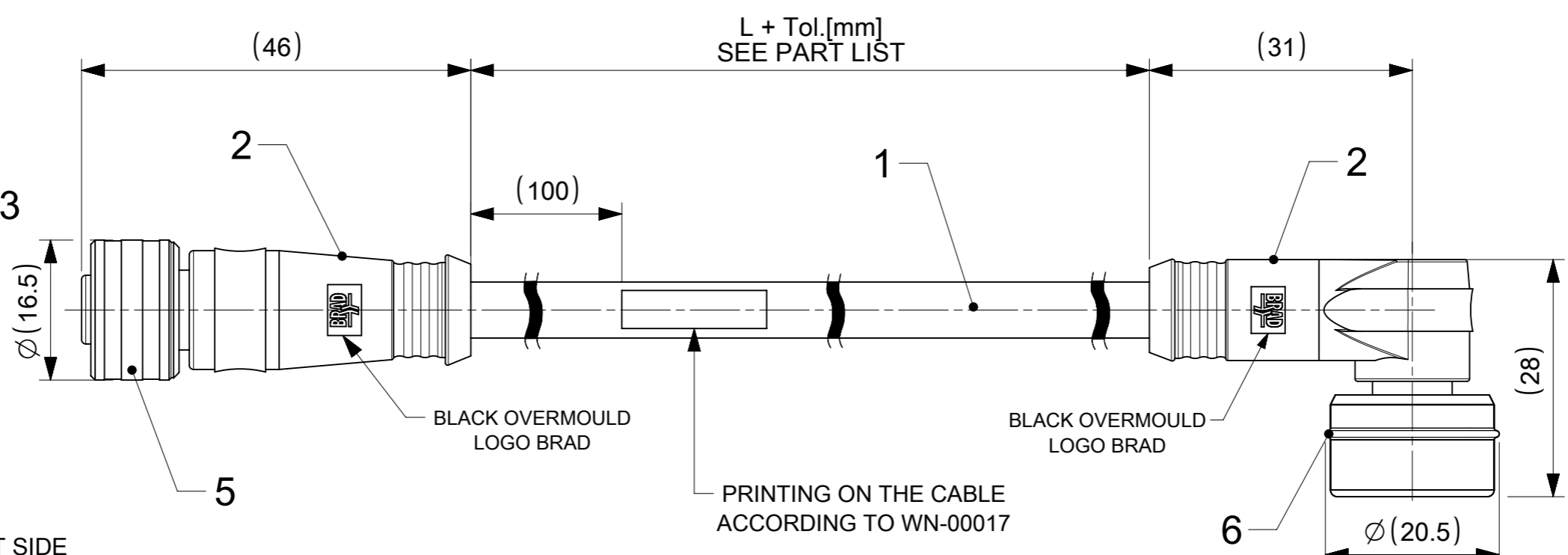
VIEW FROM THE FRONT SIDE



PIN	WIRE COLOR
1	WH
2	BN
3	GN
4	YE
5	GY
6	PK
7	BU
8	RD



VIEW FROM THE FRONT SIDE



VIEW FROM THE FRONT SIDE

**PART LIST**

MOLEX P/N	ENG No.	L+TOL.[mm]
1200805085	WW8032P02M010	1000+30/-10
1200808050	WW8032E02M015	1500±25

**CABLE LIST**

CABLE TYPE	DESCRIPTION	MATERIAL	COLOR/FINISH
P02	CABLE PUR/PVC BLK 8X0.25MM	PUR/PVC	BLACK
E02	8X0.25MM; UNSHLD; PVC; BK; OD=6.60MM	PVC	BLACK

**BOM**

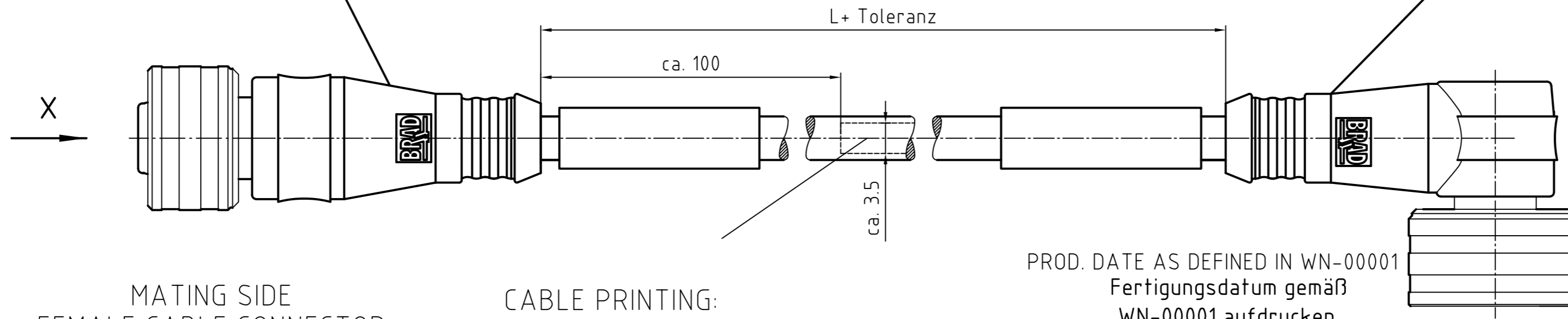
ITEM	QTY	DESCRIPTION	MATERIAL	FINISH/COLOR
6	1	PLUG U12 MALE 8P	-	-
5	1	PLUG U12 FEMALE 8P	-	-
4	8	CONTACT MALE	COPPER	GOLD-PLATED
3	8	CONTACT FEMALE	CuSn6	GOLD-PLATED
2	-	MOULDING MATERIAL	TPU	BLACK
1	-	SEE CABLE LIST	SEE CABLE LIST	SEE CABLE LIST

- NOTES:**
- ELECTRICAL: VOLTAGE; 30V  
CURRENT: 2A
  - TEMP RATING: -30°TO +80°C
  - PROTECTION: IP67 (WHEN MATED)
  - CSA CERTIFIED FILE: LR6837

FUNCTIONAL SYMBOLS	THIS DRAWING CONTAINS INFORMATION THAT IS PROPRIETARY TO MOLEX ELECTRONIC TECHNOLOGIES, LLC AND SHOULD NOT BE USED WITHOUT WRITTEN PERMISSION	CURRENT REV DESC:		<b>molex</b>
	DIMENSION UNITS: mm SCALE: 1:1 GENERAL TOLERANCES (UNLESS SPECIFIED): ANGULAR TOL ± 1.0° 4 PLACES ± 3 PLACES ± 2 PLACES ± 0.05 1 PLACE ± 0.3 0 PLACES ± 0.5	EC NO: 703538 DRWN: SSM CHK'D: RSILLER APPR: RSILLER INITIAL REVISION: DRWN: SSM APPR: RSILLER		
DIVISIONAL SYMBOLS	DRAFT WHERE APPLICABLE MUST REMAIN WITHIN DIMENSIONS THIRD ANGLE PROJECTION DRAWING: A3-SIZE SERIES: 120080	2022/04/04 2022/04/22 2022/04/22 2022/04/04 2022/04/22	DOCUMENT NUMBER: 1200805085 DOC TYPE: PSD DOC PART: 000 REVISION: A	MATERIAL NUMBER: SEE PART LIST CUSTOMER: GENERAL MARKET SHEET NUMBER: 1 OF 1

OVERMOLD PUR SEE TABLE  
Umspritzung PUR siehe Tabelle

OVERMOLD PUR SEE TABLE  
Umspritzung PUR siehe Tabelle

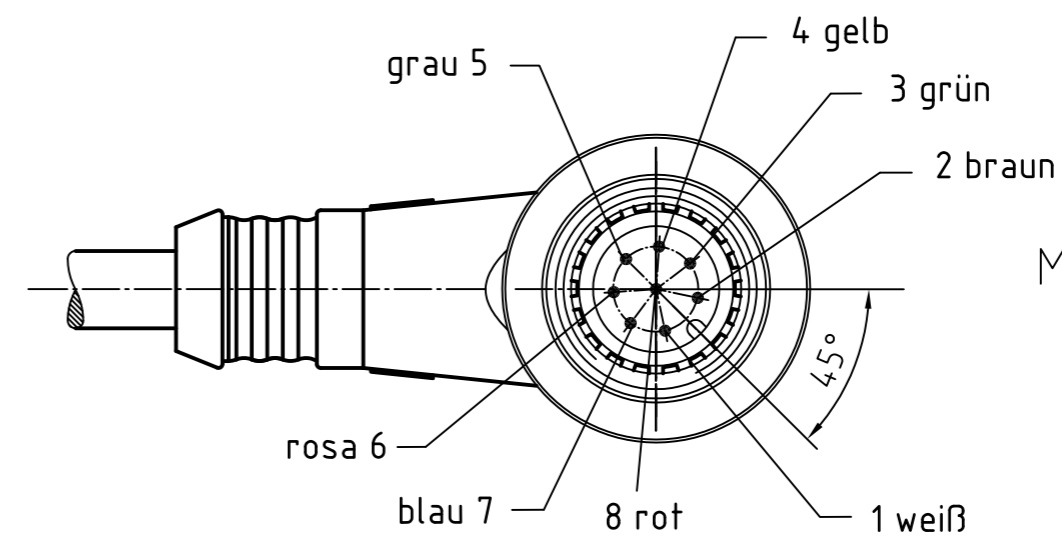
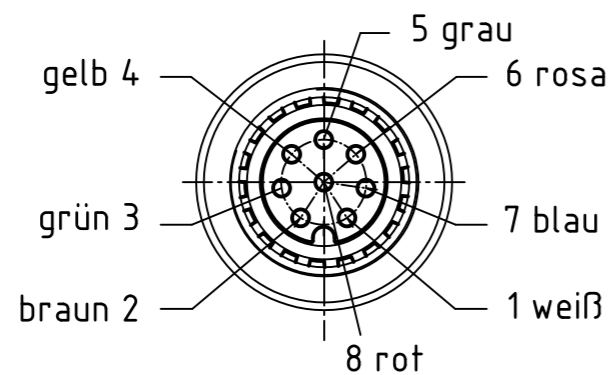


PROD. DATE AS DEFINED IN WN-00001  
Fertigungsdatum gemäß  
WN-00001 aufdrucken

MATING SIDE  
FEMALE CABLE CONNECTOR  
Steckseite Ansicht X  
Kabeldose U-Lock  
8-Pol

CABLE PRINTING:  
**Kabelbedruckung:**

Woodhead Connectivity GmbH WW8032P02MXXX X..



MATING SIDE  
MALE CABLE CONNECTOR  
Steckseite  
Kabelstecker U-Lock  
8-Pol

Allgemeine Kennwerte General Characteristics		Norm Standard		
Polzahl Kontaktanordnung	Number of contacts Contact configuration	IEC 947-5-2	8	
Bemessungsspannung	Rated Voltage	IEC 664	30V AC / DC	
Verschmutzungsgrad	Pollution Degree	IEC 664	3	
Betriebsstrom	Current carrying capacity	IEC 512-3 Test 5 b	2A	
Durchgangswiderstand	Contact Resistance	IEC 512-2 Test 2 a	< 5mOhm	
Bemessungsstoßspannung	Rated Impulse Withstand Voltage	IEC 664	0,8 kV	
Prüfspannung	Test Voltage	IEC 60512-2 Test 4 A	0,5 kV / 60 sec	
Isolationswiderstand	Insulation Resistance	IEC 512-2 Test 3 A	> 100 MOhm	
IP-Schutzart	IP Degree of Protection	IEC 529	IP 67	
Stiftdurchmesser	Pin Diameter		0,6 mm	
Werkstoffe	Kontakte	Materials	Kontakte	Kupferlegierung / copper alloy
	Kontaktfläche		Kontakte Plating	Au/Ni
	Kontaktträger		Dielectric Material	PUR
	Gehäuse (Umspritzung)		Housing (Overmold)	PUR
	Dichtung (O-Ring)		Gaskets (O-Ring)	VITON
	Schiebehülse		Push Sleeve	CuZn (brass) mit Ni-Oberfläche Nickel Plated
Anschlussart	Termination		Crimp	
Brennbarkeit	Kontaktträger	Flammfähigkeit	Inserts	HB
	Gehäuse (Umspritzung)		Housing (Overmold)	HB
	Leitung / Kabel		Cable	2 LAYER PUR/PVC CABLE BLACK 0.25 <sup>2</sup>
Mechanische Lebensdauer	Mechanical Operation		100 Steckzyklen/Mating Cycles	
Temperaturbereich	Temperature Range	IEC 60668-1	-30°C / +80°C	

SAP-Nummer	Engineering Nr.:	Umspritzungsfarbe	L-Länge
SAP-Number		Overmold Color	Length
1200805085	WW8032P02M010	yellow	1M

Toleranzen Maß L: sichtbare Kabellänge bei M8, M12 und M12U		BU/ BLUE WH/ WHITE GN/ GREEN GY/ GREY PK/ PINK YE/ YELLOW RD/ RED BK/ BLACK VT/ VIOLET BN/ BROWN	bl/blau ws/weiß gn/grün gr/grau rs/rosa ge/gelb rt/rot sw/schwarz vi/violett bn/braun
von 0 bis 0.6 m:	±10 mm		
über 0.6 bis 1 m:	+30 / -10 mm		
über 1 bis 5 m:	±25 mm		
über 5 bis 20 m:	±30 mm		
über 20 m:	±50 mm		

(...) Dim. for information  
(...) Informationsmaß

DESCRIPTION EC NO: WEU2010-0435 DRWN: LSTEMMLE 2010/03/17 CHKD: NS APPR: FPACHER 2010/03/19	QUALITY SYMBOLS ▽ = 0 ▽C = 0	GENERAL TOLERANCES (UNLESS SPECIFIED)		DIMENSION STYLE MM ONLY		SCALE 2:1	DESIGN UNITS METRIC	FIRST ANGLE PROJECTION
		mm	INCH	DRAWN BY LSTEMMLE	DATE 2010/03/17	M12U-8P-FE-STR-M-90 PUR/0.25 BL-XM		
1	REV	4 PLACES ±---		1 PLACE ±0.1		APPROVED BY FPACHER		DOCUMENT NO. SD-120080-053
		3 PLACES ±---		ANGULAR ± --- °		DATE 2010/03/18		
DRAFT WHERE APPLICABLE MUST REMAIN WITHIN DIMENSIONS		SEE TABLE		MATERIAL NO.		SHEET NO. 1 OF 1		
		SIZE A2		THIS DRAWING CONTAINS INFORMATION THAT IS PROPRIETARY TO MOLEX INCORPORATED AND SHOULD NOT BE USED WITHOUT WRITTEN PERMISSION				