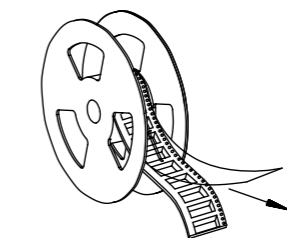
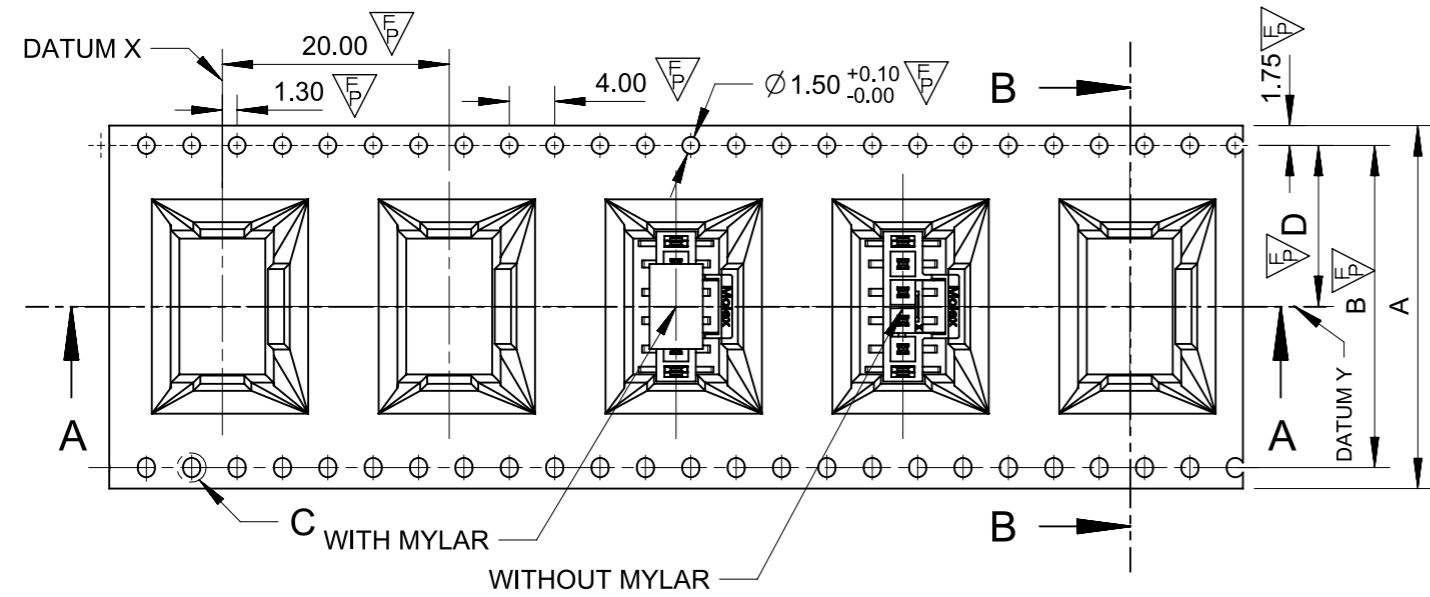


| CARRIER TAPE SPEC FOR SMT SINGLE VERTICAL HEADER OF NANO-FIT |       |       |       |       |       |
|--|-------|-------|-------|-------|-------|
| CARRIER TAPE NUMBER  | DIM A | DIM B | DIM D | DIM E | DIM F |
| 105431-8001  | 24.00 | N/A   | 11.50 | 8.63  | 6.97  |
| 105431-8002  | 24.00 | N/A   | 11.50 | 11.13 | 9.47  |
| 105431-8003  | 32.00 | 28.40 | 14.20 | 13.63 | 11.97 |
| 105431-8004  | 32.00 | 28.40 | 14.20 | 16.13 | 14.47 |
| 105431-8005  | 44.00 | 40.40 | 20.20 | 18.63 | 16.97 |
| 105431-8006  | 44.00 | 40.40 | 20.20 | 21.13 | 19.47 |
| 105431-8007  | 44.00 | 40.40 | 20.20 | 23.63 | 21.97 |

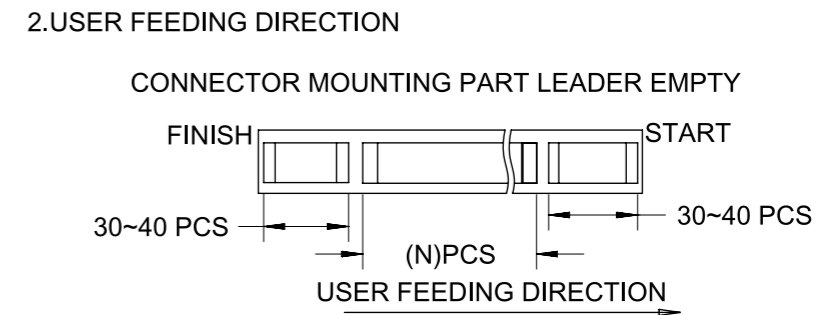
NOTES :  
1. REELING DIRECTION IN DELIVERY.



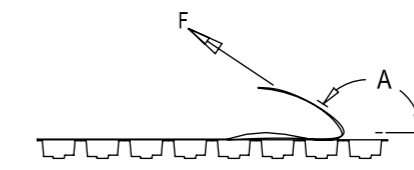
USER FEEDING DIRECTION



SECTION B-B

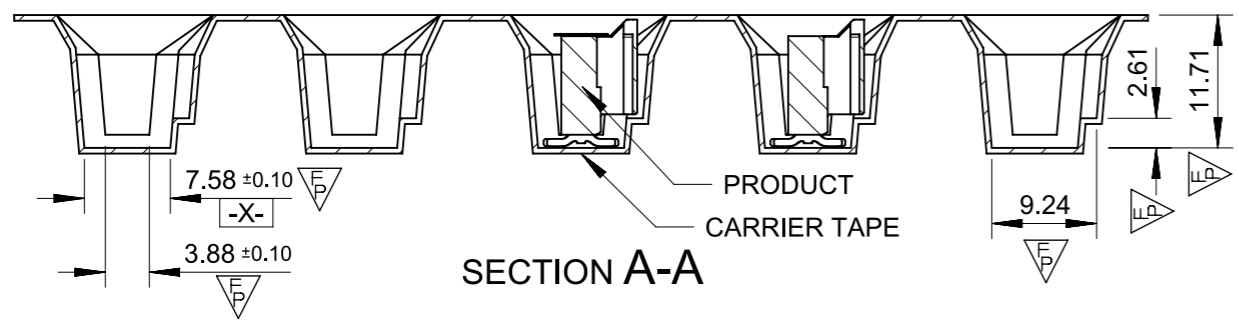


3. COVER TAPE PEELING FORCE



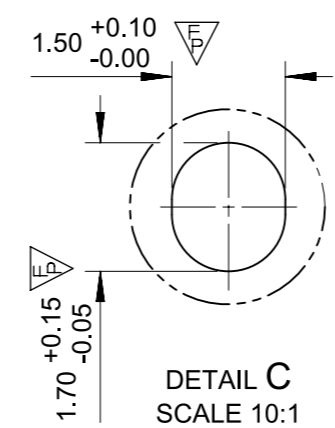
PEELING SPEED 300mm/Min.(REF.)

|   |           |
|---|-----------|
| A | 170°~180° |
| F | 0.1N~1.3N |



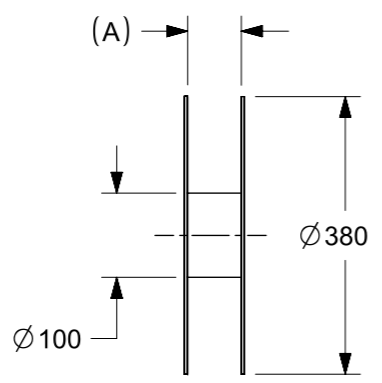
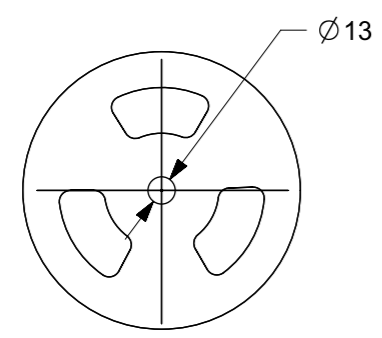
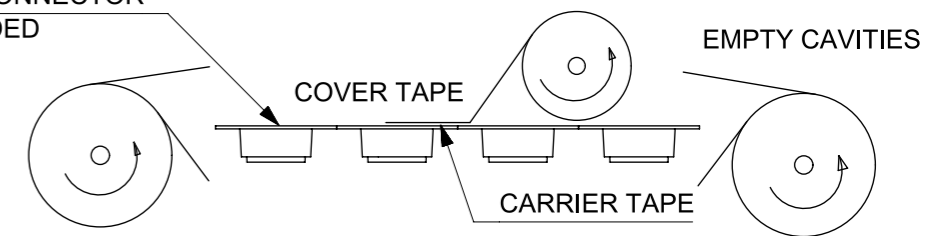
SECTION A-A

USER FEEDING DIRECTION



DETAIL C  
SCALE 10:1

NANO-FIT CONNECTOR FULLY LOADED



|  |             |   |     |                   |  |                              |  |
|--|-------------|---|-----|-------------------|--|------------------------------|--|
| FUNCTIONAL SYMBOLS                                   |             | THIS DRAWING CONTAINS INFORMATION THAT IS PROPRIETARY TO MOLEX ELECTRONIC TECHNOLOGIES, LLC AND SHOULD NOT BE USED WITHOUT WRITTEN PERMISSION |     | CURRENT REV DESC: |  | <b>molex</b>                 |  |
| ▽A = 0   | mm          | SCALE   | 1:1 |                   |  |                              |  |
| GENERAL TOLERANCES (UNLESS SPECIFIED)                |             |   |     |                   |  | PACKING DRAWING FOR NANO-FIT |  |
| ▽E = 0   | ANGULAR TOL |   | ±   | °                 |  | PRODUCT CUSTOMER DRAWING     |  |
| ▽F = 0   | 4 PLACES    |   | ±   |                   |  | DOCUMENT NUMBER              |  |
| DIVISIONAL SYMBOLS                                   |             | 3 PLACES  |     | ±                 |  | DOC TYPE                     |  |
|  |             | 2 PLACES  |     | ± 0.13            |  | DOC PART                     |  |
|  |             | 1 PLACE   |     | ± 0.25            |  | REVISION                     |  |
|  |             | 0 PLACES  |     | ±                 |  | 1054311000-PK                |  |
| DRAFT WHERE APPLICABLE MUST REMAIN WITHIN DIMENSIONS |             | THIRD ANGLE PROJECTION  |     | DRAWING           |  | SERIES                       |  |
|  |             | A3-SIZE   |     | 105431            |  | MATERIAL NUMBER              |  |
|  |             | GENERAL MARKET  |     | CUSTOMER          |  | SHEET NUMBER                 |  |
|  |             | 1 OF 2  |     |                   |  |                              |  |



| REEL      | COVER TAPE | CARRIER TAPE | PRODUCT NUMBER |  | PARTS PER REEL | REELS PER CARTON | PARTS PER CARTON |  |
|-----------|------------|--------------|----------------|--|----------------|------------------|------------------|--|
| 885961399 | 894990121  | 105431-8001  | WITH MYLAR     | 105431-1102, 105431-1202, 105431-1302, 105431-1402 | 300            | 3                | 900              |  |
|           |            |              | WITHOUT MYLAR  | 105431-1502, 105431-1602, 105431-1702, 105431-1802 |                |                  |                  |  |
|           |            |              | WITHOUT MYLAR  | 105431-2502, 105431-2602, 105431-2702, 105431-2802 |                |                  |                  |  |
|           |            | 105431-8002  | WITH MYLAR     | 105431-1103, 105431-1203, 105431-1303, 105431-1403 |                |                  |                  |  |
|           |            |              | WITHOUT MYLAR  | 105431-1503, 105431-1603, 105431-1703, 105431-1803 |                |                  |                  |  |
|           |            |              | WITHOUT MYLAR  | 105431-2503, 105431-2603, 105431-2703, 105431-2803 |                |                  |                  |  |
| 885961400 | 894990122  | 105431-8003  | WITH MYLAR     | 105431-1104, 105431-1204, 105431-1304, 105431-1404 | 300            | 3                | 900              |  |
|           |            |              | WITHOUT MYLAR  | 105431-1504, 105431-1604, 105431-1704, 105431-1804 |                |                  |                  |  |
|           |            |              | WITHOUT MYLAR  | 105431-2504, 105431-2604, 105431-2704, 105431-2804 |                |                  |                  |  |
|           |            | 105431-8004  | WITH MYLAR     | 105431-1105, 105431-1205, 105431-1305, 105431-1405 |                |                  |                  |  |
|           |            |              | WITHOUT MYLAR  | 105431-1505, 105431-1605, 105431-1705, 105431-1805 |                |                  |                  |  |
|           |            |              | WITHOUT MYLAR  | 105431-2505, 105431-2605, 105431-2705, 105431-2805 |                |                  |                  |  |
| 885961401 | 894990123  | 105431-8005  | WITH MYLAR     | 105431-1106, 105431-1206, 105431-1306, 105431-1406 | 300            | 2                | 600              |  |
|           |            |              | WITHOUT MYLAR  | 105431-1506, 105431-1606, 105431-1706, 105431-1806 |                |                  |                  |  |
|           |            |              | WITHOUT MYLAR  | 105431-2506, 105431-2606, 105431-2706, 105431-2806 |                |                  |                  |  |
|           |            |              | 105431-8006    | WITH MYLAR   |                |                  |                  | 105431-1107, 105431-1207, 105431-1307, 105431-1407 |
|           |            |              |                | WITHOUT MYLAR                                      |                |                  |                  | 105431-1507, 105431-1607, 105431-1707, 105431-1807 |
|           |            |              |                | WITHOUT MYLAR                                      |                |                  |                  | 105431-2507, 105431-2607, 105431-2707, 105431-2807 |
|           |            | 105431-8007  | WITH MYLAR     | 105431-1108, 105431-1208, 105431-1308, 105431-1408 | 300            | 2                | 600              |  |
|           |            |              | WITHOUT MYLAR  | 105431-1508, 105431-1608, 105431-1708, 105431-1808 |                |                  |                  |  |
|           |            |              | WITHOUT MYLAR  | 105431-2508, 105431-2608, 105431-2708, 105431-2808 |                |                  |                  |  |

- NOTES :
1. STAPLES SHOULD ONLY BE USED TO SET UP CARTON. ALL CARTONS CLOSURES MUST BE DONE WITH TAPE.
  2. FILL PACKAGING BAGS WITH THE QUANTITIES AS INDICATED IN THE CHART



|   |                                       |       |  |  |  |  |  |  |  |
|---|---------------------------------------|-------|--|--|--|--|--|--|--|
| THIS DRAWING CONTAINS INFORMATION THAT IS PROPRIETARY TO MOLEX ELECTRONIC TECHNOLOGIES, LLC AND SHOULD NOT BE USED WITHOUT WRITTEN PERMISSION |                                       |       |  |  |  |  |  |  |  |
| FUNCTIONAL SYMBOLS  | DIMENSION UNITS                       | SCALE | CURRENT REV DESC:  |  |  |  |  |  |  |
| $\nabla_A = 0$  | mm                                    | 1:1   | <p><b>molex</b></p> <p>PACKING DRAWING FOR NANO-FIT</p> <p>PRODUCT CUSTOMER DRAWING</p> <p>DOCUMENT NUMBER: 1054311000-PK   DOC TYPE: PSD   DOC PART: 000   REVISION: A</p> <p>EC NO: 670810   DRWN: GLLI   2021/07/21</p> <p>CHK'D: YXZHENG   APPR: YXZHENG   2021/07/22</p> <p>INITIAL REVISION: DRWN: GLLI   2021/07/21</p> <p>APPR: YXZHENG   2021/07/22</p> <p>DRAFT WHERE APPLICABLE MUST REMAIN WITHIN DIMENSIONS</p> <p>THIRD ANGLE PROJECTION</p> <p>DRAWING: A3-SIZE   SERIES: 105431</p> <p>MATERIAL NUMBER:   CUSTOMER: GENERAL MARKET</p> <p>SHEET NUMBER: 2 OF 2</p> |  |  |  |  |  |  |
| $\nabla_B = 0$  | GENERAL TOLERANCES (UNLESS SPECIFIED) |       |  |  |  |  |  |  |  |
| $\nabla_C = 0$  | ANGULAR TOL ± °                       |       |  |  |  |  |  |  |  |
| DIVISIONAL SYMBOLS  |                                       |       |  |  |  |  |  |  |  |
|   | 4 PLACES ±                            |       |  |  |  |  |  |  |  |
|   | 3 PLACES ±                            |       |  |  |  |  |  |  |  |
|   | 2 PLACES ± 0.13                       |       |  |  |  |  |  |  |  |
|   | 1 PLACE ± 0.25                        |       |  |  |  |  |  |  |  |
|   | 0 PLACES ±                            |       |  |  |  |  |  |  |  |



RECOMMENDED PCB LAYOUT(CONNECTOR SIDE VIEW)  
THICKNESS=1.60mm MIN. TOLERANCE:±0.05

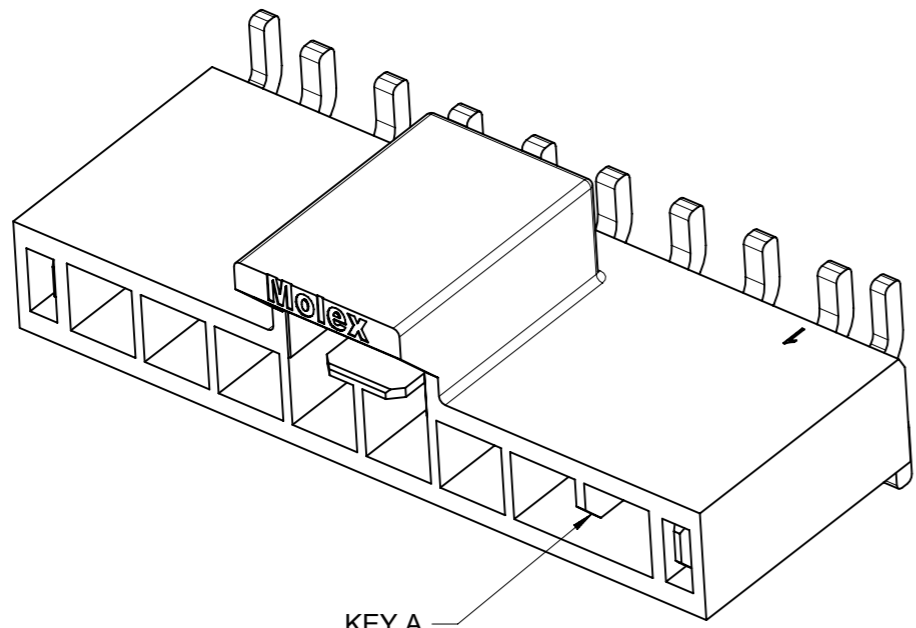


WITHOUT MYLAR

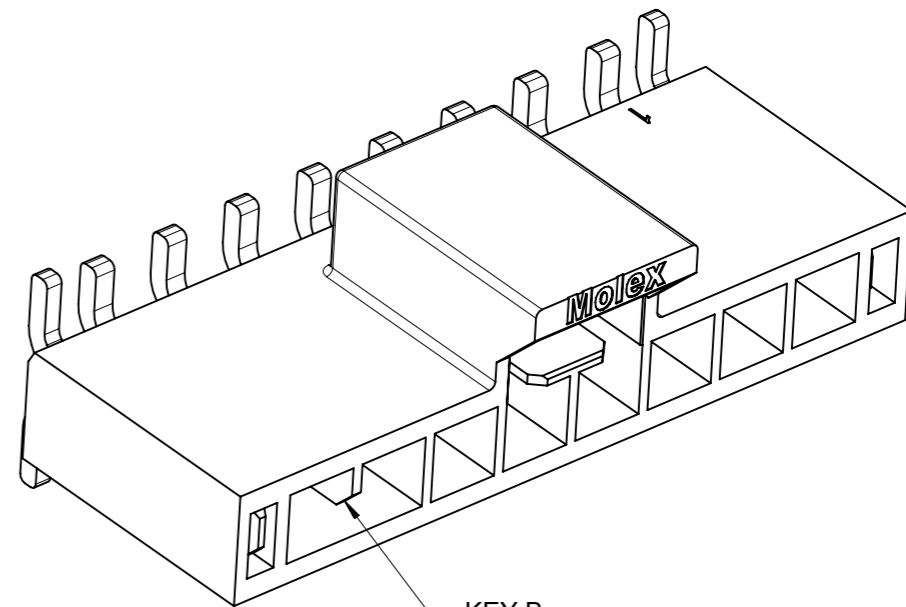


WITH MYLAR

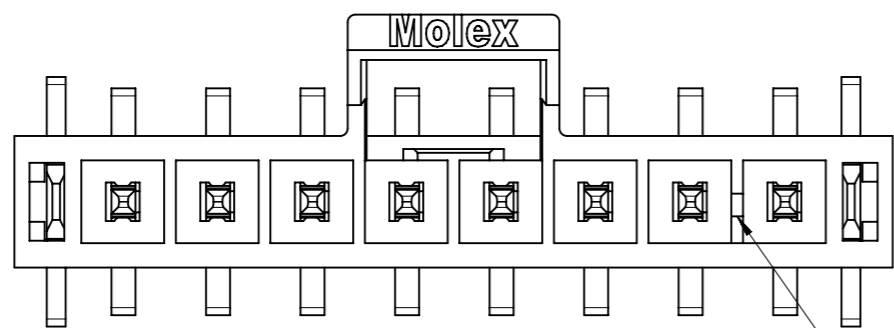
| THIS DRAWING CONTAINS INFORMATION THAT IS PROPRIETARY TO MOLEX ELECTRONIC TECHNOLOGIES, LLC AND SHOULD NOT BE USED WITHOUT WRITTEN PERMISSION |  |                |               |                                       |  |                 |                          |  |                 |                 |                |              |
|---|--|----------------|---------------|---------------------------------------|--|-----------------|--------------------------|--|-----------------|-----------------|----------------|--------------|
| <b>QUALITY SYMBOLS</b><br>▽A = 0<br>▽E = 0<br>▽F = 0<br>▼ = 0<br>▽C = 0<br>⊠ = 0<br>■ = 0<br>▽ = 0  | 2021/04/27   | 2021/07/22     | 2021/07/22    | GENERAL TOLERANCES (UNLESS SPECIFIED) |  | DIMENSION UNITS | SCALE                    |  |                 |                 |                |              |
|   | DRWN: GLLI   | CHK'D: YXZHENG | APPR: YXZHENG | ANGULAR TOL ± 3.0 °                   |  | mm              | 5:1                      |  |                 |                 |                |              |
|   | EC NO: 670810<br>DRWN: GLLI<br>CHK'D: YXZHENG<br>APPR: YXZHENG | 4 PLACES       | ±             | 4 PLACES ±                            |  | DRWN BY         | DATE                     | SD DRAWING FOR<br>NANO-FIT HEADER OF SMT VERTICAL SINGLE CONN. |                 |                 |                |              |
|   |  | 3 PLACES       | ±             | 3 PLACES ±                            |  | WJHUO           | 2014/10/30               |  |                 |                 |                |              |
|   |  | 2 PLACES       | ± 0.2         | 2 PLACES ± 0.2                        |  | CHK'D BY        | DATE                     |  |                 |                 |                |              |
|   |  | 1 PLACE        | ± 0.3         | 1 PLACE ± 0.3                         |  | AYIN            | 2015/03/12               |  |                 |                 |                |              |
|   | 0 PLACES ±   |                | 0 PLACES ±    |                                       | APPR BY  | DATE            | PRODUCT CUSTOMER DRAWING |  | SERIES          | MATERIAL NUMBER | CUSTOMER       |              |
|   | DRAFT WHERE APPLICABLE MUST REMAIN WITHIN DIMENSIONS           |                |               |                                       | DRAFT WHERE APPLICABLE MUST REMAIN WITHIN DIMENSIONS |                 | DRAWING SIZE             | THIRD ANGLE PROJECTION   | 105431          | SEE TABLE       | GENERAL MARKET |              |
|   |  |                |               |                                       |  |                 | A3                       |  | DOCUMENT NUMBER | DOC TYPE        | DOC PART       | SHEET NUMBER |
|   |  |                |               |                                       |  |                 |                          |  | SD-105431-001   | PSD             | 000            | 1 OF 4       |



KEY A

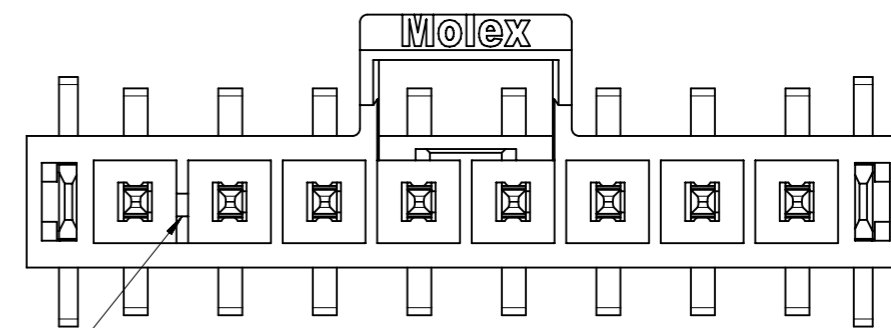


KEY B



KEY A

BLACK



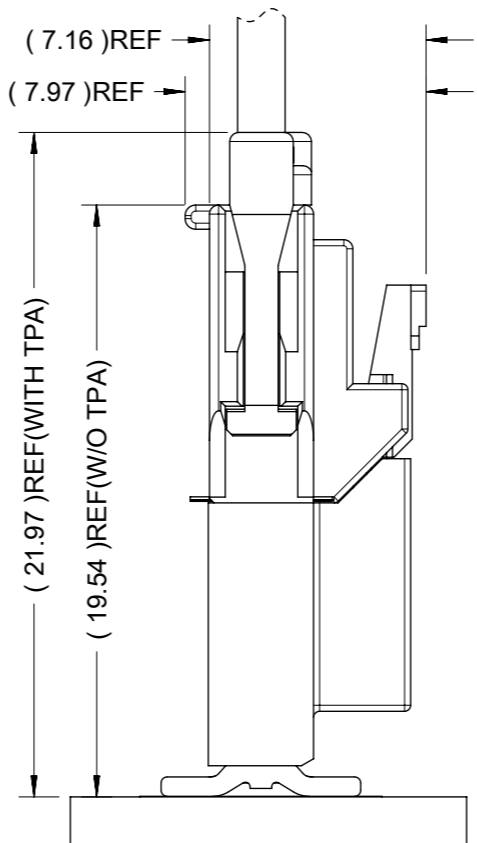
KEY B

NATURAL

COLOR OPTION

|         |   |       |  |            |                          |  |         |               |            |                 |
|---------|---|-------|--|------------|--------------------------|--|---------|---------------|------------|-----------------|
| SYMBOLS | THIS DRAWING CONTAINS INFORMATION THAT IS PROPRIETARY TO MOLEX ELECTRONIC TECHNOLOGIES, LLC AND SHOULD NOT BE USED WITHOUT WRITTEN PERMISSION |       | CURRENT REV DESC:                                    |            |                          |  |         |               |            |                 |
|         | DIMENSION UNITS   | SCALE |  |            |                          |  |         | EC NO: 670810 | 2021/04/27 | DOCUMENT NUMBER |
| ▽ = 0   | mm  |       | DRWN: GLLI   | 2021/07/22 | SD-105431-001            |  |         | PSD           | 000        | D1              |
| ▽ = 0   | GENERAL TOLERANCES (UNLESS SPECIFIED)   |       | CHK'D: YXZHENG                                       | 2021/07/22 | PRODUCT CUSTOMER DRAWING |  |         |               |            |                 |
| ▽ = 0   | ANGULAR TOL ± 3.0°  |       | APPR: YXZHENG  | 2021/07/22 | INITIAL REVISION:        |  |         |               |            |                 |
| ▽ = 0   | 4 PLACES ±  |       | DRWN: RMV02  | 2016/01/14 | MATERIAL NUMBER          |  |         | CUSTOMER      |            |                 |
| ▽ = 0   | 3 PLACES ±  |       | APPR: AYIN   | 2017/05/15 | SERIES                   |  |         | SHEET NUMBER  |            |                 |
| ▽ = 0   | 2 PLACES ± 0.2  |       | THIRD ANGLE PROJECTION                               |            | DRAWING                  |  | A3-SIZE |               | 105431     |                 |
| ▽ = 0   | 1 PLACE ± 0.3   |       | DRAFT WHERE APPLICABLE MUST REMAIN WITHIN DIMENSIONS |            | GENERAL MARKET           |  | 2 OF 4  |               |            |                 |
| ▽ = 0   | 0 PLACES ±  |       |  |            |                          |  |         |               |            |                 |

| 9                        |                             | 8      |        |        | 7        |           | 6              |           | 5   |  | 4 |  | 3 |  |  | 2           |             | 1                        |                             |             |             |        |          |         |      |
|--------------------------|-----------------------------|--------|--------|--------|----------|-----------|----------------|-----------|-----|--|---|--|---|--|--|-------------|-------------|--------------------------|-----------------------------|-------------|-------------|--------|----------|---------|------|
| PART NUMBER (WITH MYLAR) | PART NUMBER (WITHOUT MYLAR) | DIM. A | DIM. B | DIM. C | CKT SIZE | PLATING   | LUBE           |           |     |  |   |  |   |  |  |             |             | PART NUMBER (WITH MYLAR) | PART NUMBER (WITHOUT MYLAR) | DIM. A      | DIM. B      | DIM. C | CKT SIZE | PLATING | LUBE |
| 105431-1102              | 105431-1502                 | 8.23   | 2.50   | 6.11   | 2        | TIN       |                |           |     |  |   |  |   |  |  |             |             | 105431-2102              | 105431-2502                 | 8.23        | 2.50        | 6.11   | 2        | TIN     |      |
| 105431-1103              | 105431-1503                 | 10.73  | 5.00   | 8.61   | 3        |           |                |           |     |  |   |  |   |  |  |             |             | 105431-2103              | 105431-2503                 | 10.73       | 5.00        | 8.61   | 3        |         |      |
| 105431-1104              | 105431-1504                 | 13.23  | 7.50   | 11.11  | 4        |           |                |           |     |  |   |  |   |  |  |             |             | 105431-2104              | 105431-2504                 | 13.23       | 7.50        | 11.11  | 4        |         |      |
| 105431-1105              | 105431-1505                 | 15.73  | 10.00  | 13.61  | 5        |           |                |           |     |  |   |  |   |  |  |             |             | 105431-2105              | 105431-2505                 | 15.73       | 10.00       | 13.61  | 5        |         |      |
| 105431-1106              | 105431-1506                 | 18.23  | 12.50  | 16.11  | 6        |           |                |           |     |  |   |  |   |  |  |             |             | 105431-2106              | 105431-2506                 | 18.23       | 12.50       | 16.11  | 6        |         |      |
| 105431-1107              | 105431-1507                 | 20.73  | 15.00  | 18.61  | 7        |           |                |           |     |  |   |  |   |  |  |             |             | 105431-2107              | 105431-2507                 | 20.73       | 15.00       | 18.61  | 7        |         |      |
| 105431-1108              | 105431-1508                 | 23.23  | 17.50  | 21.11  | 8        |           |                |           |     |  |   |  |   |  |  |             |             | 105431-2108              | 105431-2508                 | 23.23       | 17.50       | 21.11  | 8        |         |      |
| 105431-1202              | 105431-1602                 | 8.23   | 2.50   | 6.11   | 2        |           |                | GOLD 0.38 | NO  |  |   |  |   |  |  |             |             |                          |                             | 105431-2202 | 105431-2602 | 8.23   | 2.50     |         |      |
| 105431-1203              | 105431-1603                 | 10.73  | 5.00   | 8.61   | 3        |           |                |           |     |  |   |  |   |  |  | 105431-2203 | 105431-2603 | 10.73                    | 5.00                        | 8.61        | 3           |        |          |         |      |
| 105431-1204              | 105431-1604                 | 13.23  | 7.50   | 11.11  | 4        |           |                |           |     |  |   |  |   |  |  | 105431-2204 | 105431-2604 | 13.23                    | 7.50                        | 11.11       | 4           |        |          |         |      |
| 105431-1205              | 105431-1605                 | 15.73  | 10.00  | 13.61  | 5        |           |                |           |     |  |   |  |   |  |  | 105431-2205 | 105431-2605 | 15.73                    | 10.00                       | 13.61       | 5           |        |          |         |      |
| 105431-1206              | 105431-1606                 | 18.23  | 12.50  | 16.11  | 6        |           |                |           |     |  |   |  |   |  |  | 105431-2206 | 105431-2606 | 18.23                    | 12.50                       | 16.11       | 6           |        |          |         |      |
| 105431-1207              | 105431-1607                 | 20.73  | 15.00  | 18.61  | 7        |           |                |           |     |  |   |  |   |  |  | 105431-2207 | 105431-2607 | 20.73                    | 15.00                       | 18.61       | 7           |        |          |         |      |
| 105431-1208              | 105431-1608                 | 23.23  | 17.50  | 21.11  | 8        |           |                |           |     |  |   |  |   |  |  | 105431-2208 | 105431-2608 | 23.23                    | 17.50                       | 21.11       | 8           |        |          |         |      |
| 105431-1302              | 105431-1702                 | 8.23   | 2.50   | 6.11   | 2        | GOLD 0.76 |                |           |     |  |   |  |   |  |  |             |             |                          |                             | 105431-2302 | 105431-2702 | 8.23   | 2.50     | 6.11    | 2    |
| 105431-1303              | 105431-1703                 | 10.73  | 5.00   | 8.61   | 3        |           |                |           |     |  |   |  |   |  |  |             |             | 105431-2303              | 105431-2703                 | 10.73       | 5.00        | 8.61   | 3        |         |      |
| 105431-1304              | 105431-1704                 | 13.23  | 7.50   | 11.11  | 4        |           |                |           |     |  |   |  |   |  |  |             |             | 105431-2304              | 105431-2704                 | 13.23       | 7.50        | 11.11  | 4        |         |      |
| 105431-1305              | 105431-1705                 | 15.73  | 10.00  | 13.61  | 5        |           |                |           |     |  |   |  |   |  |  |             |             | 105431-2305              | 105431-2705                 | 15.73       | 10.00       | 13.61  | 5        |         |      |
| 105431-1306              | 105431-1706                 | 18.23  | 12.50  | 16.11  | 6        |           |                |           |     |  |   |  |   |  |  |             |             | 105431-2306              | 105431-2706                 | 18.23       | 12.50       | 16.11  | 6        |         |      |
| 105431-1307              | 105431-1707                 | 20.73  | 15.00  | 18.61  | 7        |           |                |           |     |  |   |  |   |  |  |             |             | 105431-2307              | 105431-2707                 | 20.73       | 15.00       | 18.61  | 7        |         |      |
| 105431-1308              | 105431-1708                 | 23.23  | 17.50  | 21.11  | 8        |           |                |           |     |  |   |  |   |  |  |             |             | 105431-2308              | 105431-2708                 | 23.23       | 17.50       | 21.11  | 8        |         |      |
| 105431-1402              | 105431-1802                 | 8.23   | 2.50   | 6.11   | 2        |           |                | GOLD 0.76 | YES |  |   |  |   |  |  |             |             |                          |                             | 105431-2402 | 105431-2802 | 8.23   | 2.50     | 6.11    | 2    |
| 105431-1403              | 105431-1803                 | 10.73  | 5.00   | 8.61   | 3        |           |                |           |     |  |   |  |   |  |  | 105431-2403 | 105431-2803 | 10.73                    | 5.00                        | 8.61        | 3           |        |          |         |      |
| 105431-1404              | 105431-1804                 | 13.23  | 7.50   | 11.11  | 4        |           |                |           |     |  |   |  |   |  |  | 105431-2404 | 105431-2804 | 13.23                    | 7.50                        | 11.11       | 4           |        |          |         |      |
| 105431-1405              | 105431-1805                 | 15.73  | 10.00  | 13.61  | 5        |           |                |           |     |  |   |  |   |  |  | 105431-2405 | 105431-2805 | 15.73                    | 10.00                       | 13.61       | 5           |        |          |         |      |
| 105431-1406              | 105431-1806                 | 18.23  | 12.50  | 16.11  | 6        |           |                |           |     |  |   |  |   |  |  | 105431-2406 | 105431-2806 | 18.23                    | 12.50                       | 16.11       | 6           |        |          |         |      |
| 105431-1407              | 105431-1807                 | 20.73  | 15.00  | 18.61  | 7        |           |                |           |     |  |   |  |   |  |  | 105431-2407 | 105431-2807 | 20.73                    | 15.00                       | 18.61       | 7           |        |          |         |      |
| 105431-1408              | 105431-1808                 | 23.23  | 17.50  | 21.11  | 8        |           |                |           |     |  |   |  |   |  |  | 105431-2408 | 105431-2808 | 23.23                    | 17.50                       | 21.11       | 8           |        |          |         |      |
| COLOR: BLACK             |                             |        |        |        |          |           | COLOR: NATURAL |           |     |  |   |  |   |  |  |             |             |                          |                             |             |             |        |          |         |      |



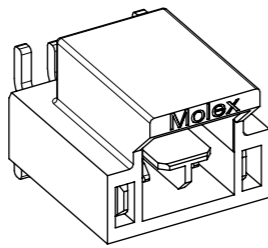
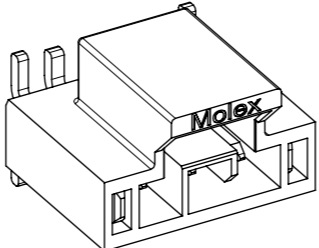
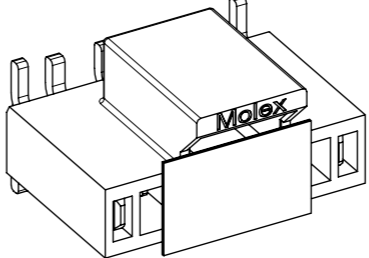
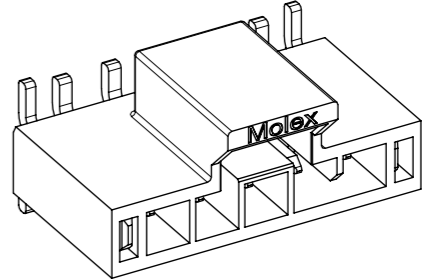
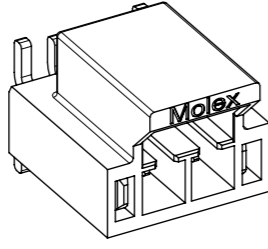
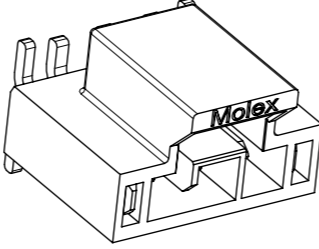
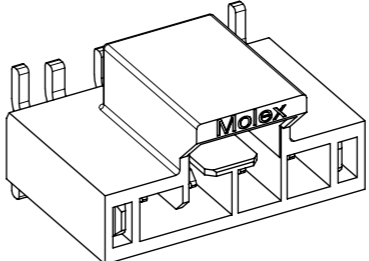
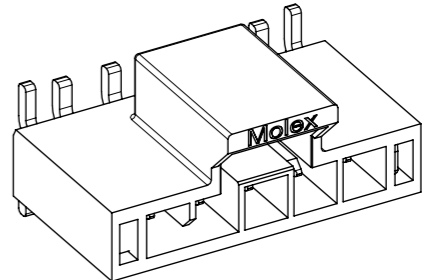
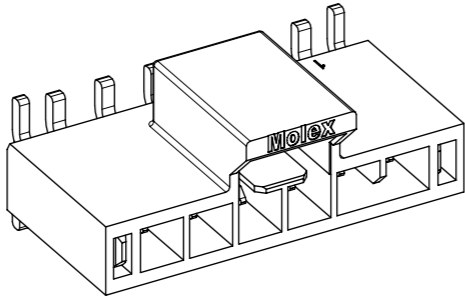
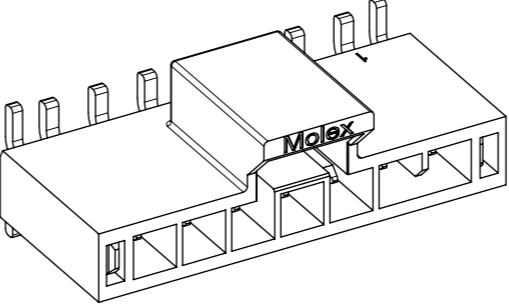
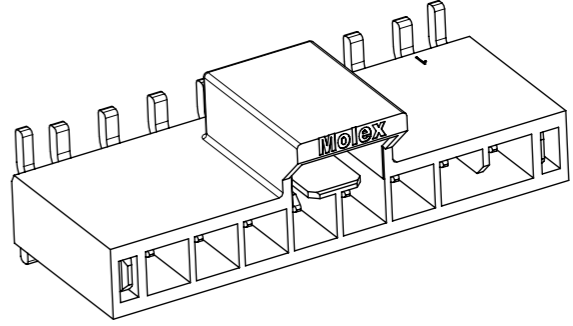
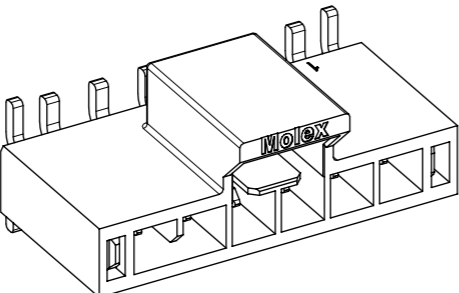
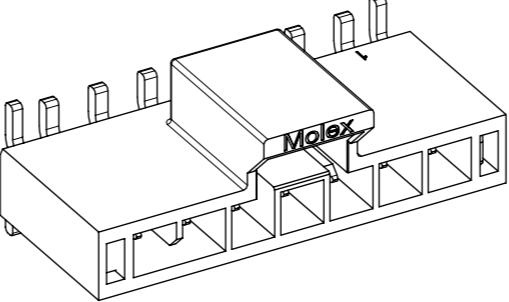
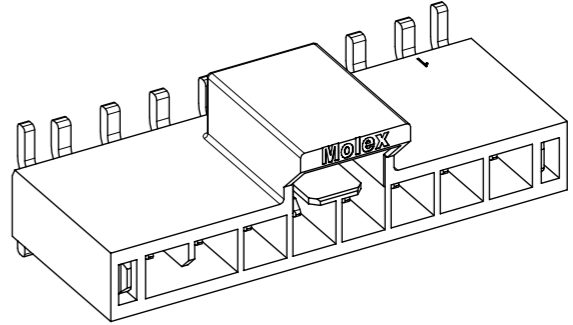
**NOTES FOR ALL PARTS**

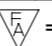
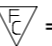
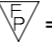
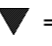
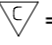
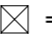
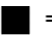
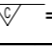

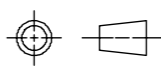
1> MATERIAL:  
HOUSING: LCP, UL 94V-0.  
TERMINAL: BRASS.  
SOLDER CLIP: BRASS.

2> PLATING FINISHED:  
TERMINAL:  
CONTACT AREA:  
a. REFLOWED MATTE TIN 0.76 MICRONS MIN; b. GOLD 0.38 MICRONS MIN; c. GOLD 0.76 MICRONS MIN.  
SOLDER AREA: TIN 0.76 MICRONS MINIMUM.  
UNDER PLATING NICKEL 1.25 MICRONS MINIMUM.  
SOLDER CLIP: TIN 2.5 MICRONS MINIMUM; UNDER PLATING NICKEL 1.25 MICRONS MINIMUM.

3> PRODUCT SPECIFICATION: PS-105405-001.  
4> PACKAGE: TAPE REEL, DETAILS REFER TO DRAWING 1054311000-PK.  
5> ALL COMPONENTS AND PRODUCT COMPLIANT TO RoHS DIRECTIVE 2011/65/EU AND ELV DIRECTIVE 2000/53/EC.  
6> PRODUCT MATE WITH SERIES OF 105307(RECEPTACLE), 105300(CRIMP TERMINAL).  
7> PARTS CONFORM TO CLASS 'B' REQUIREMENTS OF COSMETIC SPECIFICATION PS-45499-002.

| <table border="1"> <tr><th>QUALITY SYMBOLS</th><td>▽A = 0</td></tr> <tr><td>▽E = 0</td></tr> <tr><td>▽B = 0</td></tr> <tr><td>▽ = 0</td></tr> <tr><td>▽C = 0</td></tr> <tr><td>⊗ = 0</td></tr> <tr><td>■ = 0</td></tr> <tr><td>▽ = 0</td></tr> </table> |            |                               |               |                  |                  |                        |                                       |            |                 | QUALITY SYMBOLS | ▽A = 0   | ▽E = 0       | ▽B = 0 | ▽ = 0 | ▽C = 0   | ⊗ = 0   | ■ = 0 | ▽ = 0 | <p>THIS DRAWING CONTAINS INFORMATION THAT IS PROPRIETARY TO MOLEX ELECTRONIC TECHNOLOGIES, LLC AND SHOULD NOT BE USED WITHOUT WRITTEN PERMISSION</p> <table border="1"> <tr> <td>EC NO: 670810</td> <td>DRWN: GLLI</td> <td>CHK'D: YXZHENG</td> <td>APPR: YXZHENG</td> <td>DATE: 2021/04/27</td> <td>DATE: 2021/07/22</td> <td>DATE: 2021/07/22</td> <td colspan="2">GENERAL TOLERANCES (UNLESS SPECIFIED)</td> <td>DIMENSION UNITS</td> <td>SCALE</td> <td colspan="4" rowspan="4" style="text-align: center;"> <p>SD DRAWING FOR NANO-FIT HEADER OF SMT VERTICAL SINGLE CONN.</p> <p>PRODUCT CUSTOMER DRAWING</p> </td> </tr> <tr> <td colspan="2">4 PLACES ±</td> <td colspan="2">3 PLACES ±</td> <td colspan="2">2 PLACES ± 0.2</td> <td colspan="2">1 PLACE ± 0.3</td> <td colspan="2">0 PLACES ±</td> <td>mm</td> <td>5:1</td> <td>DRWN BY</td> <td>DATE</td> </tr> <tr> <td colspan="2">DRAFT WHERE APPLICABLE</td> <td colspan="2">MUST REMAIN WITHIN DIMENSIONS</td> <td colspan="2">A3</td> <td colspan="2">THIRD ANGLE PROJECTION</td> <td colspan="2">WJHUO</td> <td colspan="2">2014/10/30</td> <td>CHK'D BY</td> <td>DATE</td> </tr> <tr> <td colspan="2">A3</td> <td colspan="2">THIRD ANGLE PROJECTION</td> <td colspan="2">AYIN</td> <td colspan="2">2015/03/12</td> <td colspan="2">APPR BY</td> <td colspan="2">DATE</td> <td colspan="2">105431</td> </tr> <tr> <td colspan="2">SERIES</td> <td colspan="2">MATERIAL NUMBER</td> <td colspan="2">CUSTOMER</td> <td colspan="2">DOCUMENT NUMBER</td> <td colspan="2">DOC TYPE</td> <td colspan="2">DOC PART</td> <td colspan="2">SHEET NUMBER</td> </tr> <tr> <td colspan="2">105431</td> <td colspan="2">SEE TABLE</td> <td colspan="2">GENERAL MARKET</td> <td colspan="2">SD-105431-001</td> <td colspan="2">PSD</td> <td colspan="2">000</td> <td colspan="2">3 OF 4</td> </tr> </table> |  |  |  |  |  |  |  |  |  | EC NO: 670810 | DRWN: GLLI | CHK'D: YXZHENG | APPR: YXZHENG | DATE: 2021/04/27 | DATE: 2021/07/22 | DATE: 2021/07/22 | GENERAL TOLERANCES (UNLESS SPECIFIED) |  | DIMENSION UNITS | SCALE | <p>SD DRAWING FOR NANO-FIT HEADER OF SMT VERTICAL SINGLE CONN.</p> <p>PRODUCT CUSTOMER DRAWING</p> |  |  |  | 4 PLACES ± |  | 3 PLACES ± |  | 2 PLACES ± 0.2 |  | 1 PLACE ± 0.3 |  | 0 PLACES ± |  | mm | 5:1 | DRWN BY | DATE | DRAFT WHERE APPLICABLE |  | MUST REMAIN WITHIN DIMENSIONS |  | A3 |  | THIRD ANGLE PROJECTION |  | WJHUO |  | 2014/10/30 |  | CHK'D BY | DATE | A3 |  | THIRD ANGLE PROJECTION |  | AYIN |  | 2015/03/12 |  | APPR BY |  | DATE |  | 105431 |  | SERIES |  | MATERIAL NUMBER |  | CUSTOMER |  | DOCUMENT NUMBER |  | DOC TYPE |  | DOC PART |  | SHEET NUMBER |  | 105431 |  | SEE TABLE |  | GENERAL MARKET |  | SD-105431-001 |  | PSD |  | 000 |  | 3 OF 4 |  |
|---|------------|-------------------------------|---------------|------------------|------------------|------------------------|---------------------------------------|------------|-----------------|-----------------|--|--------------|--------|-------|----------|---------|-------|-------|---|--|--|--|--|--|--|--|--|--|---------------|------------|----------------|---------------|------------------|------------------|------------------|---------------------------------------|--|-----------------|-------|--|--|--|--|------------|--|------------|--|----------------|--|---------------|--|------------|--|----|-----|---------|------|------------------------|--|-------------------------------|--|----|--|------------------------|--|-------|--|------------|--|----------|------|----|--|------------------------|--|------|--|------------|--|---------|--|------|--|--------|--|--------|--|-----------------|--|----------|--|-----------------|--|----------|--|----------|--|--------------|--|--------|--|-----------|--|----------------|--|---------------|--|-----|--|-----|--|--------|--|
| QUALITY SYMBOLS   | ▽A = 0     |                               |               |                  |                  |                        |                                       |            |                 |                 |  |              |        |       |          |         |       |       |   |  |  |  |  |  |  |  |  |  |               |            |                |               |                  |                  |                  |                                       |  |                 |       |  |  |  |  |            |  |            |  |                |  |               |  |            |  |    |     |         |      |                        |  |                               |  |    |  |                        |  |       |  |            |  |          |      |    |  |                        |  |      |  |            |  |         |  |      |  |        |  |        |  |                 |  |          |  |                 |  |          |  |          |  |              |  |        |  |           |  |                |  |               |  |     |  |     |  |        |  |
| ▽E = 0  |            |                               |               |                  |                  |                        |                                       |            |                 |                 |  |              |        |       |          |         |       |       |   |  |  |  |  |  |  |  |  |  |               |            |                |               |                  |                  |                  |                                       |  |                 |       |  |  |  |  |            |  |            |  |                |  |               |  |            |  |    |     |         |      |                        |  |                               |  |    |  |                        |  |       |  |            |  |          |      |    |  |                        |  |      |  |            |  |         |  |      |  |        |  |        |  |                 |  |          |  |                 |  |          |  |          |  |              |  |        |  |           |  |                |  |               |  |     |  |     |  |        |  |
| ▽B = 0  |            |                               |               |                  |                  |                        |                                       |            |                 |                 |  |              |        |       |          |         |       |       |   |  |  |  |  |  |  |  |  |  |               |            |                |               |                  |                  |                  |                                       |  |                 |       |  |  |  |  |            |  |            |  |                |  |               |  |            |  |    |     |         |      |                        |  |                               |  |    |  |                        |  |       |  |            |  |          |      |    |  |                        |  |      |  |            |  |         |  |      |  |        |  |        |  |                 |  |          |  |                 |  |          |  |          |  |              |  |        |  |           |  |                |  |               |  |     |  |     |  |        |  |
| ▽ = 0   |            |                               |               |                  |                  |                        |                                       |            |                 |                 |  |              |        |       |          |         |       |       |   |  |  |  |  |  |  |  |  |  |               |            |                |               |                  |                  |                  |                                       |  |                 |       |  |  |  |  |            |  |            |  |                |  |               |  |            |  |    |     |         |      |                        |  |                               |  |    |  |                        |  |       |  |            |  |          |      |    |  |                        |  |      |  |            |  |         |  |      |  |        |  |        |  |                 |  |          |  |                 |  |          |  |          |  |              |  |        |  |           |  |                |  |               |  |     |  |     |  |        |  |
| ▽C = 0  |            |                               |               |                  |                  |                        |                                       |            |                 |                 |  |              |        |       |          |         |       |       |   |  |  |  |  |  |  |  |  |  |               |            |                |               |                  |                  |                  |                                       |  |                 |       |  |  |  |  |            |  |            |  |                |  |               |  |            |  |    |     |         |      |                        |  |                               |  |    |  |                        |  |       |  |            |  |          |      |    |  |                        |  |      |  |            |  |         |  |      |  |        |  |        |  |                 |  |          |  |                 |  |          |  |          |  |              |  |        |  |           |  |                |  |               |  |     |  |     |  |        |  |
| ⊗ = 0   |            |                               |               |                  |                  |                        |                                       |            |                 |                 |  |              |        |       |          |         |       |       |   |  |  |  |  |  |  |  |  |  |               |            |                |               |                  |                  |                  |                                       |  |                 |       |  |  |  |  |            |  |            |  |                |  |               |  |            |  |    |     |         |      |                        |  |                               |  |    |  |                        |  |       |  |            |  |          |      |    |  |                        |  |      |  |            |  |         |  |      |  |        |  |        |  |                 |  |          |  |                 |  |          |  |          |  |              |  |        |  |           |  |                |  |               |  |     |  |     |  |        |  |
| ■ = 0   |            |                               |               |                  |                  |                        |                                       |            |                 |                 |  |              |        |       |          |         |       |       |   |  |  |  |  |  |  |  |  |  |               |            |                |               |                  |                  |                  |                                       |  |                 |       |  |  |  |  |            |  |            |  |                |  |               |  |            |  |    |     |         |      |                        |  |                               |  |    |  |                        |  |       |  |            |  |          |      |    |  |                        |  |      |  |            |  |         |  |      |  |        |  |        |  |                 |  |          |  |                 |  |          |  |          |  |              |  |        |  |           |  |                |  |               |  |     |  |     |  |        |  |
| ▽ = 0   |            |                               |               |                  |                  |                        |                                       |            |                 |                 |  |              |        |       |          |         |       |       |   |  |  |  |  |  |  |  |  |  |               |            |                |               |                  |                  |                  |                                       |  |                 |       |  |  |  |  |            |  |            |  |                |  |               |  |            |  |    |     |         |      |                        |  |                               |  |    |  |                        |  |       |  |            |  |          |      |    |  |                        |  |      |  |            |  |         |  |      |  |        |  |        |  |                 |  |          |  |                 |  |          |  |          |  |              |  |        |  |           |  |                |  |               |  |     |  |     |  |        |  |
| EC NO: 670810   | DRWN: GLLI | CHK'D: YXZHENG                | APPR: YXZHENG | DATE: 2021/04/27 | DATE: 2021/07/22 | DATE: 2021/07/22       | GENERAL TOLERANCES (UNLESS SPECIFIED) |            | DIMENSION UNITS | SCALE           | <p>SD DRAWING FOR NANO-FIT HEADER OF SMT VERTICAL SINGLE CONN.</p> <p>PRODUCT CUSTOMER DRAWING</p> |              |        |       |          |         |       |       |   |  |  |  |  |  |  |  |  |  |               |            |                |               |                  |                  |                  |                                       |  |                 |       |  |  |  |  |            |  |            |  |                |  |               |  |            |  |    |     |         |      |                        |  |                               |  |    |  |                        |  |       |  |            |  |          |      |    |  |                        |  |      |  |            |  |         |  |      |  |        |  |        |  |                 |  |          |  |                 |  |          |  |          |  |              |  |        |  |           |  |                |  |               |  |     |  |     |  |        |  |
| 4 PLACES ±  |            | 3 PLACES ±                    |               | 2 PLACES ± 0.2   |                  | 1 PLACE ± 0.3          |                                       | 0 PLACES ± |                 | mm              |  |              |        |       | 5:1      | DRWN BY | DATE  |       |   |  |  |  |  |  |  |  |  |  |               |            |                |               |                  |                  |                  |                                       |  |                 |       |  |  |  |  |            |  |            |  |                |  |               |  |            |  |    |     |         |      |                        |  |                               |  |    |  |                        |  |       |  |            |  |          |      |    |  |                        |  |      |  |            |  |         |  |      |  |        |  |        |  |                 |  |          |  |                 |  |          |  |          |  |              |  |        |  |           |  |                |  |               |  |     |  |     |  |        |  |
| DRAFT WHERE APPLICABLE  |            | MUST REMAIN WITHIN DIMENSIONS |               | A3               |                  | THIRD ANGLE PROJECTION |                                       | WJHUO      |                 | 2014/10/30      |  |              |        |       | CHK'D BY | DATE    |       |       |   |  |  |  |  |  |  |  |  |  |               |            |                |               |                  |                  |                  |                                       |  |                 |       |  |  |  |  |            |  |            |  |                |  |               |  |            |  |    |     |         |      |                        |  |                               |  |    |  |                        |  |       |  |            |  |          |      |    |  |                        |  |      |  |            |  |         |  |      |  |        |  |        |  |                 |  |          |  |                 |  |          |  |          |  |              |  |        |  |           |  |                |  |               |  |     |  |     |  |        |  |
| A3  |            | THIRD ANGLE PROJECTION        |               | AYIN             |                  | 2015/03/12             |                                       | APPR BY    |                 | DATE            |  |              |        |       | 105431   |         |       |       |   |  |  |  |  |  |  |  |  |  |               |            |                |               |                  |                  |                  |                                       |  |                 |       |  |  |  |  |            |  |            |  |                |  |               |  |            |  |    |     |         |      |                        |  |                               |  |    |  |                        |  |       |  |            |  |          |      |    |  |                        |  |      |  |            |  |         |  |      |  |        |  |        |  |                 |  |          |  |                 |  |          |  |          |  |              |  |        |  |           |  |                |  |               |  |     |  |     |  |        |  |
| SERIES  |            | MATERIAL NUMBER               |               | CUSTOMER         |                  | DOCUMENT NUMBER        |                                       | DOC TYPE   |                 | DOC PART        |  | SHEET NUMBER |        |       |          |         |       |       |   |  |  |  |  |  |  |  |  |  |               |            |                |               |                  |                  |                  |                                       |  |                 |       |  |  |  |  |            |  |            |  |                |  |               |  |            |  |    |     |         |      |                        |  |                               |  |    |  |                        |  |       |  |            |  |          |      |    |  |                        |  |      |  |            |  |         |  |      |  |        |  |        |  |                 |  |          |  |                 |  |          |  |          |  |              |  |        |  |           |  |                |  |               |  |     |  |     |  |        |  |
| 105431  |            | SEE TABLE                     |               | GENERAL MARKET   |                  | SD-105431-001          |                                       | PSD        |                 | 000             |  | 3 OF 4       |        |       |          |         |       |       |   |  |  |  |  |  |  |  |  |  |               |            |                |               |                  |                  |                  |                                       |  |                 |       |  |  |  |  |            |  |            |  |                |  |               |  |            |  |    |     |         |      |                        |  |                               |  |    |  |                        |  |       |  |            |  |          |      |    |  |                        |  |      |  |            |  |         |  |      |  |        |  |        |  |                 |  |          |  |                 |  |          |  |          |  |              |  |        |  |           |  |                |  |               |  |     |  |     |  |        |  |
| RELEASE STATUS  | P1         | RELEASE DATE                  | 2021/07/22    | 09:31:37         |                  |                        |                                       |            |                 |                 |  |              |        |       |          |         |       |       |   |  |  |  |  |  |  |  |  |  |               |            |                |               |                  |                  |                  |                                       |  |                 |       |  |  |  |  |            |  |            |  |                |  |               |  |            |  |    |     |         |      |                        |  |                               |  |    |  |                        |  |       |  |            |  |          |      |    |  |                        |  |      |  |            |  |         |  |      |  |        |  |        |  |                 |  |          |  |                 |  |          |  |          |  |              |  |        |  |           |  |                |  |               |  |     |  |     |  |        |  |

|         |  |   |   |   |
|---------|--|---|---|---|
|         | 2 CKT  | 3 CKT   | 4 CKT   | 5 CKT   |
| BLACK   |     |    |    |  |
| NATURAL |     |    |    |  |
|         | 6 CKT  | 7 CKT   | 8 CKT   |   |
| BLACK   |   |   |   |   |
| NATURAL |  |  |  |   |

|  |  |  |  |  |  |  |  |  |  |  |  |   |  |
|--|--|--|--|--|--|--|--|--|--|--|--|---|--|
| THIS DRAWING CONTAINS INFORMATION THAT IS PROPRIETARY TO MOLEX ELECTRONIC TECHNOLOGIES, LLC AND SHOULD NOT BE USED WITHOUT WRITTEN PERMISSION  |  |  |  |  |  |  |  |  |  |  |  |   |  |
| <b>QUALITY SYMBOLS</b><br> = 0<br> = 0<br> = 0<br> = 0<br> = 0<br> = 0<br> = 0<br> = 0 |  | EC NO: 670810<br>DRWN: GLLI<br>CHK'D: YXZHENG<br>APPR: YXZHENG |  | 2021/04/27<br>2021/07/22<br>2021/07/22   |  | <b>GENERAL TOLERANCES (UNLESS SPECIFIED)</b><br>ANGULAR TOL ± 3.0 °<br>4 PLACES ±<br>3 PLACES ±<br>2 PLACES ± 0.2<br>1 PLACE ± 0.3<br>0 PLACES ± |  | DRAFT WHERE APPLICABLE<br>MUST REMAIN<br>WITHIN DIMENSIONS |  | DIMENSION UNITS: mm<br>SCALE: 3:1<br>DRWN BY: RMV02<br>DATE: 2016/01/14<br>CHK'D BY:<br>DATE:<br>APPR BY: AYIN<br>DATE: 2017/05/15 |  | <br>SD DRAWING FOR<br>NANO-FIT HEADER OF SMT VERTICAL SINGLE CONN. |  |
| PRODUCT CUSTOMER DRAWING   |  | SERIES: 105431<br>MATERIAL NUMBER:<br>CUSTOMER: GENERAL MARKET |  | DOCUMENT NUMBER: SD-105431-001<br>DOC TYPE: PSD<br>DOC PART: 000<br>SHEET NUMBER: 4 OF 4 |  | DRAWING SIZE: A3<br>THIRD ANGLE PROJECTION:                 |  |  |  |  |  |   |  |