

10 9 8 7 6 5 4 3 2 1

F F

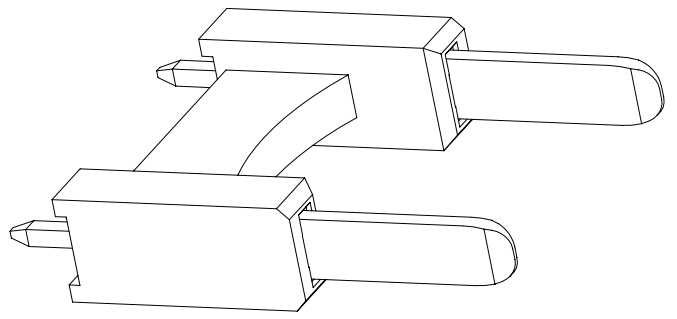
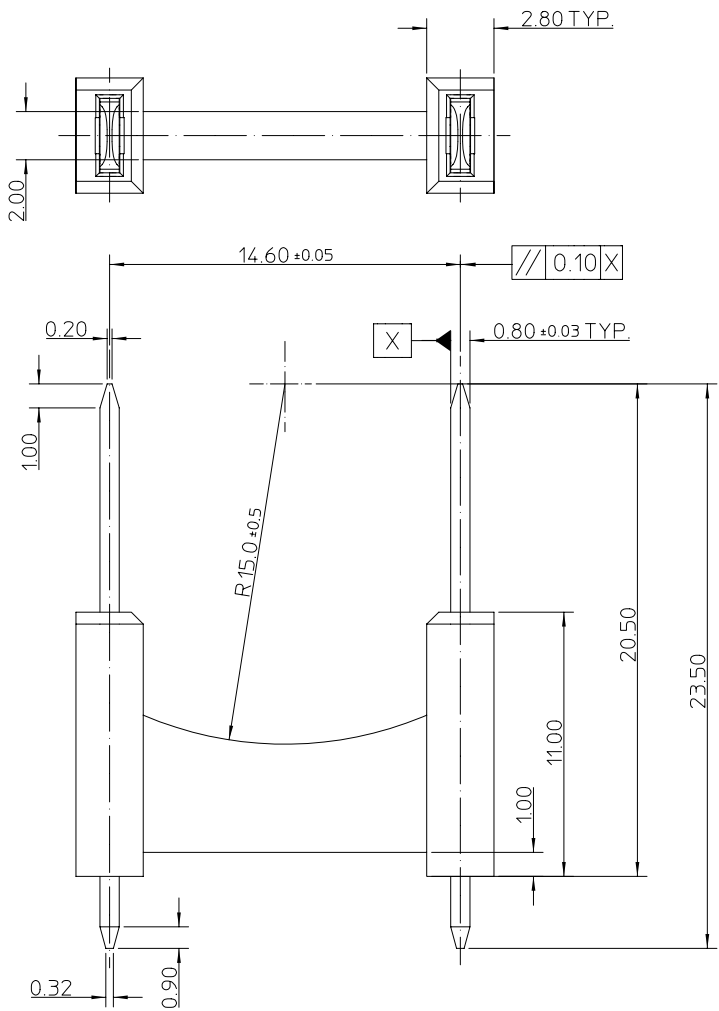
E E

D D

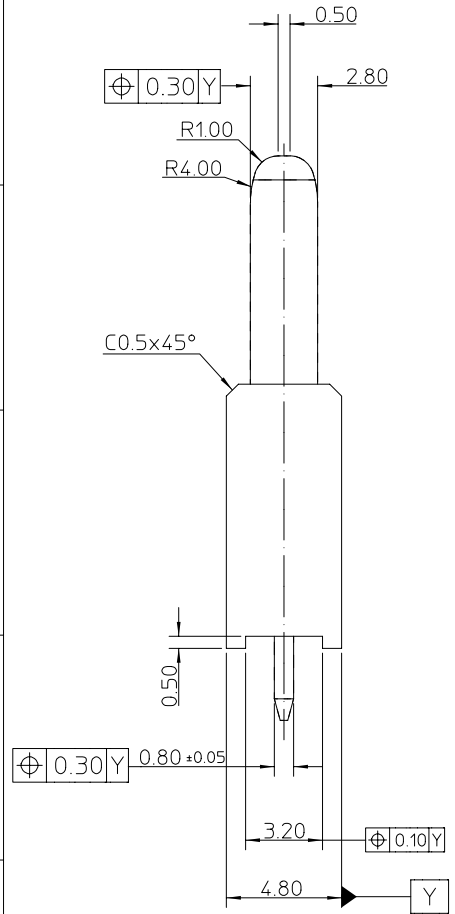
C C

B B

A A



- NOTES:
1. MATERIALS: HOUSING-POLYESTER (PBT). 30% GLASS FILLED COLOUR BLACK.  
TERMINAL-BRASS.  
-PLATING: 3-5µm Sn OVER  
1.27µm MIN Ni OVERALL
  2. PACKAGING: T.B.D.
  3. PRODUCT SPEC: T.B.D.
  4. PCB LAYOUT TBA ON LATER REVISION



ORIGINAL RELEASE EC NO: DRWN:BCROWE 2002/05/24 CHKD: APPR:BMAGUIRE 2002/06/20	QUALITY SYMBOLS ▽ = 0 ∇ = 0	GENERAL TOLERANCES (UNLESS SPECIFIED)		SCALE 5:1	DESIGN UNITS METRIC	THIRD ANGLE PROJECTION	REVISE ON CAD ONLY	
		mm	INCH	DIMENSION STYLE MM ONLY		TITLE 2 CKT CONNECTOR ASSEMBLY		
		4 PLACES ± ---	± ---	DRAWN BY B.CROWE	DATE 2002/05/24	MOLEX INCORPORATED		
		3 PLACES ± ---	± ---	CHECKED BY BMAGUIRE	DATE 2002/05/31	MATERIAL NO. 92330-0001	DOCUMENT NO. SD-92330-001	SHEET NO. 1 OF 1
2 PLACES ± 0.10	± ---	ANGULAR ± 2 °		APPROVED BY MWILHITE	DATE 2002/06/5	THIS DRAWING CONTAINS INFORMATION THAT IS PROPRIETARY TO MOLEX INCORPORATED AND SHOULD NOT BE USED WITHOUT WRITTEN PERMISSION		
1 PLACE ± 0.2	± ---	DRAFT WHERE APPLICABLE MUST REMAIN WITHIN DIMENSIONS		A3				

9 8 7 6 5 4 3 2 1