

Customer Information Sheet

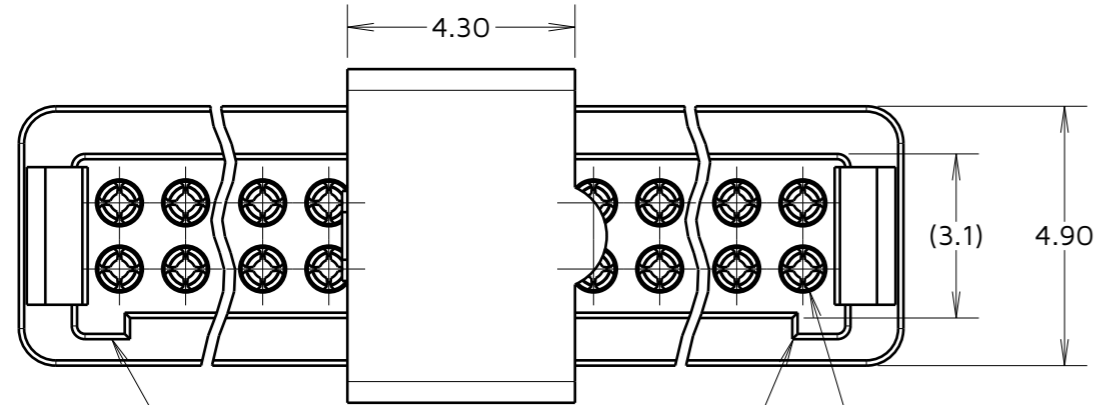
IF IN DOUBT - ASK

©

NOT TO SCALE

THIRD ANGLE PROJECTION

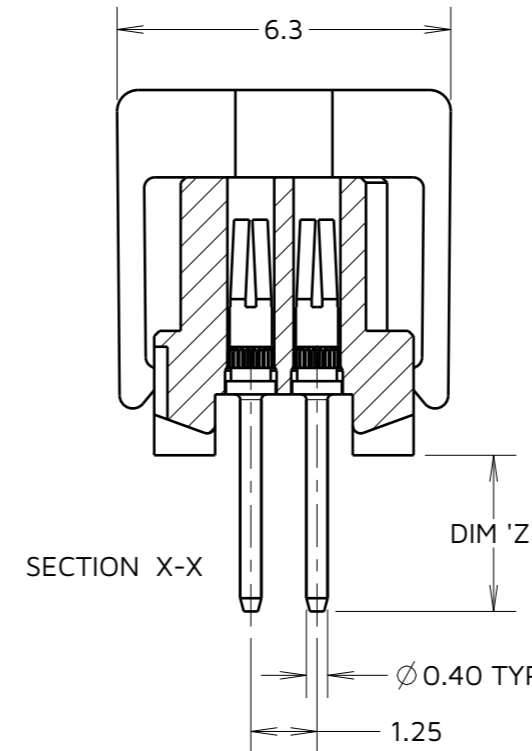
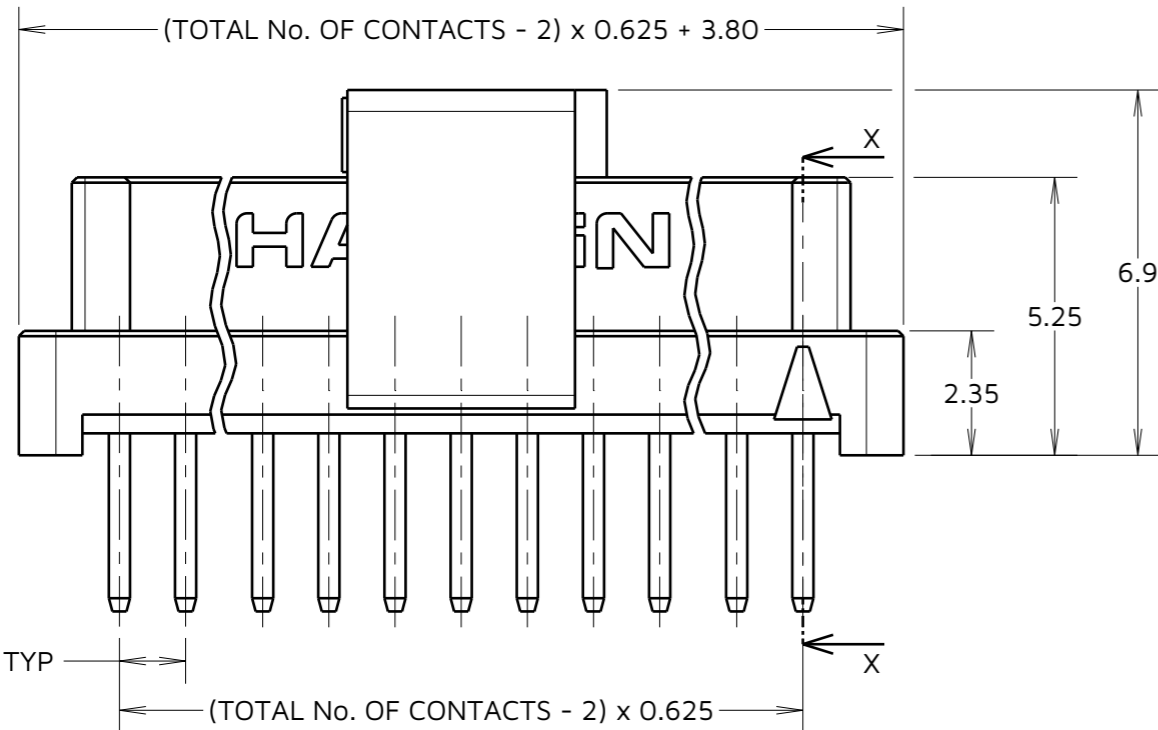
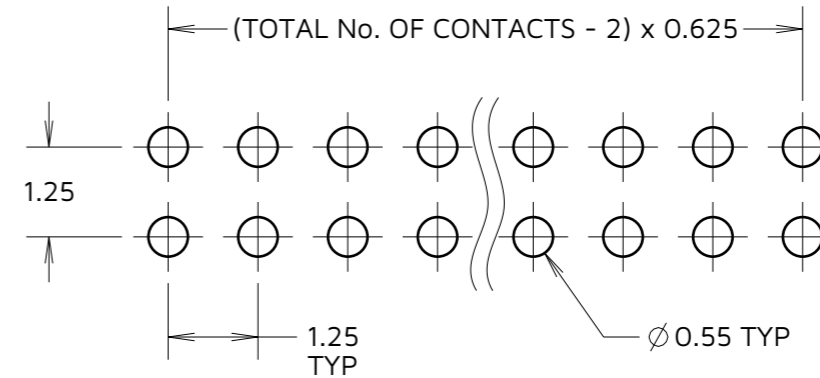
ALL DIMENSIONS IN mm



POLARISATION FEATURES

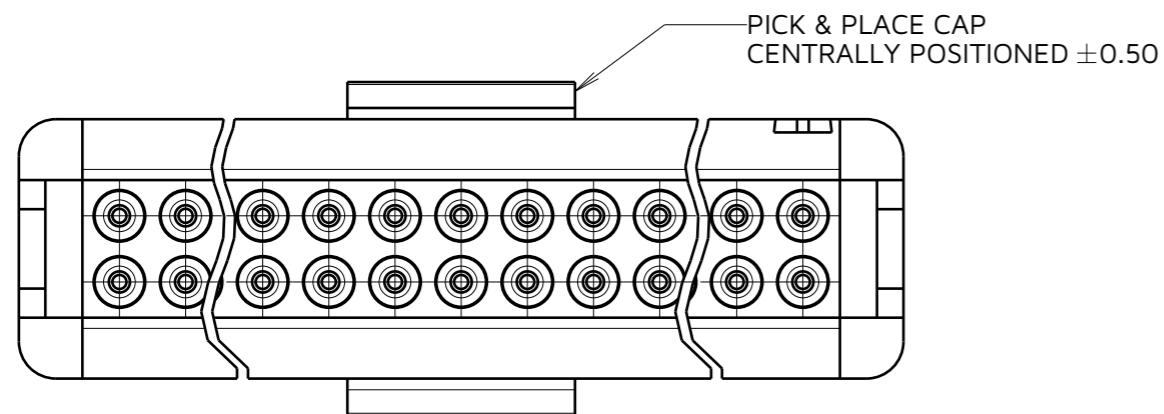
CONTACT No. 1

RECOMMENDED PCB LAYOUT
TOLERANCE = ±0.05mm



ORDER CODE: **G125-FVXXX05LOP**
 CONTACT STYLE: _____
 3.00mm PC-TAIL = V1
 4.50mm PC-TAIL = V2
 TOTAL No. OF CONTACTS: _____
 06, 10, 12, 16, 20, 26, 34, 50

CONTACT STYLE	DIM 'Z'
V1	3.00
V2	4.50



CONNECTOR DETAILS AND PCB LAYOUT ONLY.
SEE SHEET 5 FOR TAPE AND STRIP DETAILS.

NOTES:
1. FOR COMPLETE SPECIFICATION, SEE COMPONENT SPECIFICATION C125XX (LATEST ISSUE).

MGP	5	26.04.23	32485
NAME	ISS.	DATE	CN/CO
APPROVED: MGP			
CHECKED: RTP			
DRAWN: S.FLOWER			
ASSEMBLY DRG:			

HARWIN

www.harwin.com

TOLERANCES
 X. = ±1mm
 X.X = ±0.50mm
 X.XX = ±0.20mm
 X.XXX = ±0.01mm
 ANGLES = ±5°
 UNLESS STATED

THIS DRAWING AND ANY INFORMATION OR DESCRIPTIVE MATTER SET OUT HEREON ARE CONFIDENTIAL AND COPYRIGHT PROPERTY OF THE HARWIN GROUP AND MUST NOT BE DISCLOSED, LOANED, COPIED OR USED FOR MANUFACTURING, TENDERING OR FOR ANY OTHER PURPOSE WITHOUT THEIR WRITTEN PERMISSION.

MATERIAL:
SEE ABOVE

TITLE: **1.25mm GECKO FEMALE VERTICAL THROUGH BOARD CONNECTORS IN TAPE AND REEL**

DRAWING NUMBER:
G125-FVXXX05LOP

SHT
5
OF
6

Customer Information Sheet

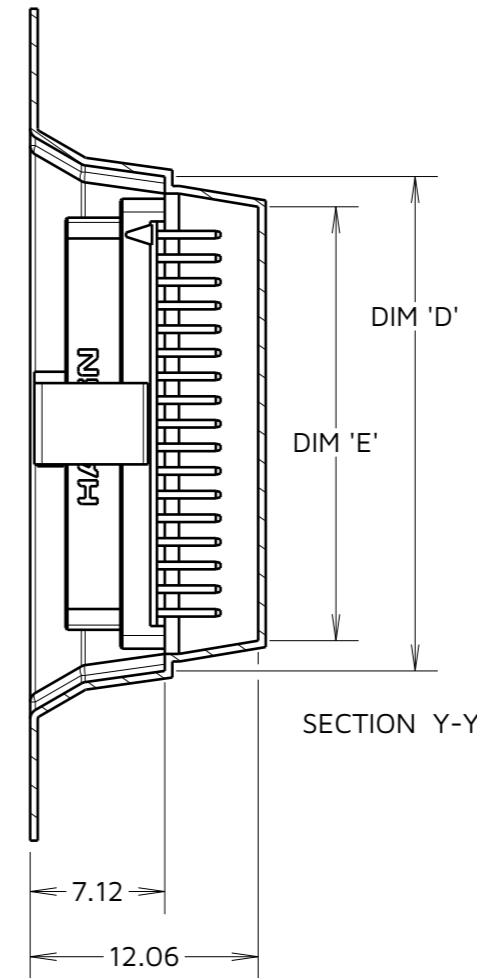
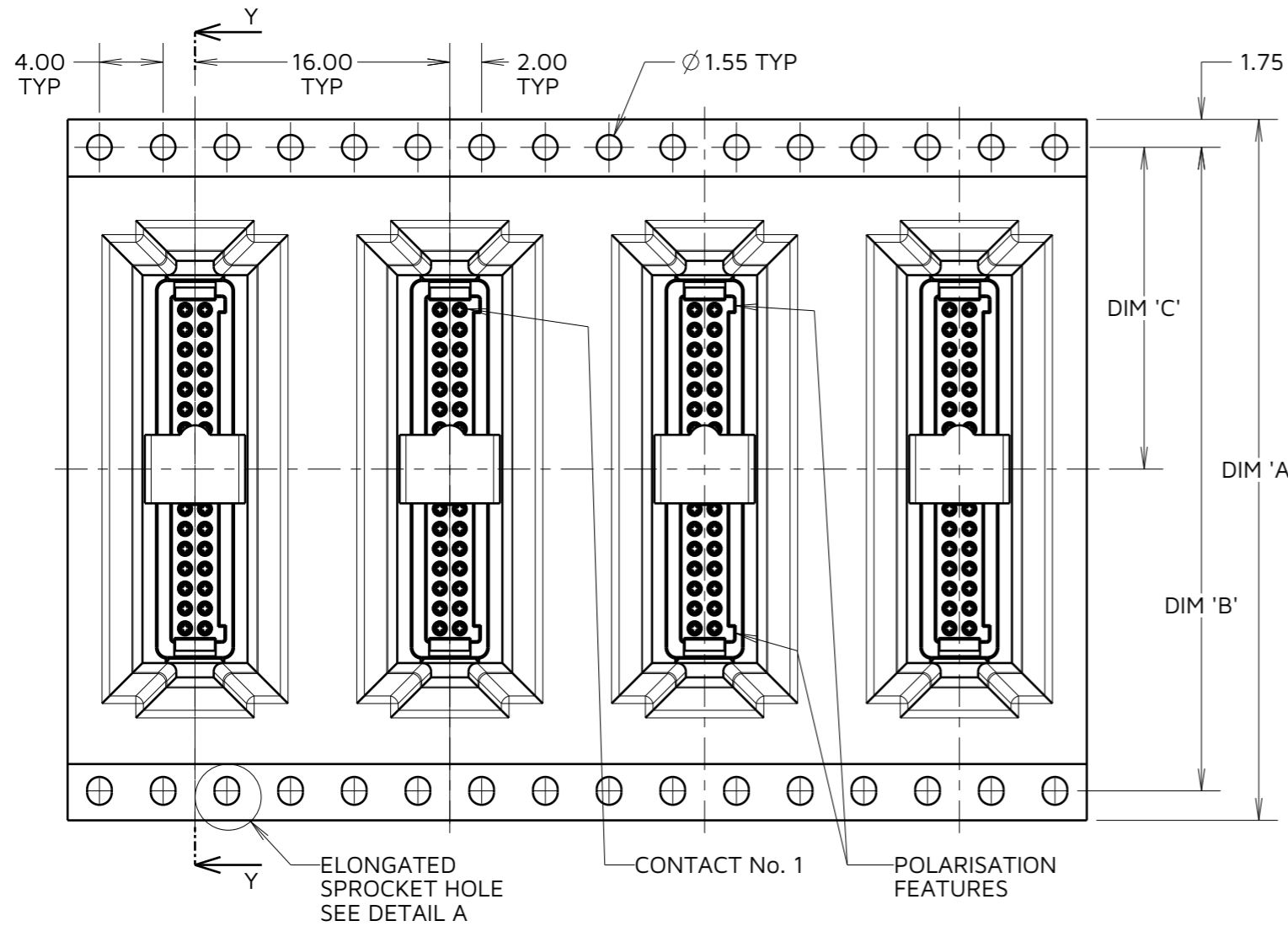
IF IN DOUBT - ASK

©

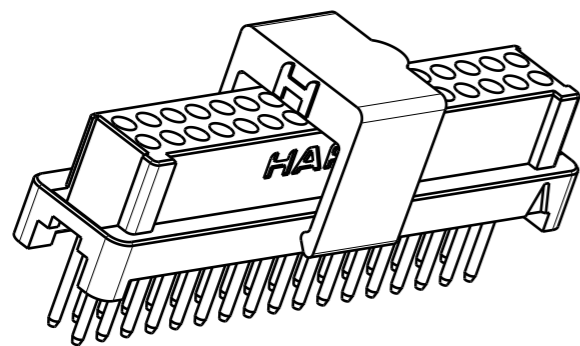
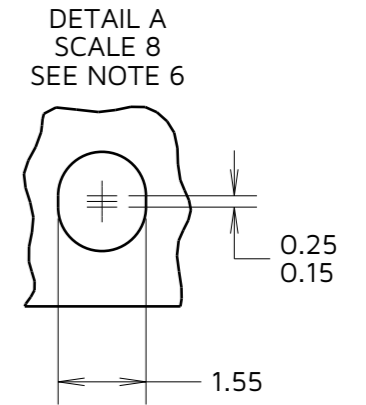
NOT TO SCALE

THIRD ANGLE PROJECTION

ALL DIMENSIONS IN mm



ORDER CODE: **G125-FVXXX05LOP**
 CONTACT STYLE:
 3.00mm PC-TAIL = V1
 4.50mm PC-TAIL = V2
 TOTAL No. OF CONTACTS:
 06, 10, 12, 16, 20, 26, 34, 50



PART No.	DIM 'A'	DIM 'B'	DIM 'C'	DIM 'D'	DIM 'E'
G125-FVX0605LOP	24.0±0.3	NO ELONGATED HOLE	11.50	(8.7)	(5.5)
G125-FVX1005LOP				(11.2)	(8.0)
G125-FVX1205LOP	32.0±0.3	28.40	14.20	(12.4)	(9.2)
G125-FVX1605LOP				(14.9)	(11.7)
G125-FVX2005LOP	44.0±0.3	40.40	20.2±0.15	(17.4)	(14.2)
G125-FVX2605LOP				(21.2)	(18.0)
G125-FVX3405LOP				(26.2)	(23.0)
G125-FVX5005LOP	56.0±0.3	52.40	26.2±0.15	(36.2)	(33.0)

- NOTES:
 1. COMPONENTS ARE ORIENTATED IN TAPE POCKETS AS SHOWN.
 2. COMPONENTS ARE SUPPLIED IN STRIPS OF TAPE. SUPPLIED QUANTITY MAY CONSIST OF MORE THAN ONE STRIP. STRIP LENGTH MAY VARY.
 3. LARGE QTY'S MAY BE SHIPPED ON A REEL AND MAY NOT HAVE A LEADER.
 4. FOR PARTS ON REEL SUITABLE FOR AUTOMATIC MACHINE PLACEMENT PLEASE ORDER: G125-FVXXX05LOR.

MGP	5	26.04.23	32485
NAME	ISS.	DATE	CN/CO
APPROVED: MGP			
CHECKED: RTP			
DRAWN: S.FLOWER			
ASSEMBLY DRG:			

HARWIN

www.harwin.com

TOLERANCES
 X. = ±1mm
 X.X = ±0.50mm
 X.XX = ±0.20mm
 X.XXX = ±0.01mm
 ANGLES = ±5°
 UNLESS STATED

THIS DRAWING AND ANY INFORMATION OR DESCRIPTIVE MATTER SET OUT HEREON ARE CONFIDENTIAL AND COPYRIGHT PROPERTY OF THE HARWIN GROUP AND MUST NOT BE DISCLOSED, LOANED, COPIED OR USED FOR MANUFACTURING, TENDERING OR FOR ANY OTHER PURPOSE WITHOUT THEIR WRITTEN PERMISSION.

MATERIAL:
 SEE ABOVE

TITLE: **1.25mm GECKO FEMALE VERTICAL THROUGH BOARD CONNECTORS IN TAPE AND REEL**

DRAWING NUMBER:
G125-FVXXX05LOP

SHT
 6 OF 6