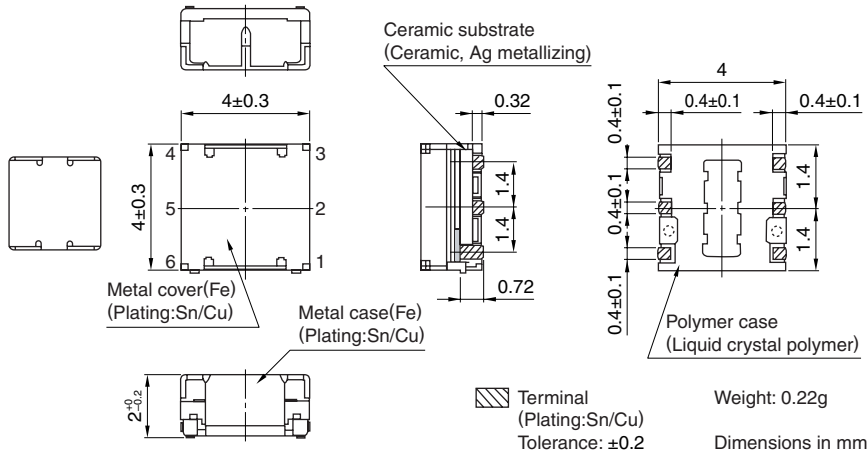


Circulators/Isolators

SMD

CU Series CU454

SHAPES AND DIMENSIONS

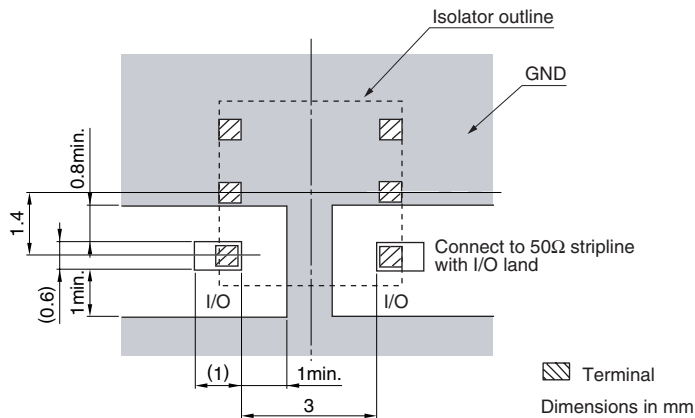


TERMINAL FUNCTIONS

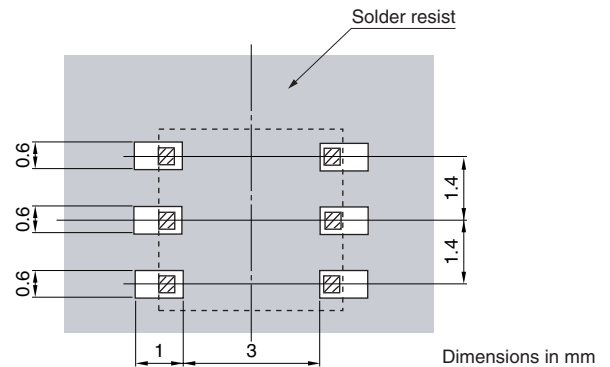
No.	A(CW)	B(CCW)
1	IN	OUT
2	GND	GND
3	GND	GND
4	GND	GND
5	GND	GND
6	OUT	IN

RECOMMENDED PC BOARD PATTERN

LAND



SOLDER RESIST



ELECTRICAL CHARACTERISTICS

CU454□*11F-□*2-1TE1 (4x4x2mm Isolator)

*1 Direction CW-'A' or CCW-'B'

*2 Center frequency

Other frequencies available on your request.

Use	Frequency range (MHz)	Center frequency (MHz)	Isolation (dB) min.	Insertion loss (dB) max.	VSWR max. Z ₀ =50Ω	Handling power (W)	Capacity of built-in resistor (W)	Temperature range (°C)	Weight (g)
DCS	1710 to 1785	1747.5	12	0.6	1.5				
	1805 to 1880	1842.5							
PCS	1850 to 1910	1880	13	0.6	1.5	2.5	0.6*	-35 to +85	0.22
	1930 to 1990	1960							
TD-SCDMA	2010 to 2025	2017.5	13	0.6	1.5				
WCDMA	1920 to 1980	1950	13	0.6	1.5				
	2110 to 2170	2140							

* Bottom surface to be kept below +85°C.