



ANATECH ELECTRONICS INC
RF & Microwave Filters & Products

3000 MHz Strip-Line High Pass Filter

Part Number: AE3000SLH1006



Electrical Specifications

Frequency Range: 3000-12700 MHz

Insertion Loss: 1.5 dB Max

VSWR: 2.0:1 Max

Return Loss: 10 dB Min

Rejection: 40 dB @ DC-2700 MHz

Power Handling: 20 Watts

Mechanical

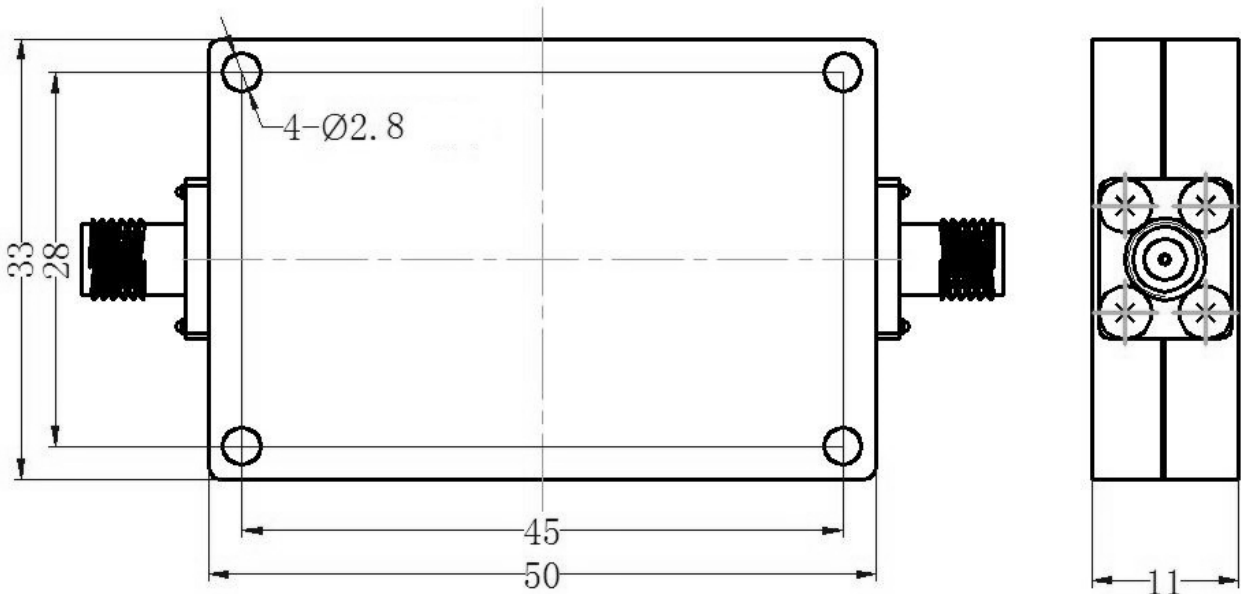
Connector Type: SMA (F)

Dimensions: 50 x 33 x 11 mm

Environmental

Operating Temperature: -40 to +85° C

Outline Drawing:



Tolerance: ± 0.3 .

Dimension: mm