

φ172_{mm}

San Ace 172



General Specifications

- Material Frame: Aluminum, Impeller: Plastics (Flammability: UL94V-1)
- Expected Life Refer to specifications (L10:Survival rate:90% at 60°C ,
rated voltage, and continuously run in a free air state)
- Lead Wire ⊕red ⊖black (Sensor) yellow (Control) brown
- Storage Temperature -30°C to +70°C (Non-condensing)

φ172mm × 150mm × 51mm (Mass : 800g) **9HV type** **Sidecut type**

Specifications

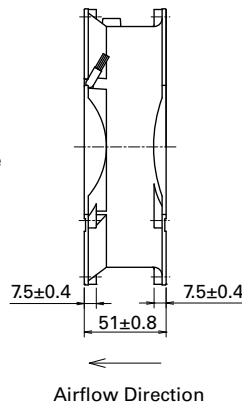
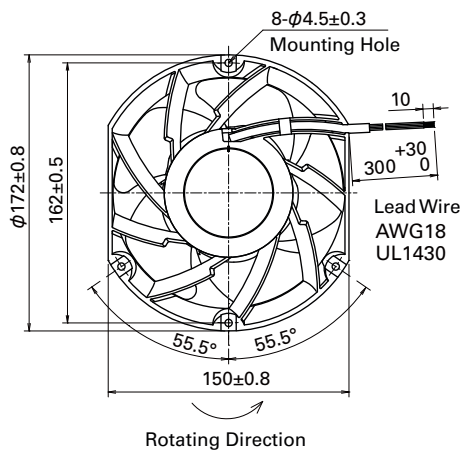
The following nos. **have PWM controls and pulse sensors.**

Model No.	Rated Voltage [V]	Operating Voltage Range [V]	PWM duty cycle ^{Note1)} [%]	Rated Current [A]	Rated Input [W]	Rated Speed [min ⁻¹]	Max. Airflow [m ³ /min] [CFM]	Max. Static Pressure [Pa] [inchH ₂ O]	SPL [dB(A)]	Operating Temperature [°C]	Expected Life [h]
9HV5724P5H001	24	16 to 30	100	5.0	120	8,000	12.3 434	1,000 4.02	77	-20 to +70	40,000/60°C (70,000/40°C)
			20	0.50	12.0	3,000	4.60 162	175 0.70	51		
9HV5748P5G001	48	36 to 72	100	5.0	240	10,500	16.1 568	1,600 6.43	83		
			20	0.41	19.7	3,700	5.60 198	250 1.01	57		

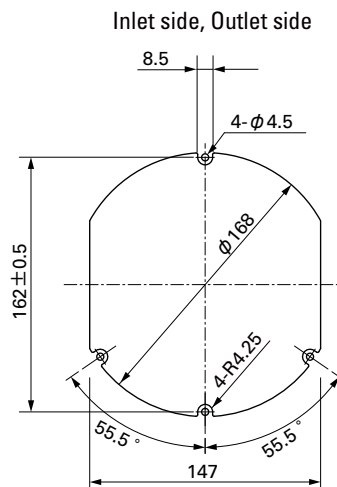
Note: Fan does not rotate when PWM duty cycle is 0%.

※PWM Frequency : 25kHz

Dimensions (unit: mm)



Reference Dimensions of Mounting Holes and Vent Opening (unit: mm)

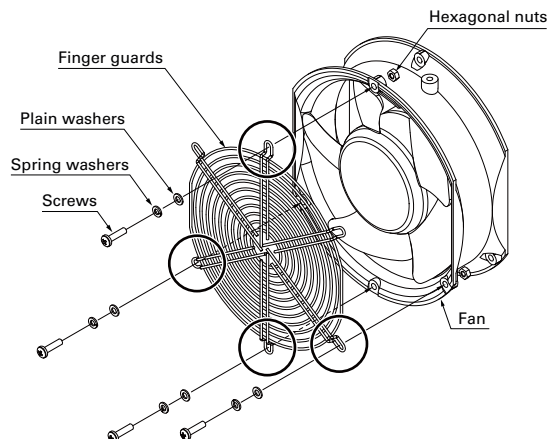
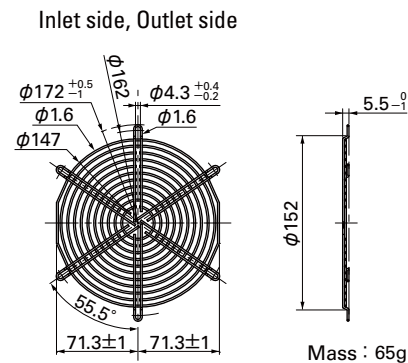


Options (unit: mm)

Finger Guards

Model : 109-319J Surface treatment : Nickel-chrome plating (silver) Color

For the finger guard Model: 109-319J, fix the finger guard to four holes as shown in the diagram.



Options (unit: mm)

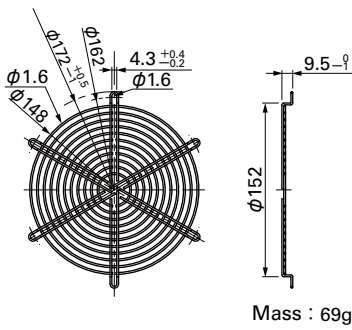
Finger Guards

Model : 109-319E Surface treatment : Nickel-chrome plating (silver)
 : 109-319H : Cation electropainting (black)

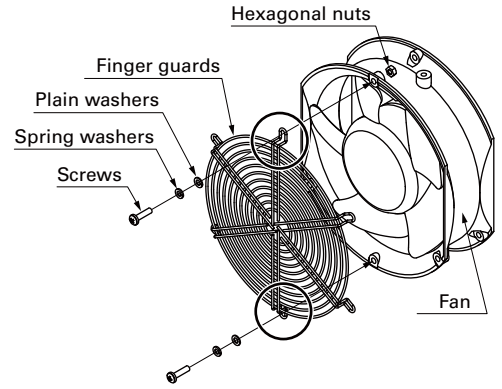
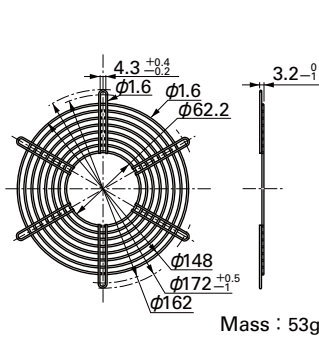
Model : 109-320 Surface treatment : Nickel-chrome plating (silver)

For the finger guard Model: 109-319E, 109-319H, 109-320, fix the finger guard to two holes as shown in the diagram. Do not fix it to any other holes.

Inlet side, Outlet side

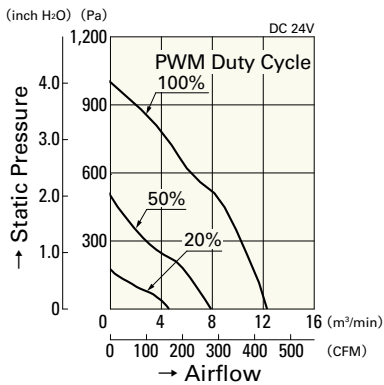


Outlet side

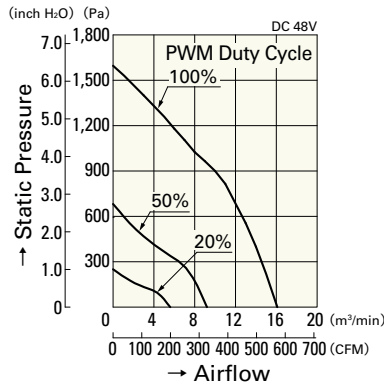


Airflow - Static Pressure Characteristics

PWM Duty Cycle

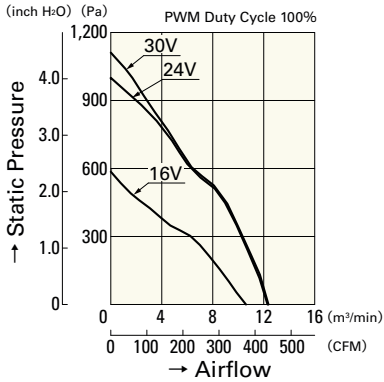


9HV5724P5H001

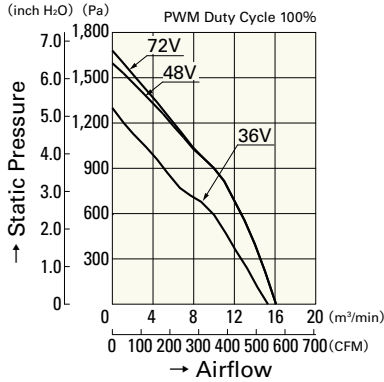


9HV5748P5G001

Operating Voltage Range

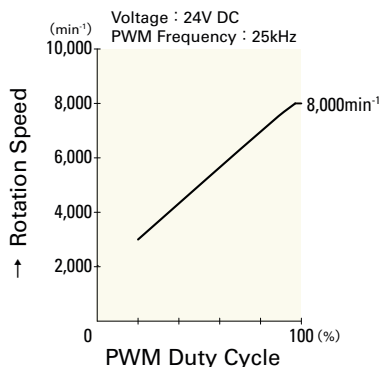


9HV5724P5H001

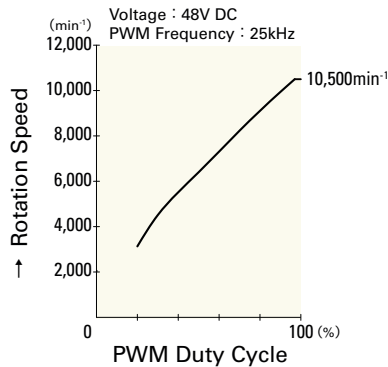


9HV5748P5G001

PWM Duty - Speed Characteristics Example



9HV5724P5H001



9HV5748P5G001