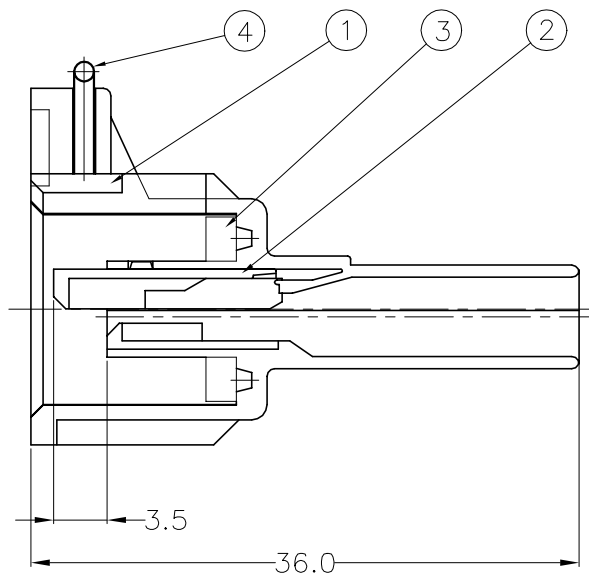
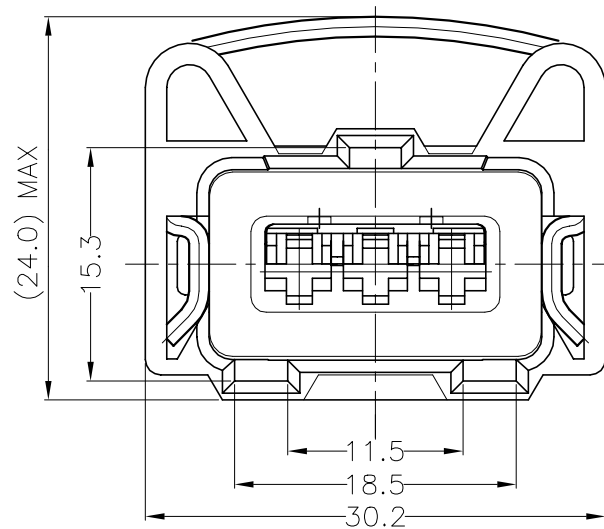
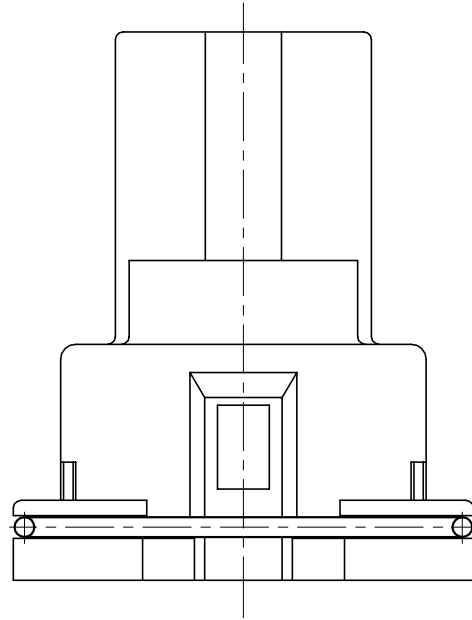


REVISIONS

P	LTR	DESCRIPTION	DATE	DWN	APVD
	C1	REVISED	ECR-20-006447	31AUG2020	PSJ SPB



\* NOTES \*

1. APPLICABLE CONTACT P/N : 927770 / 927766
2. APPLICABLE WIRE SEAL P/N : 828904/828905/368064
3. APPLICABLE PRODUCT SPEC : 108-61000

NO	P/N	DESCRIPTION	MATERIAL	COLOR	REQUIRED QTY
4	85388-1	↑ SPRING	SUS 304		1
3	85384-1	↑ SEAL RUBBER	SILICONE	ORANGE	1
2	85207-1	↑ SPACER	PBT	YELLOW	1
1	ⓑ 85197-3	Jr POWER TIMER 3P HSG 'R' TYPE	PBT 30% GF	BLUE	1
1	85197-2	Jr POWER TIMER 3P HSG 'R' TYPE	PBT 30% GF	DARK GRAY	1
1	85197-1	Jr POWER TIMER 3P HSG 'R' TYPE	PBT 30% GF	BLACK	1

P/N	DESCRIPTION
85196-1	Jr POWER TIMER 3P ASS'Y
85196-2	Jr POWER TIMER 3P ASS'Y
85196-3	Jr POWER TIMER 3P ASS'Y

OBSOLETE

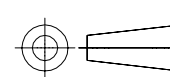
THIS DRAWING IS A CONTROLLED DOCUMENT.

DWN YD LEE  
 CHK BM JANG  
 APVD CS LEE  
 PRODUCT SPEC  
 APPLICATION SPEC



NAME JPT 3P ASS'Y (REVERSE TYPE)

TOLERANCES UNLESS OTHERWISE SPECIFIED:  
 0 <XX<10 ± 0.2  
 10<XX<30 ± 0.25  
 30<XX ± 0.3  
 ANGLES ± 3'



TOLERANCES UNLESS OTHERWISE SPECIFIED:  
 0 PLC ± -  
 1 PLC ± -  
 2 PLC ± -  
 3 PLC ± -  
 4 PLC ± -  
 ANGLES ± -

MATERIAL - FINISH -

WEIGHT 6.2 g

SIZE A3 CAGE CODE 00779 DRAWING NO C-85196

RESTRICTED TO -

CUSTOMER DRAWING SCALE FREE SHEET 1 of 1 REV C1