

THIS DRAWING IS UNPUBLISHED.

RELEASED FOR PUBLICATION

ALL RIGHTS RESERVED.

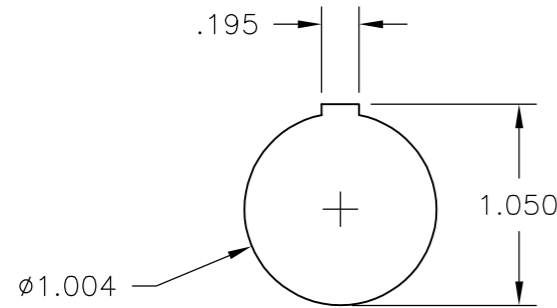
© COPYRIGHT - By -

REVISIONS

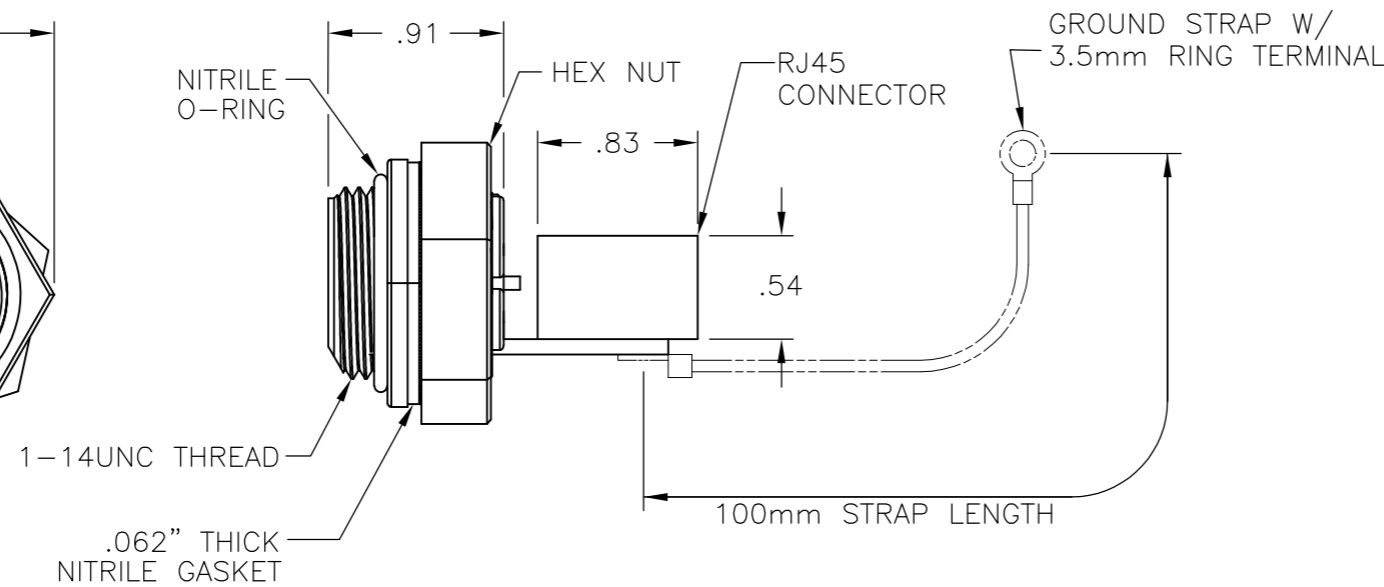
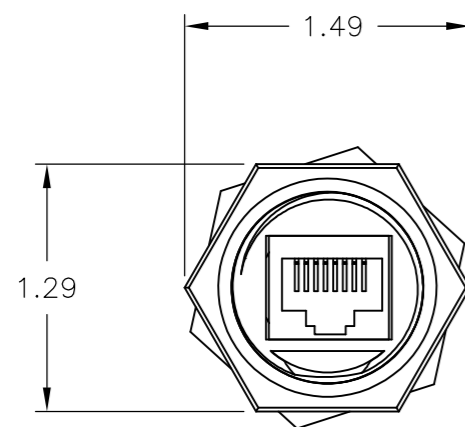
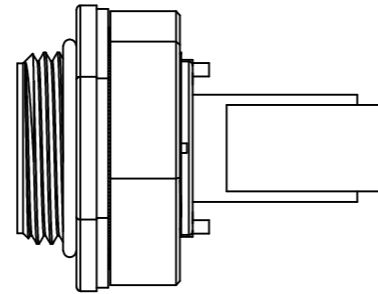
P	LTR	DESCRIPTION	DATE	DWN	APVD
	C3	CONTACT GOLD FINISH THICKNESS CORRECTED FROM 50µm TO 30µm AND OVERMOLD MATERIAL NOTE IS REMOVED.	26MAY2017	TJ	NG

NOTES:

- ENVIRONMENTAL SPECIFICATIONS:  
OPERATING TEMPERATURE: -20°C TO 80°C  
IEC IP67 COMPLIANT
- ELECTRICAL SPECIFICATIONS:  
TIA/EIA RATING: CAT 5E  
CURRENT RATING: 1.5A  
VOLTAGE RATING: 125 V DC  
RETURN LOSS: 5 dB AT 100 MHz
- PHYSICAL SPECIFICATIONS:  
O-RING MATERIAL: VITON  
INSERT MATERIAL: ABS  
COUPLING NUT MATERIAL: ABS  
SHELL MATERIAL: ABS  
PANEL THICKNESS: .125" MAX WITH GASKET  
.187" MAX WITHOUT GASKET  
.062" MIN  
CONTACT FINISH: 30µm OF GOLD OVER 100µm OF NICKEL
- SIZE OF SOLDER FILLET FROM THE SHIELD GROUND MAY VARY.



BACKEND DIMS. OF RECEPTACLE



OBSOLETE	YES	1546413-4
	NO	1546413-3
SUPERSEDED	YES	1546413-2
SUPERSEDED	NO	1546413-1
	GROUND STRAP	PART NO.

STANDARD RJ45 PIN LAYOUT	
1 TO 1	
2 TO 2	
3 TO 3	
4 TO 4	
5 TO 5	
6 TO 6	
7 TO 7	
8 TO 8	

THIS DRAWING IS A CONTROLLED DOCUMENT.		DWN S SCHLEGEL 09OCT2002	<b>STE</b> TE Connectivity	
DIMENSIONS: INCHES		CHK H WAKEEM 10/9/02		
TOLERANCES UNLESS OTHERWISE SPECIFIED:		APVD H WAKEEM 10/9/02	NAME	
0 PLC ± -		PRODUCT SPEC	RJ-45 BULKHEAD PASS THROUGH WITH BACKSIDE JACK	
1 PLC ± -		APPLICATION SPEC	-	
2 PLC ± .02		WEIGHT	SIZE	CAGE CODE
3 PLC ± .005		CUSTOMER DRAWING	A3	00779
4 PLC ± -			DRAWING NO	C=
ANGLES ± 2°		RESTRICTED TO	-	
MATERIAL REFER NOTES	FINISH REFER NOTES	SCALE	SHEET	REV
		NTS	1 OF 1	C3