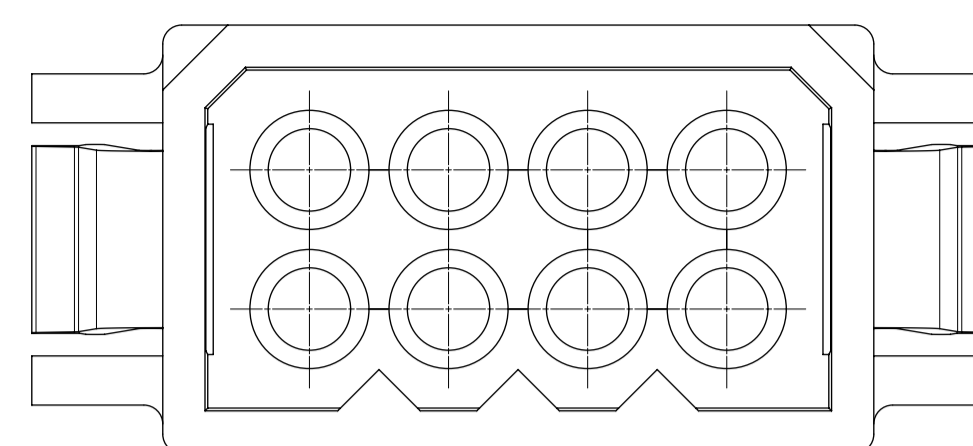
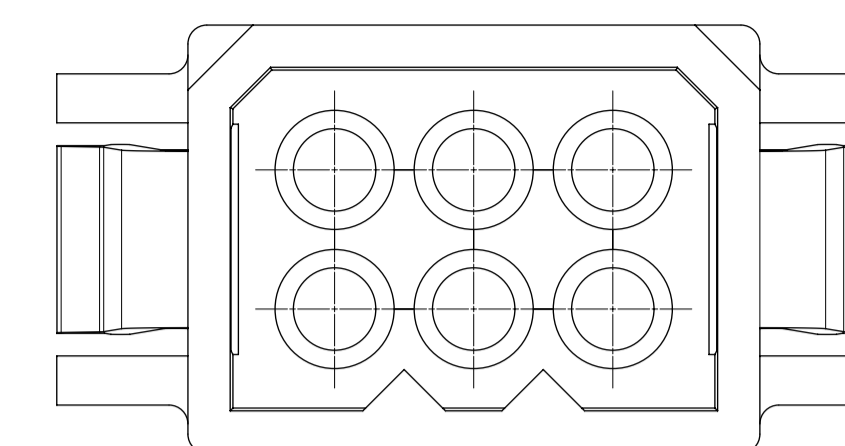


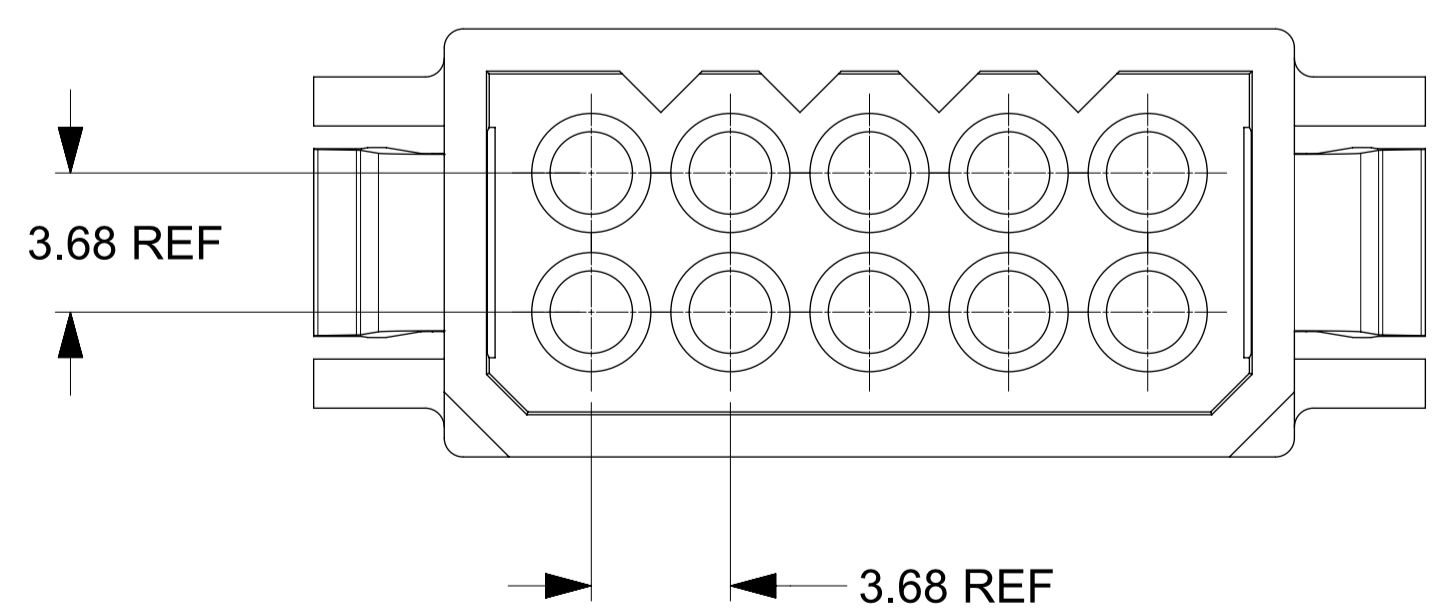
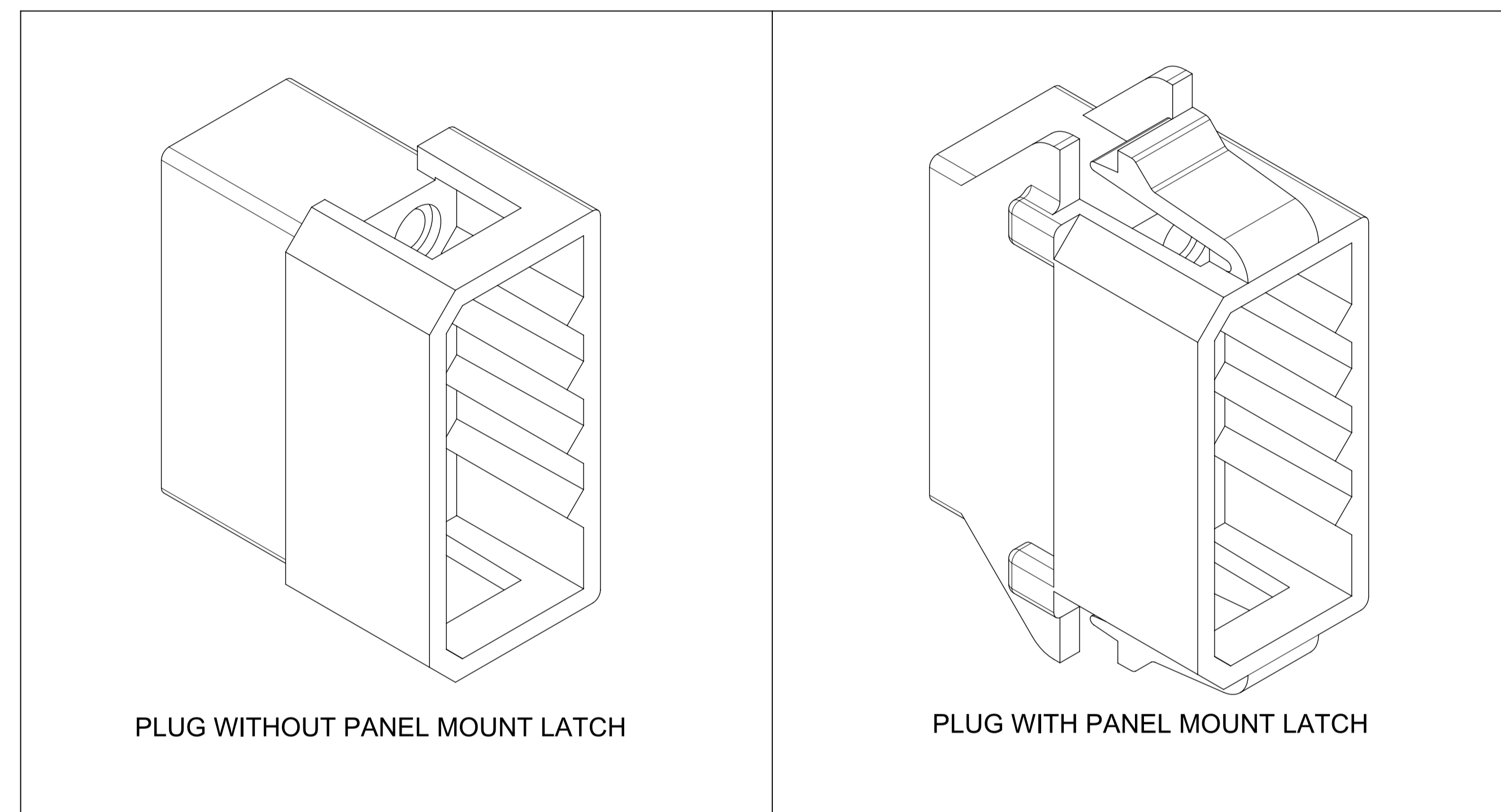
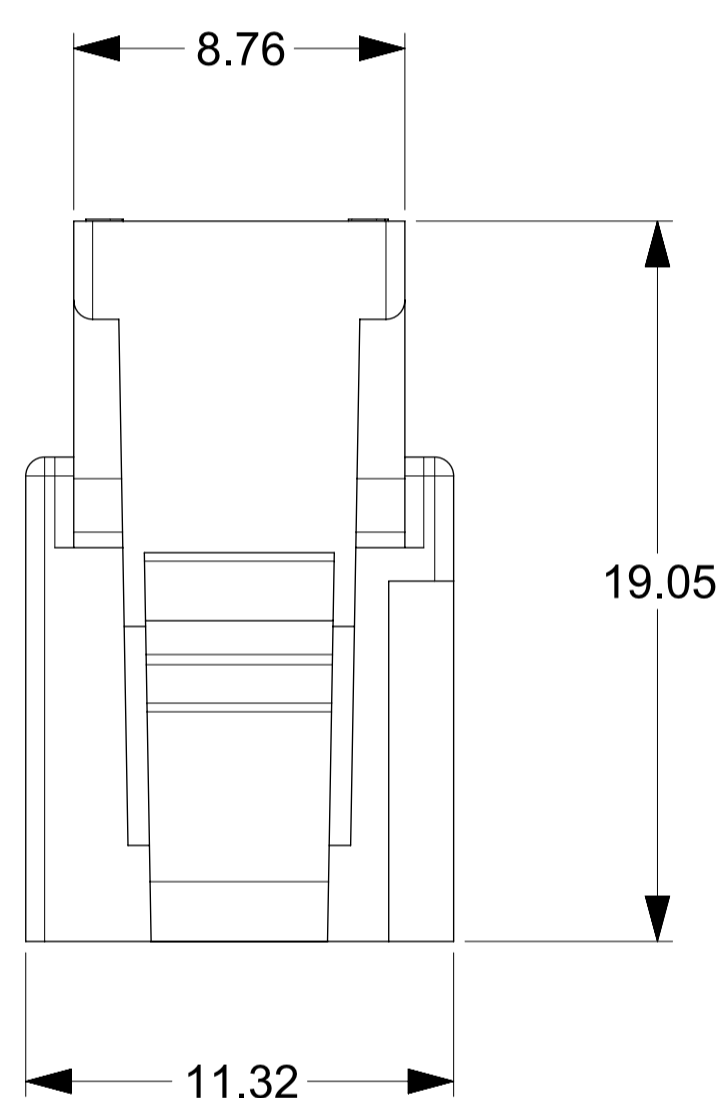
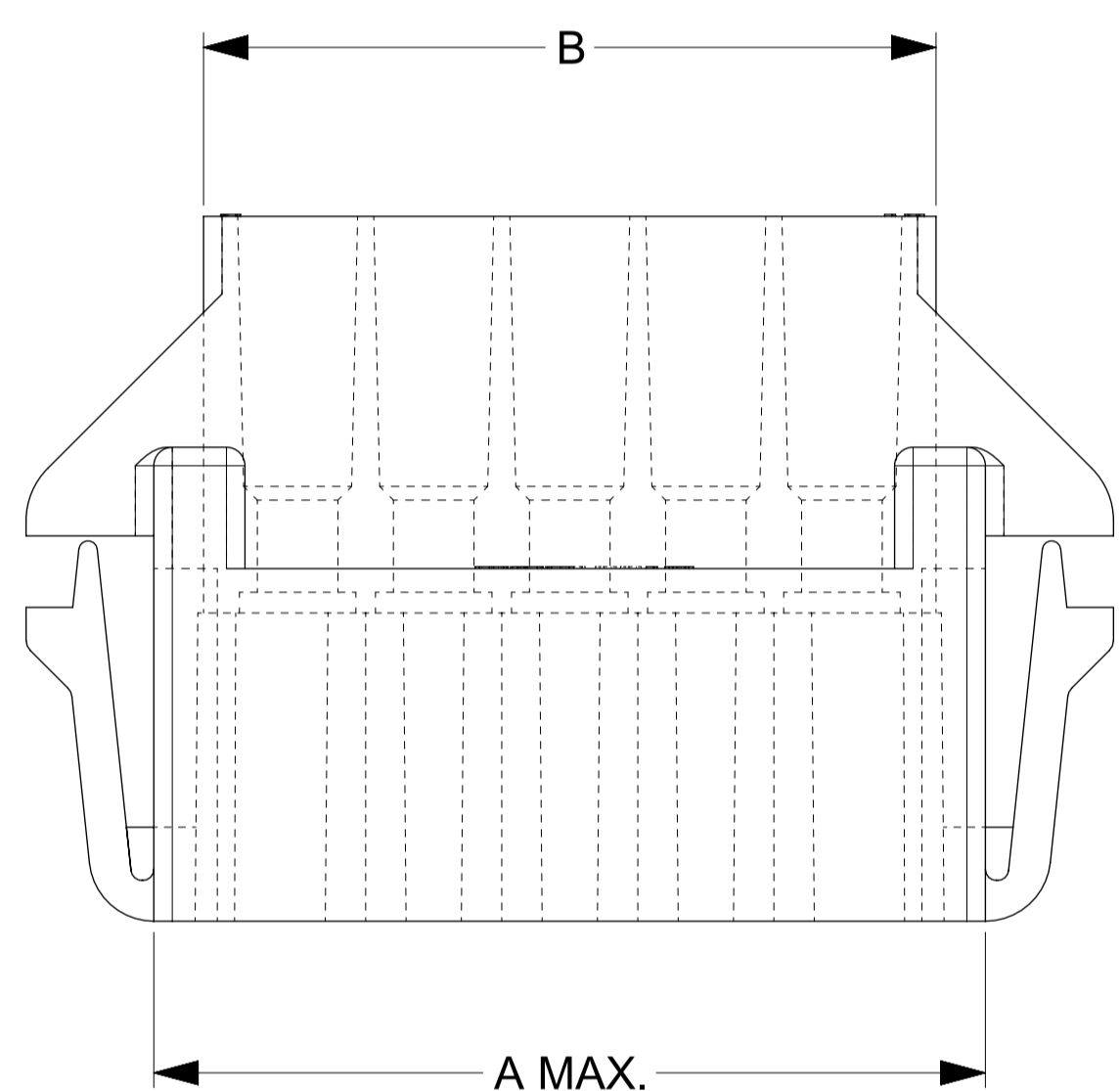
1501772100
10 CIRCUIT



1501772080
8 CIRCUIT



1501772060
6 CIRCUIT



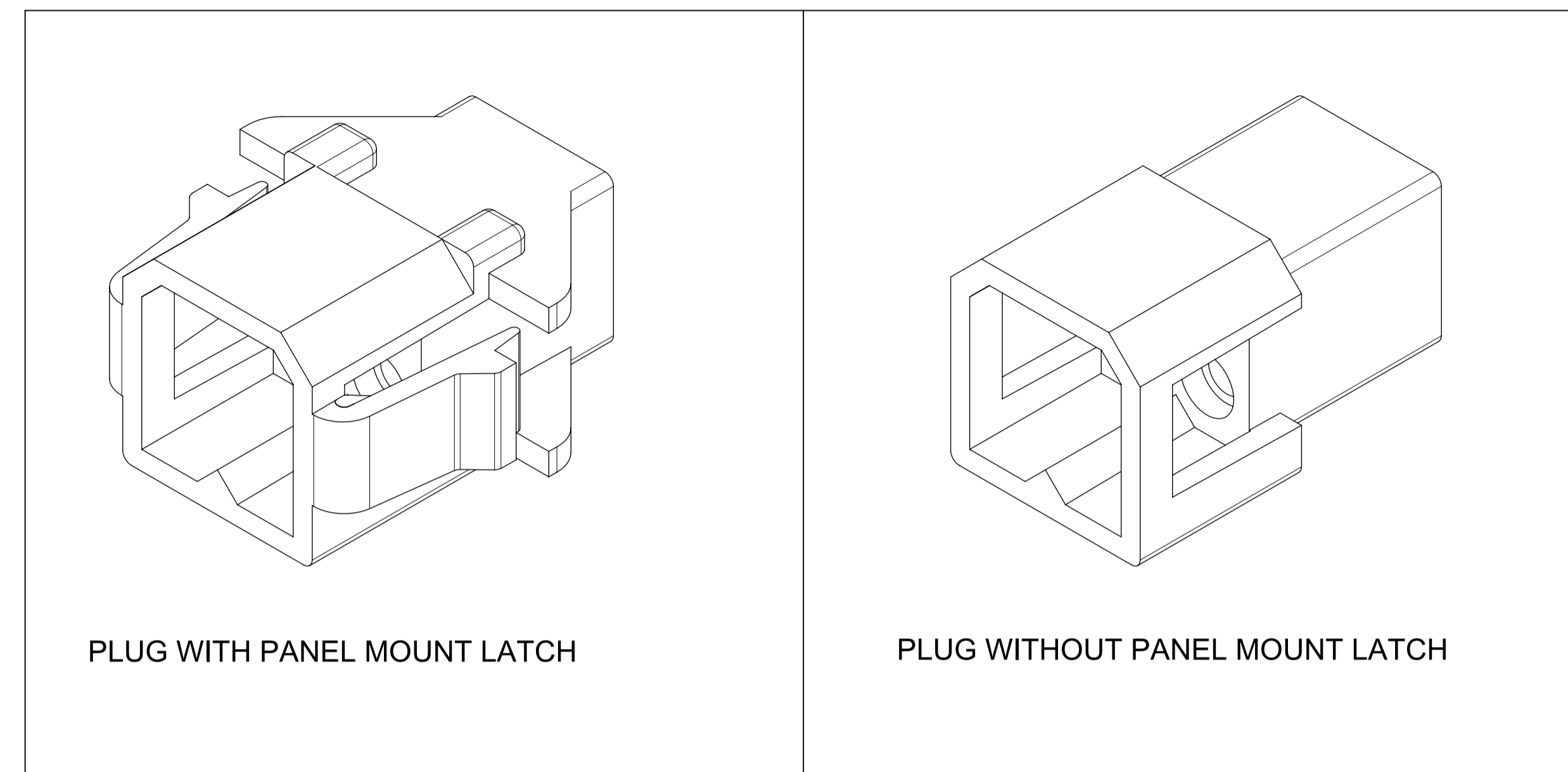
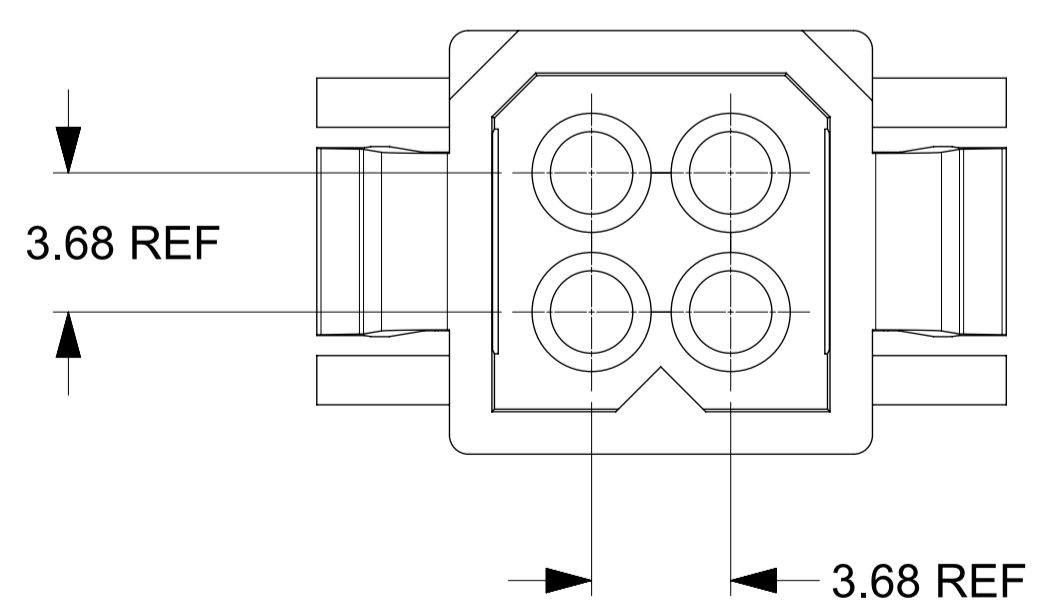
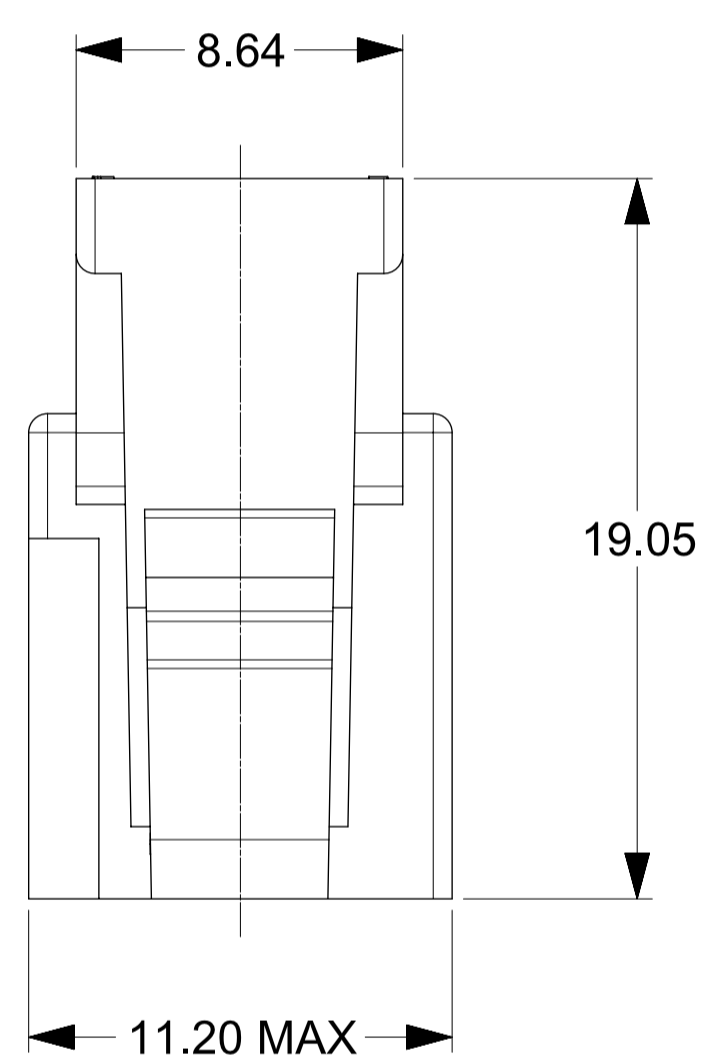
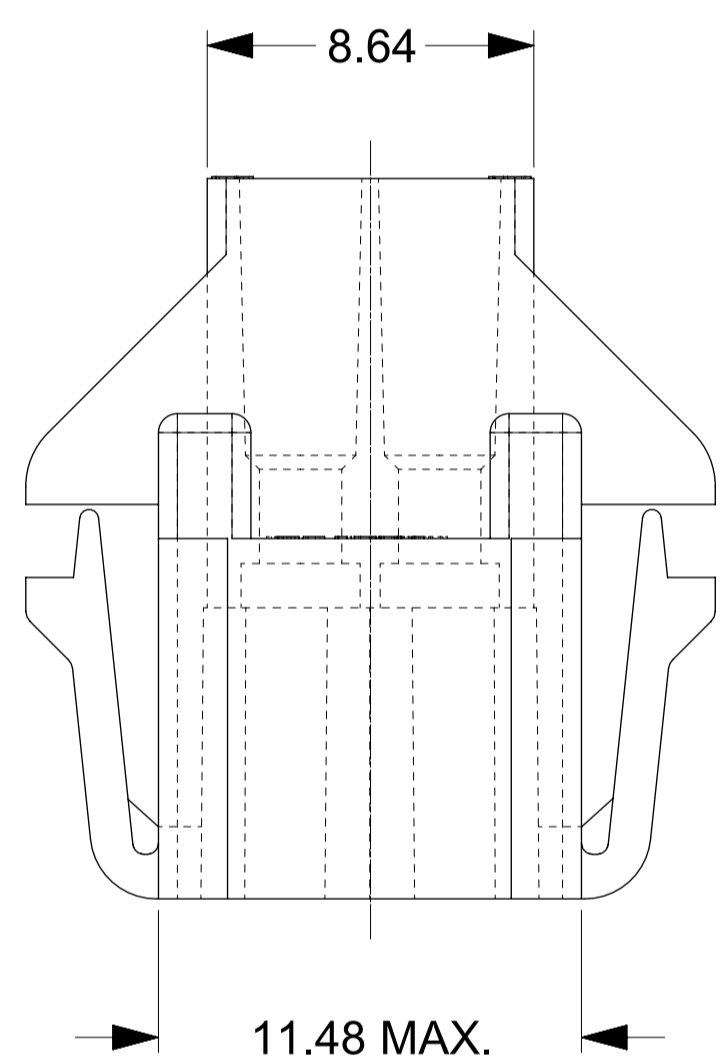
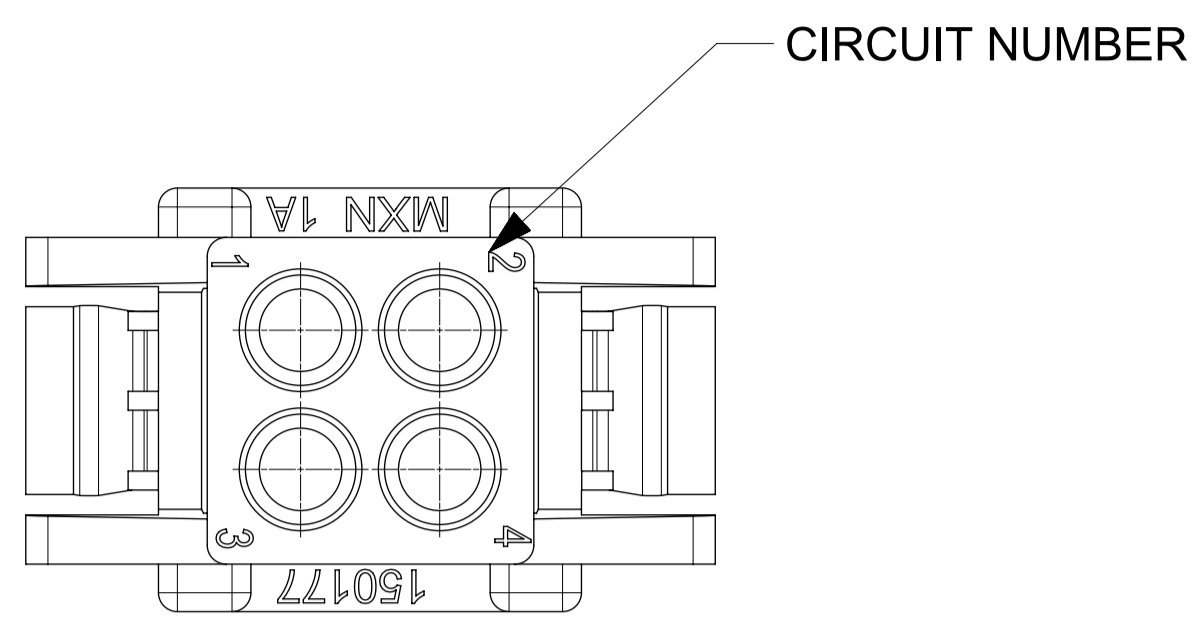
LEGEND

1 5 0 1 7 7 * * * *

NO. OF ROWS ——— *
CIRCUIT SIZE ——— *
0- WITH PANEL MOUNT LATCH ——— *
1- WITHOUT PANEL MOUNT LATCH ——— *

SL NO.	PART NUMBER	DESCRIPTION	DIM 'A' MAX	DIM B
1	1501772060	6 CKT DUAL ROW WITH PANEL MOUNT LATCH	15.44	12.45
2	1501772061	6 CKT DUAL ROW WITHOUT PANEL MOUNT LATCH		
3	1501772080	8 CKT DUAL ROW WITH PANEL MOUNT LATCH	19.12	16.13
4	1501772081	8 CKT DUAL ROW WITHOUT PANEL MOUNT LATCH		
5	1501772100	10 CKT DUAL ROW WITH PANEL MOUNT LATCH	22.80	19.81
6	1501772101	10 CKT DUAL ROW WITHOUT PANEL MOUNT LATCH		

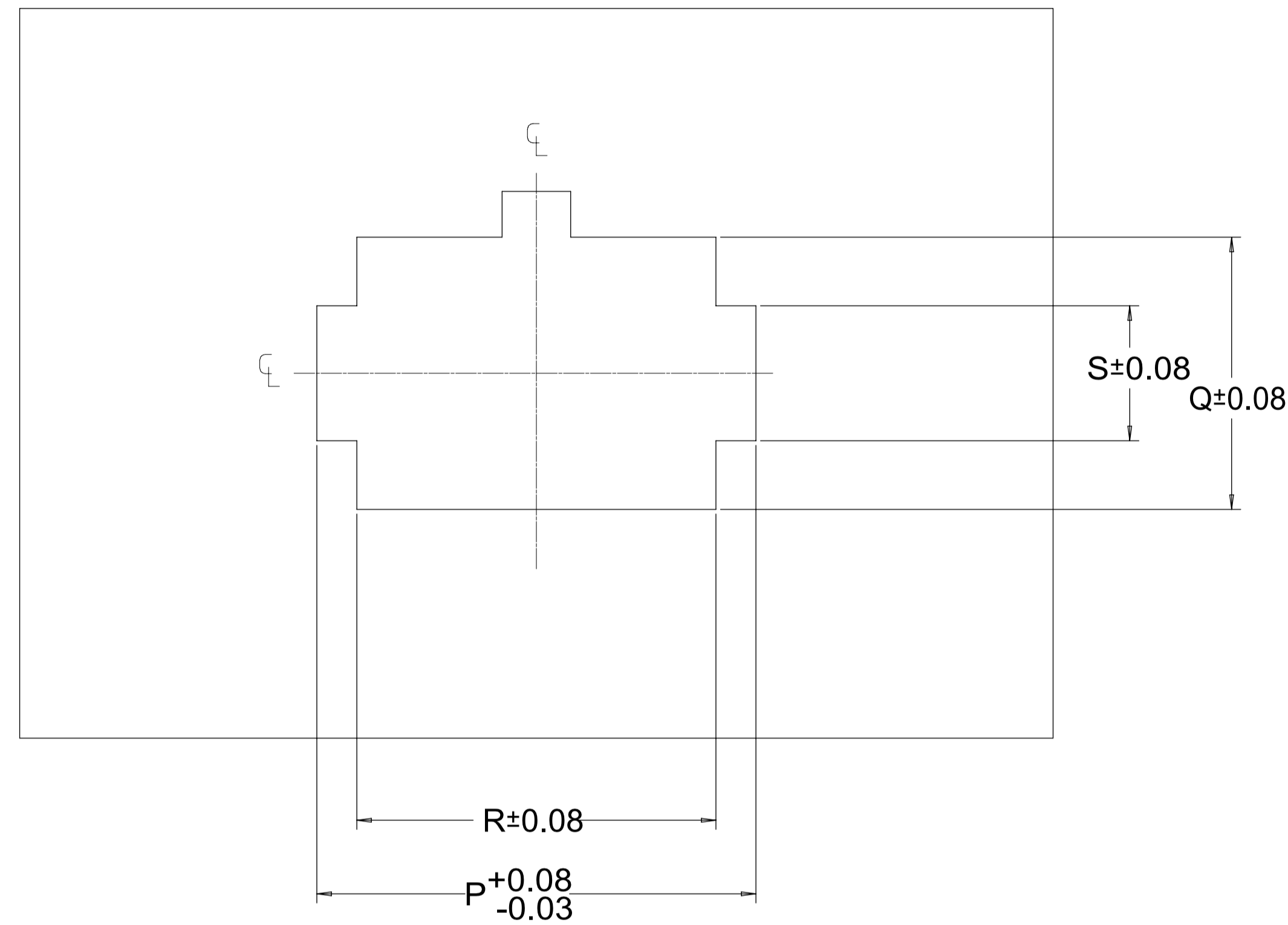
FUNCTIONAL SYMBOLS FA = 0 FE = 0 FP = 0	THIS DRAWING CONTAINS INFORMATION THAT IS PROPRIETARY TO MOLEX ELECTRONIC TECHNOLOGIES, LLC AND SHOULD NOT BE USED WITHOUT WRITTEN PERMISSION	SCALE 5:1	CURRENT REV DESC: DESCRIPTION UPDATED		molex
	DIMENSION UNITS	GENERAL TOLERANCES (UNLESS SPECIFIED)	EC NO: 647195 DRWN: PRADEA 2020/10/09 CHK'D: NCSR 2020/10/19 APPR: NCSR 2020/10/19		
DIVISIONAL SYMBOLS	ANGULAR TOL ± 1.0°	4 PLACES ±	INITIAL REVISION: DRWN: GES 2014/10/08 APPR:		PRODUCT CUSTOMER DRAWING
	3 PLACES ±	2 PLACES ± 0.25			DOCUMENT NUMBER
	1 PLACE ± 0.35	0 PLACES ±			SD-150177-001
	DRAFT WHERE APPLICABLE MUST REMAIN WITHIN DIMENSIONS	THIRD ANGLE PROJECTION	DRAWING	SERIES	DOC TYPE DOC PART REVISION
			A1-SIZE	150177	PSD 000 B1
			SEE TABLE	GENERAL MARKET	SHEET NUMBER
					1 OF 3



SL NO.	PART NUMBER	DESCRIPTION
1	1501772040	4 CKT DUAL ROW WITH PANEL MOUNT LATCH
2	1501772041	4 CKT DUAL ROW WITHOUT PANEL MOUNT LATCH

FUNCTIONAL SYMBOLS $\frac{F}{A} = 0$ $\frac{F}{C} = 0$ $\frac{F}{P} = 0$	THIS DRAWING CONTAINS INFORMATION THAT IS PROPRIETARY TO MOLEX ELECTRONIC TECHNOLOGIES, LLC AND SHOULD NOT BE USED WITHOUT WRITTEN PERMISSION DIMENSION UNITS: SCALE: 5:1	CURRENT REV DESC: DESCRIPTION UPDATED EC NO: 647195 DRWN: PRADEA 2020/10/09 CHK'D: NCSR 2020/10/19 APPR: NCSR 2020/10/19			
	GENERAL TOLERANCES (UNLESS SPECIFIED) ANGULAR TOL $\pm 1.0^\circ$ 4 PLACES \pm 3 PLACES \pm 2 PLACES ± 0.25 1 PLACE ± 0.35 0 PLACES \pm	INITIAL REVISION: DRWN: GES 2014/10/08 APPR:	DOCUMENT NUMBER: SD-150177-001 DOC TYPE: PSD DOC PART: 000 REVISION: B1	STANDARD .062"+ PLUG HOUSING DUAL ROW PRODUCT CUSTOMER DRAWING	
DIVISIONAL SYMBOLS DRAFT WHERE APPLICABLE MUST REMAIN WITHIN DIMENSIONS	THIRD ANGLE PROJECTION 	DRAWING: A1-SIZE SERIES: 150177	MATERIAL NUMBER: SEE TABLE CUSTOMER: GENERAL MARKET	SHEET NUMBER: 2 OF 3	

SL NO.	PART NUMBER	DESCRIPTION	DIM P	DIM Q	DIM R	DIM S
1	1501772040	4 CKT DUAL ROW	15.64	11.70	11.69	5.82
2	1501772060	6 CKT DUAL ROW	19.45	11.82	15.63	5.82
3	1501772080	8 CKT DUAL ROW	23.13	11.82	19.31	5.82
4	1501772100	10 CKT DUAL ROW	26.81	11.82	22.99	5.82



RECOMMENDED PANEL CUT-OUT LAYOUT
PANEL THICKNESS-1.50 mm Max.

NOTES:

- 1) MATERIAL : NYLON 66,94V-2 AND COLOR:NATURAL
- 2) PRODUCT SPECIFICATION: 1501760001-PS
- 3) PACKAGING SPECS: PK-150176-001
- 4) THIS PART CONFORMS TO CLASS B REQUIREMENTS OF COSMETIC SPEC PS-45499-002.
- 5) THIS PART CONFORMS TO MOISTURIZING SPECIFICATIONS OF NYLON PARTS REFER AS-45499-001
- 6) PARTS ACCEPT TERMINAL SERIES 150180.
- 7) THIS PARTS MATES WITH SERIES 150179

FUNCTIONAL SYMBOLS FA = 0 FC = 0 FP = 0	THIS DRAWING CONTAINS INFORMATION THAT IS PROPRIETARY TO MOLEX ELECTRONIC TECHNOLOGIES, LLC AND SHOULD NOT BE USED WITHOUT WRITTEN PERMISSION		CURRENT REV DESC: DESCRIPTION UPDATED				
	DIMENSION UNITS	SCALE	EC NO: 647195				
DIVISIONAL SYMBOLS	GENERAL TOLERANCES (UNLESS SPECIFIED)		DRWN: PRADEA 2020/10/09		PRODUCT CUSTOMER DRAWING		
	ANGULAR TOL ± 1.0°		CHK'D: NCSR 2020/10/19		DOCUMENT NUMBER		
	4 PLACES ±	APPR: NCSR 2020/10/19		SD-150177-001		DOC TYPE	DOC PART
	3 PLACES ±	INITIAL REVISION:		PSD 000		REVISION	
	2 PLACES ± 0.25	DRWN: GES 2014/10/08		B1			
1 PLACE ± 0.35	APPR:						
0 PLACES ±	DRAFT WHERE APPLICABLE MUST REMAIN WITHIN DIMENSIONS		THIRD ANGLE PROJECTION	DRAWING	SERIES	MATERIAL NUMBER	CUSTOMER
				A1-SIZE	150177	SEE TABLE	GENERAL MARKET
							SHEET NUMBER
							3 OF 3