

REVISIONS				
P	LTR	DESCRIPTION	DATE	APVD
	A1	2-963748-2 is Discontinued	15JUL2016	JJH Merz


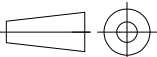
CUSTOMER DRAWING  
FOR PN 963748  
SEE 1355052

RELEASED FOR PUBLICATION  
FREI FÜR VERÖFFENTLICHUNG  
ALL RIGHTS RESERVED.

THIS DRAWING IS UNPUBLISHED.  
VERTRAULICHE UNVERÖFFENTLICHTE ZEICHNUNG.

© COPYRIGHT -- By --

A1	OBSOLETE	2-963748-3	FOR CURRENT REVISION SEE STRIP-DRW.
		2-963748-2	
		2-963748-1	
		1-963748-3	
		1-963748-2	
		1-963748-1	
		LP NO	REV

DIMENSIONS: MASSENEHTEINHEITEN mm	DWN	7JUN2005	MATERIAL	-	FINISH OBERFLÄCHE/FARBE	-			
	CHK	-	 TE Connectivity						
TOLERANCES UNLESS OTHERWISE SPECIFIED: ALLGEMEINTOLERANZEN	APVD	7JUN2005					NAME	TAB 2.8x0.8 mm	
	0 PLC ± - <small>P: ISO 8015 - mH - E</small> 1 PLC ± - <small>P: ISO 2768</small> 2 PLC ± - <small>P: DIN 16901 - 140</small> 3 PLC ± - 4 PLC ± - ANGLES/WINKEL ± -	PRODUCT SPEC PRODUKTSPEZ. -	APPLICATION SPEC VERARBEITUNGSSPEZ. -	SIZE A4	CAGE CODE 00779	DRAWING NO ZEICHNUNGS-NR. C-963748	RESTRICTED TO NUR FÜR -		
	WEIGHT GEWICHT	0.000000	CUSTOMER DRAWING / KUNDENZEICHNUNG				SCALE MASSSTAB -	SHEET BLATT 1 OF 1	REV A1