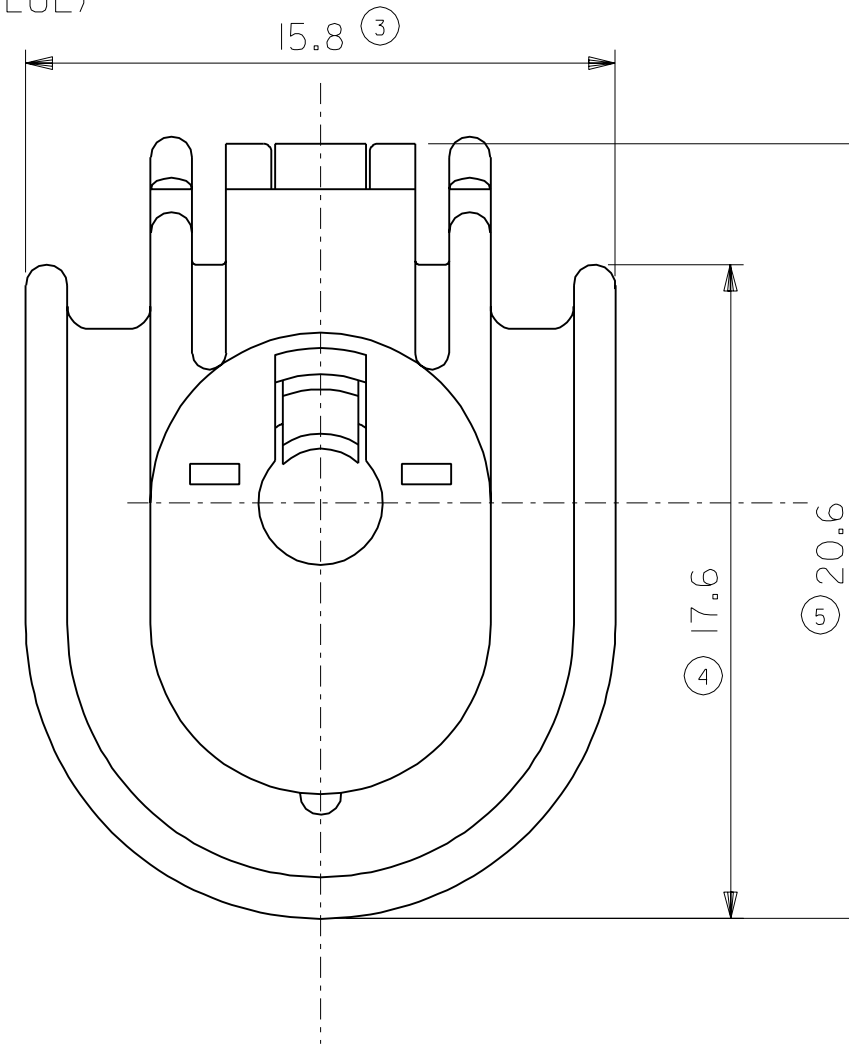
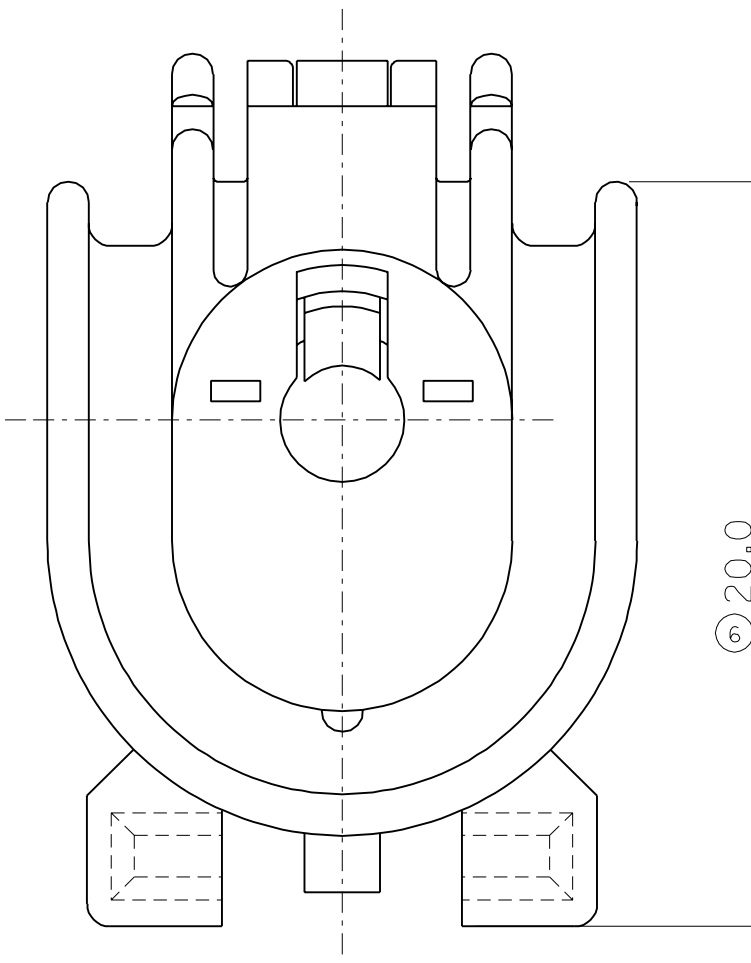


2 SPACER
1ST STOP POSITION
(COLOR BLUE)



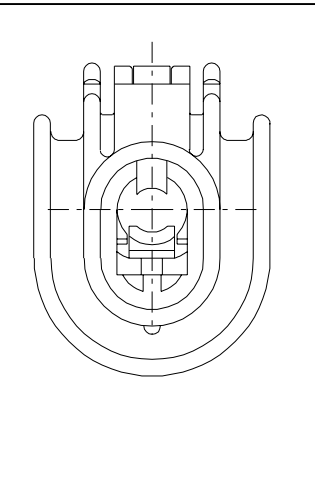
VERSION WITHOUT MOUNTING-CLIP



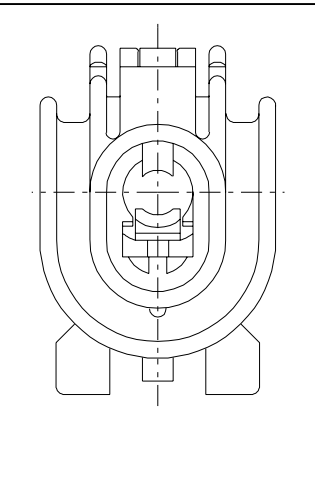
VERSION WITH MOUNTING-CLIP

MATERIAL: 1 PBTP 30% GV
2 PBTP 30% GV
5 SILICON RUBBER

COLOR	FARBE	RAL	MOLEX-NO.
BLACK	SCHWARZ	9005	98016-0001
BROWN	BRAUN	8017	98016-0002
BLUE	BLAU	5015	98016-0003
GREEN	GRUEN	6001	98016-0004
YELLOW	GELB	1018	98016-0005
GREY	GRAU	7035	98016-0006
ORANGE	ORANGE	1007	98016-0007
NATURAL	NATUR	-	98016-0008



COLOR	FARBE	RAL	MOLEX-NO.
BLACK	SCHWARZ	9005	98016-0011
BROWN	BRAUN	8017	98016-0012
BLUE	BLAU	5015	98016-0013
GREEN	GRUEN	6001	98016-0014
YELLOW	GELB	1018	98016-0015
GREY	GRAU	7035	98016-0016
ORANGE	ORANGE	1007	98016-0017
NATURAL	NATUR	-	98016-0018



MOLEX - CODE (ANY No.)

XXXXX - X X X X

- I-8 COLOR
- 0=WITHOUT CLIP
I=WITH CLIP
- 0=HOUSING WITH SPACER
I=HOUSING WITHOUT SPACER
- BASIC PART - NO.

FOR PREVIOUS
DRAWING ISSUES
SEE "EDIS"

ECN MXC 2678 NME 22.09.97	LTR REVISIONS	THIRD ANGLE PROJECTION	REVISE ONLY ON CAD SYSTEM	SH.	REV.
		DIMENSIONS SHOWN (METRIC) INCH UNLESS OTHERWISE SPECIFIED TOLERANCES: ANGULAR * INCH (METRIC)	CAD/CAM FILENAME SDA98016 DGN	THIS DRAWING CONTAINS INFORMATION THAT IS PROPRIETARY TO MOLEX INC. & SHOULD NOT BE USED WITHOUT WRITTEN PERMISSION	
		3 PLACE ±	2 PLACE ±	1 PLACE ±	
		DESIGN DIMENSION (PRIMARY) <input checked="" type="checkbox"/> (MM) <input type="checkbox"/> IN.	APP'D BY JHO	TITLE I-WAY HOUSING FOR FEMALE TERMINAL WATERPROOF 2.8-SYSTEM	
		EQUIVALENT DIMENSION (SECONDARY) <input type="checkbox"/> (MM) <input type="checkbox"/> IN.	SCALE 5:1	SHEET NO. DATE 1 / 1 87 / 02 / 19	
				PART NO. DWG NO. SIZE SEE TABLE SDA-98016 C	