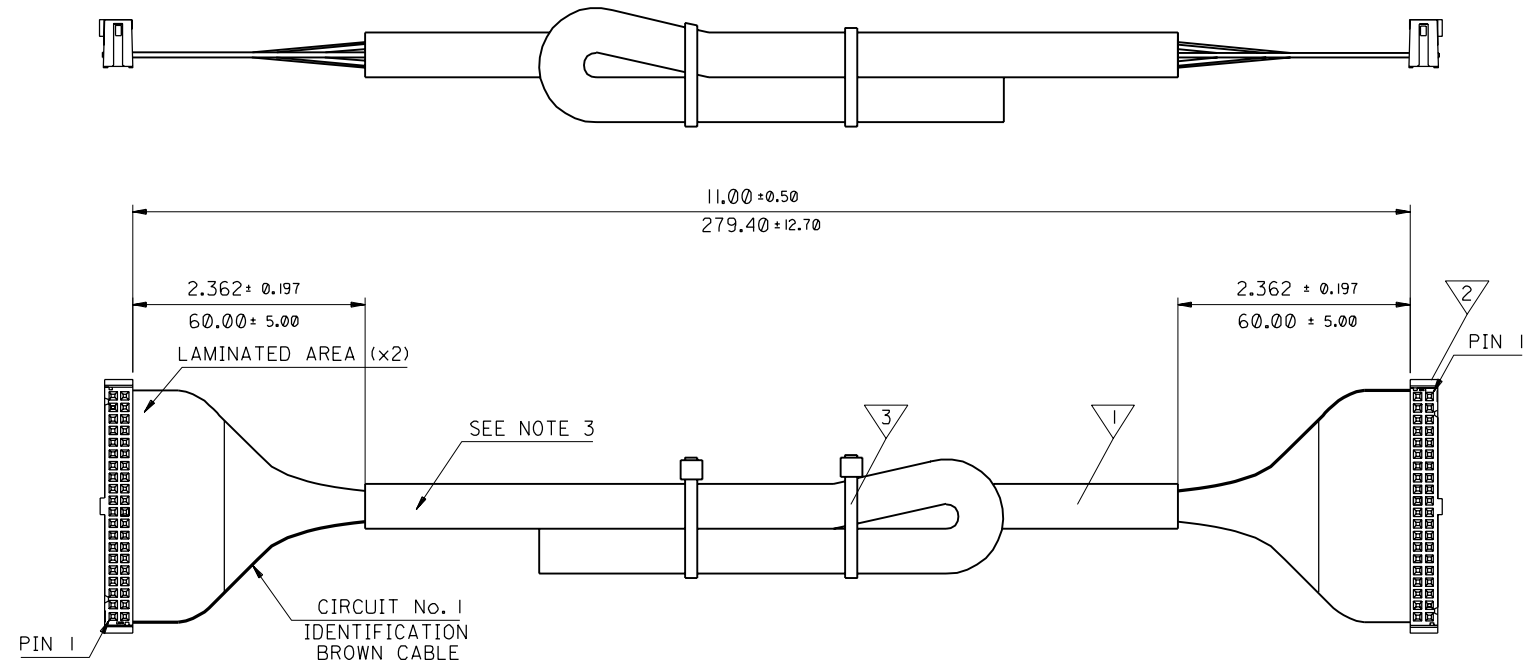


PART NO. 92301-0052
 DWG. NO. SD-92301-063



NOTES:

1. SEE PRODUCT SPECIFICATION PS-99020-0015.
2. SEE CABLE SPECIFICATION ES-99027-0030.
3. PRINT DELL PART NO. "87231-A00-00" AND "EL TEST OK" APPROXIMATELY WHERE SHOWN ON CABLE, AFTER ELECTRICAL TESTING, TEXT HEIGHT 3.0mm.
4. HARNESS TO BE 100% ELECTRICALLY TESTED.
5. APPLY CABLE TIES IN POSITIONS INDICATED.
6. ATTACH UL LABEL TO EVERY BOX.

ITEM	COMPONENT	DESCRIPTION	QUANTITY	NOTE
1	99026-0152	40 CCT RIBBON CABLE 28 AWG (BELDEN 9M28140)	1	2,3,4,5
2	90635-1401	QF50 40 CCT CONNECTOR	2	1,4
3	90848-0018	CABLE TIE	2	2,5

ORIGINAL RELEASE EC NO. E80343 DRWN: M. CURRAN 98/0526 CHK: / / / / APPR: / / / / A2	DESCRIPTION MAJOR = CRITICAL = C =	GENERAL TOLERANCES: (UNLESS SPECIFIED)		SCALE 1 : 1	DESIGN UNITS <input checked="" type="checkbox"/> mm <input type="checkbox"/> INCH	THIRD ANGLE PROJECTION	DIMENSIONS: <input type="checkbox"/> mm <input checked="" type="checkbox"/> INCH <input type="checkbox"/> mm ONLY	SHT REV	
		4 PLACES ±0. ±.	3 PLACES ±0. ±.	2 PLACES ±0. ±.	1 PLACE ±0. ±.	DRAWN BY & DATE MCURRAN 98/02/16		TITLE: 40 CCT CABLE ASSEMBLY	
		ANGULAR: ± 1/2 °				CHECKED BY & DATE AMcCANN 98/02/16		MOLEX INCORPORATED	
		DRAFT WHERE APPLICABLE MUST REMAIN WITHIN DIMENSIONS				APPROVED BY & DATE MWILHITE 98/02/16		MATERIAL NO. DRAWING NO. S9230152.DGN 92301-0052 SD-92301-063	
THIS DRAWING CONTAINS INFORMATION THAT IS PROPRIETARY TO MOLEX INCORPORATED AND SHOULD NOT BE USED WITHOUT WRITTEN PERMISSION.							SHEET NO. 1 OF 1		