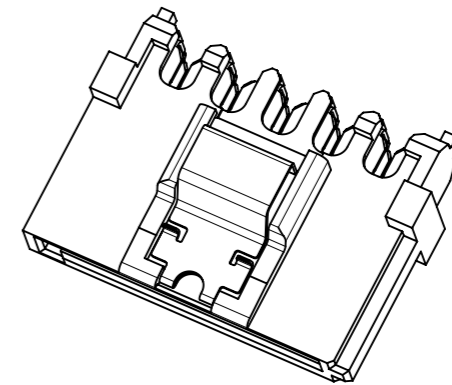
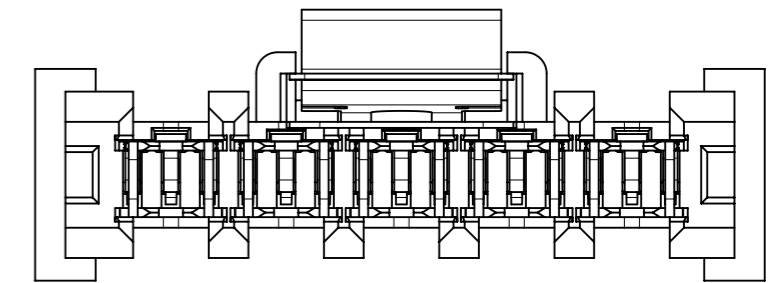
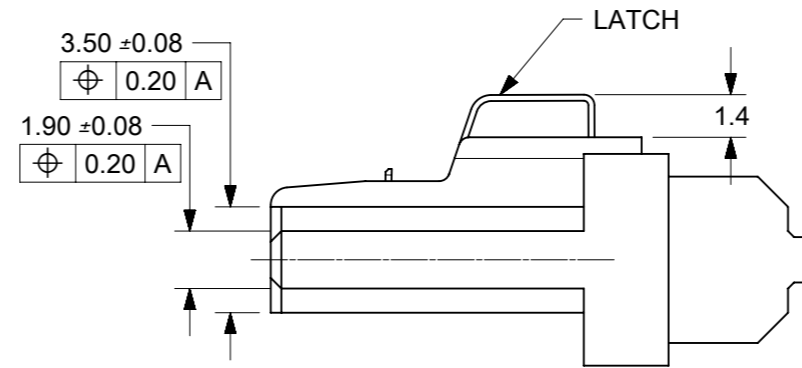
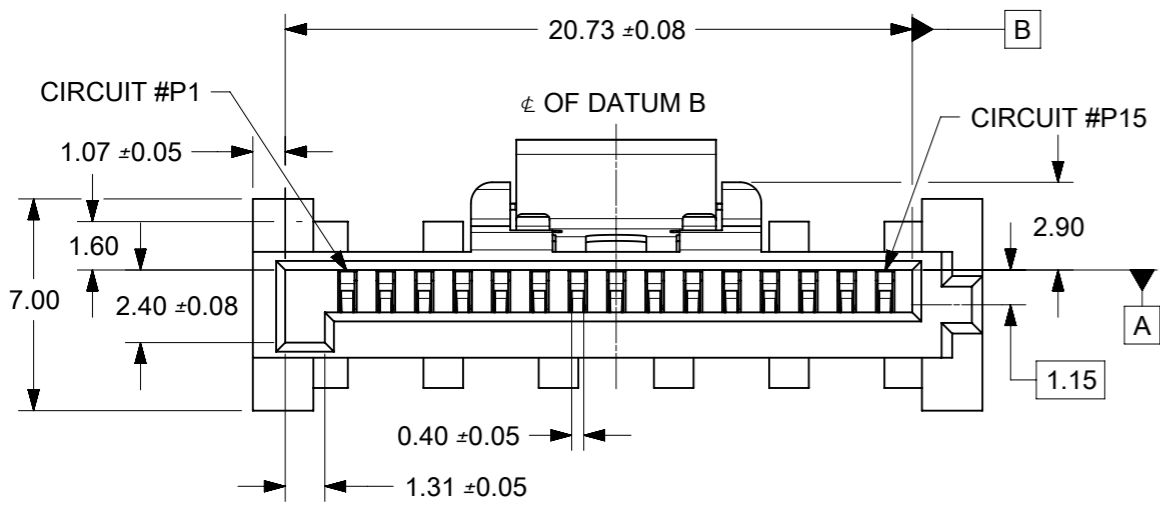


NOTES:

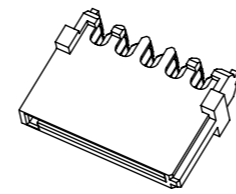
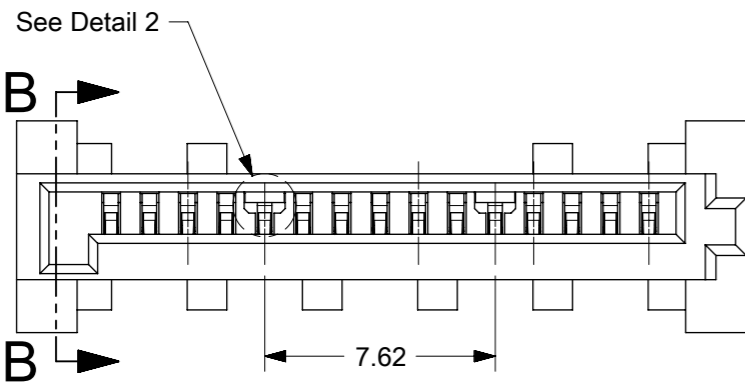
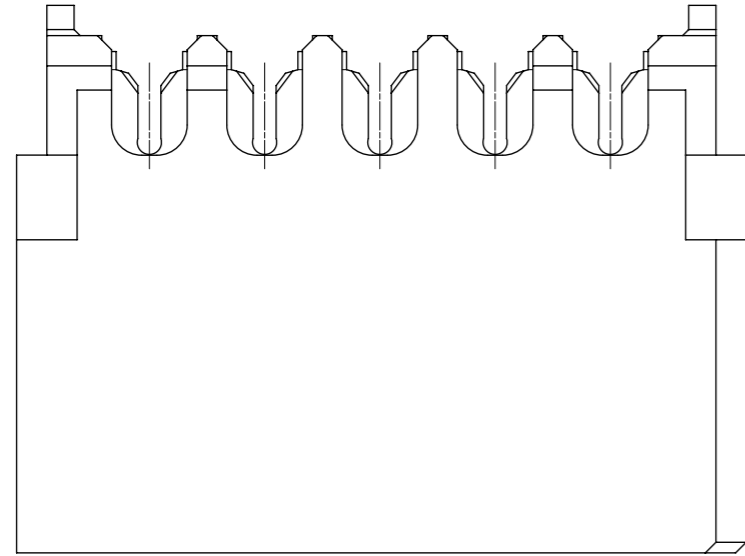
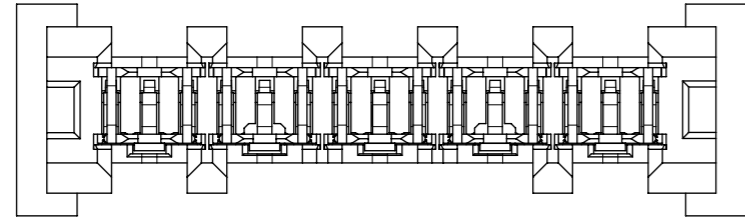
- MATERIAL:  
HOUSING: THERMAL PLASTIC, G.F., UL94V-0, COLOR: BLACK  
COVER: THERMAL PLASTIC, COLOR: BLACK  
TERMINAL: COPPER ALLOY  
METAL LATCH: STAINLESS STEEL
- TERMINAL PLATING:  
CONTACT AREA: GOLD PLATED  
IDT TAIL: PLATE TIN, 1.9 MICRONS MINIMUM  
UNDER PLATE: PLATE NICKEL 1.25 MICRONS MINIMUM
- PACKAGING: TRAY
- PRODUCT SPECIFICATION REFER TO PS-67490-001
- ASSEMBLE WITH COVER 679260040/0041 AFTER WIRE TERMINATION
- MATING PART 87679
- RECOMMENDED TERMINATING WIRE SIZE: SEE TABLE
- PRODUCT COMPLIANT TO RoHS DIRECTIVE 2002/95/EC AND ELV DIRECTIVE 2000/53/EC



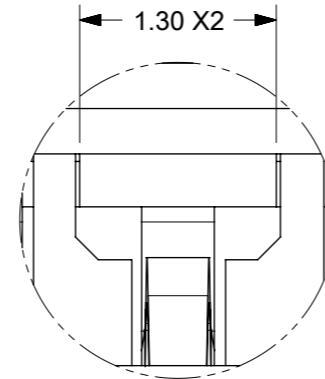
WITH LATCH TYPE



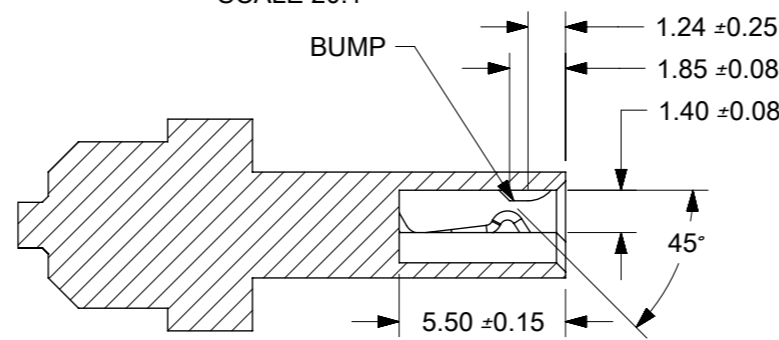
<b>SYMBOLS</b> ▽ = 0 ▽ = 0 ▽ = 0 ▽ = 0 ▽ = 0 ▽ = 0 ▽ = 0 ▽ = 0 ▽ = 0 ▽ = 0 ▽ = 0 ▽ = 0	THIS DRAWING CONTAINS INFORMATION THAT IS PROPRIETARY TO MOLEX ELECTRONIC TECHNOLOGIES, LLC AND SHOULD NOT BE USED WITHOUT WRITTEN PERMISSION DIMENSION UNITS: <b>mm</b> SCALE: <b>4:1</b>	CURRENT REV DESC: EC NO: 630535 DRWN: CCHEN103 2020/01/15 CHK'D: JKACHLIC 2020/02/20 APPR: JKACHLIC 2020/02/20			
	GENERAL TOLERANCES (UNLESS SPECIFIED) ANGULAR TOL ± 1.0° 4 PLACES ± 3 PLACES ± 2 PLACES ± 0.25 1 PLACE ± 0.3 0 PLACES ±	INITIAL REVISION: DRWN: GRMA 2003/12/03 APPR: SHUANG 2003/12/04			
	DRAFT WHERE APPLICABLE MUST REMAIN WITHIN DIMENSIONS THIRD ANGLE PROJECTION DRAWING: A3-SIZE SERIES: 67926	MATERIAL NUMBER: SEE CHART CUSTOMER: GENERAL MARKET	DOCUMENT NUMBER: SD-67926-001 DOC TYPE: PSD DOC PART: 001 REVISION: J1	SHEET NUMBER: 1 OF 3	



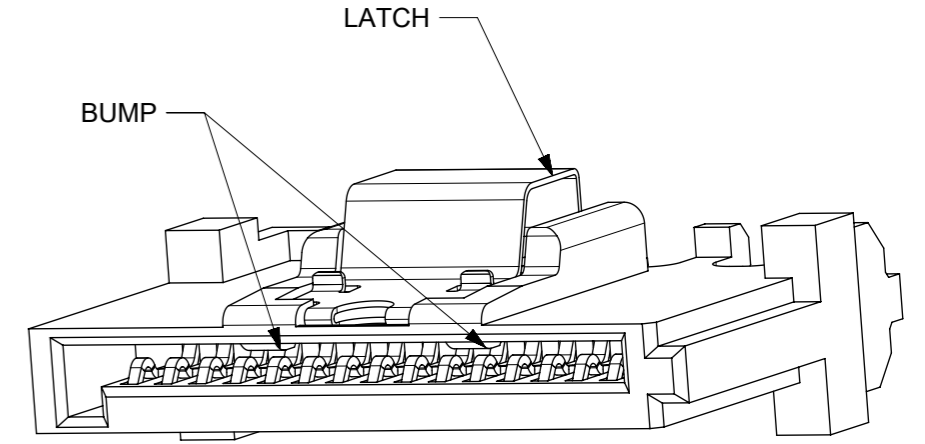
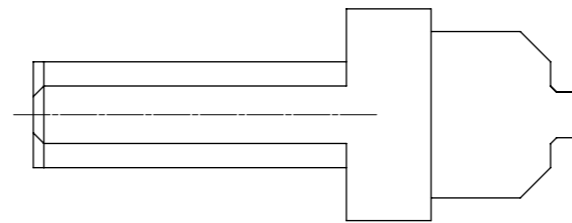
WITHOUT LATCH TYPE



DETAIL C  
SCALE 20:1



SECTION B-B




WITH LATCH AND BUMP TYPE

NOTES:  
OTHER INFORMATION REFER TO SHEET 1.

<b>SYMBOLS</b> ▽ = 0 ▽ = 0 ▽ = 0 ▽ = 0 ▽ = 0 ▽ = 0 ▽ = 0 ▽ = 0 ▽ = 0 ▽ = 0 ▽ = 0	THIS DRAWING CONTAINS INFORMATION THAT IS PROPRIETARY TO MOLEX ELECTRONIC TECHNOLOGIES, LLC AND SHOULD NOT BE USED WITHOUT WRITTEN PERMISSION DIMENSION UNITS: <b>mm</b> SCALE: <b>4:1</b>	CURRENT REV DESC: EC NO: 630535 DRWN: CCHEN103 2020/01/15 CHK'D: JKACHLIC 2020/02/20 APPR: JKACHLIC 2020/02/20	 SERIAL ATA POWER CONNECTOR IDT TYPE		
	GENERAL TOLERANCES (UNLESS SPECIFIED) ANGULAR TOL ± 1.0° 4 PLACES ± 3 PLACES ± 2 PLACES ± 0.25 1 PLACE ± 0.3 0 PLACES ±	INITIAL REVISION: DRWN: GRMA 2003/12/03 APPR: SHUANG 2003/12/04			
	DRAFT WHERE APPLICABLE MUST REMAIN WITHIN DIMENSIONS THIRD ANGLE PROJECTION 	DRAWING: <b>A3-SIZE</b>	SERIES: <b>67926</b>	MATERIAL NUMBER: <b>SD-67926-001</b> CUSTOMER: <b>GENERAL MARKET</b>	DOC TYPE: <b>PSD</b> DOC PART: <b>001</b> REVISION: <b>J1</b> SHEET NUMBER: <b>2 OF 3</b>

F  
E  
D  
C  
B  
A

P/N	RECOMMENDED WIRE SIZE	PLATE TYPE	REMARK	
67926-0001	18AWG	GOLD FLASH	WITH LATCH, WITHOUT BUMP	
67926-0401	22AWG			
67926-0002	18AWG	0.76 MICRON GOLD PLATED		
67926-0302	20AWG			
67926-0402	22AWG			
67926-0005	18AWG	0.38 MICRON GOLD PLATED		
67926-0305	20AWG			
67926-0405	22AWG			
67926-0021	18AWG	GOLD FLASH		WITH LATCH, WITH BUMP
67926-0321	20AWG			
67926-0421	22AWG	0.76 MICRON GOLD PLATED		
67926-0022	18AWG			
67926-0322	20AWG			
67926-0422	22AWG			
67926-0025	18AWG	0.38 MICRON GOLD PLATED		
67926-0425	22AWG			
67926-0011	18AWG	GOLD FLASH	WITHOUT LATCH, WITH BUMP	
67926-0311	20AWG			
67926-0411	22AWG	0.76 MICRON GOLD PLATED		
67926-0012	18AWG			
67926-0412	22AWG			
67926-0015	18AWG	0.38 MICRON GOLD PLATED		
67926-0315	20AWG			
67926-0415	22AWG			

<b>SYMBOLS</b> ▽ = 0 ▽ = 0 ▽ = 0 ▽ = 0 ▽ = 0 ▽ = 0 ▽ = 0 ▽ = 0 ▽ = 0 ▽ = 0	THIS DRAWING CONTAINS INFORMATION THAT IS PROPRIETARY TO MOLEX ELECTRONIC TECHNOLOGIES, LLC AND SHOULD NOT BE USED WITHOUT WRITTEN PERMISSION		CURRENT REV DESC:		 SERIAL ATA POWER CONNECTOR IDT TYPE PRODUCT CUSTOMER DRAWING	
	DIMENSION UNITS	SCALE	EC NO: 630535			DOCUMENT NUMBER
	mm	4:1	DRWN: CCHEN103 2020/01/15			DOC TYPE
	GENERAL TOLERANCES (UNLESS SPECIFIED)		CHK'D: JKACHLIC 2020/02/20		DOC PART	REVISION
	ANGULAR TOL ± 1.0°		APPR: JKACHLIC 2020/02/20		001	
	4 PLACES ±		INITIAL REVISION:		SD-67926-001	
	3 PLACES ±		DRWN: GRMA 2003/12/03		SEE CHART	
	2 PLACES ± 0.25		APPR: SHUANG 2003/12/04		GENERAL MARKET	
	1 PLACE ± 0.3		THIRD ANGLE PROJECTION		SHEET NUMBER	
	0 PLACES ±		DRAWING		3 OF 3	
DRAFT WHERE APPLICABLE MUST REMAIN WITHIN DIMENSIONS		SERIES		MATERIAL NUMBER		
		A3-SIZE		67926		