

- NOTES**
1. MATERIAL: SOCKET PLUG POLYAMIDE(PA66), 40% MINERAL FILLED, UL94HB  
TERMIANL: COPPER-ALLOY, 0.3T  
OTHERS: SEE TABLE
  2. FINISH: SEE TABLE
  3. PRODUCT SPECIFICATION: PS-35340-001
  4. "F" DIMENSION:  
1IEGE SPECIFICATION: 11.7mm  
2KKS: 13.3mm
  5. MATES WITH 35512

GRAY	1	POLYAMIDE	SOCKET PLUG	355120200	35512-0200	⑥
12V 5W	1	-	BULB	-	-	⑤
RED	1	SILICON	INNER SEAL	359030011	35903-0011	④
DARK GRAY	1	RUBBER	O-RING	359030013	35903-0013	③
-	2	Cu-ALLOY	TERMINAL	350756100	35075-6100	②
GRAY	1	POLYAMIDE	STS HEADER	353410290	35341-0290	①
-	-	-	SOCKET ASSY	353410210	35341-0210	①
FINISH	Q'TY	MATERIAL	DECRPTION	MATERIAL NO	ENG NO	NO

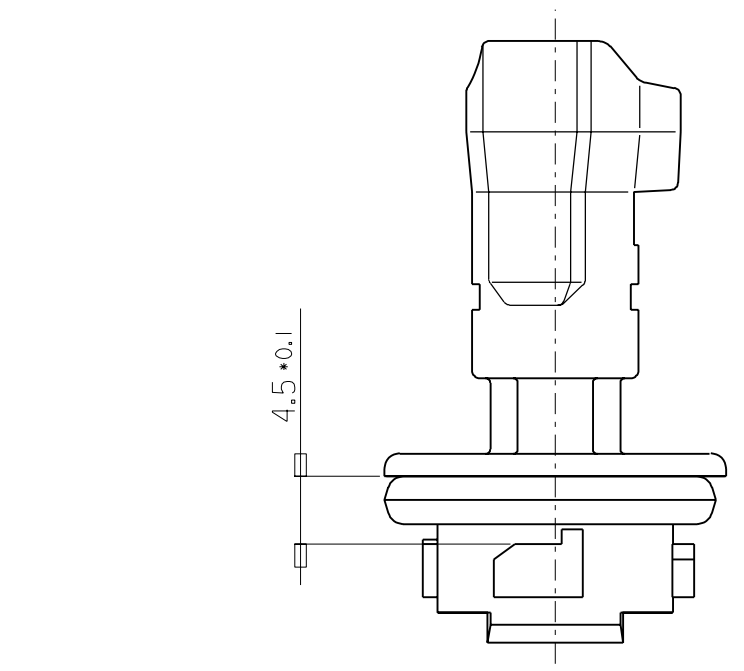
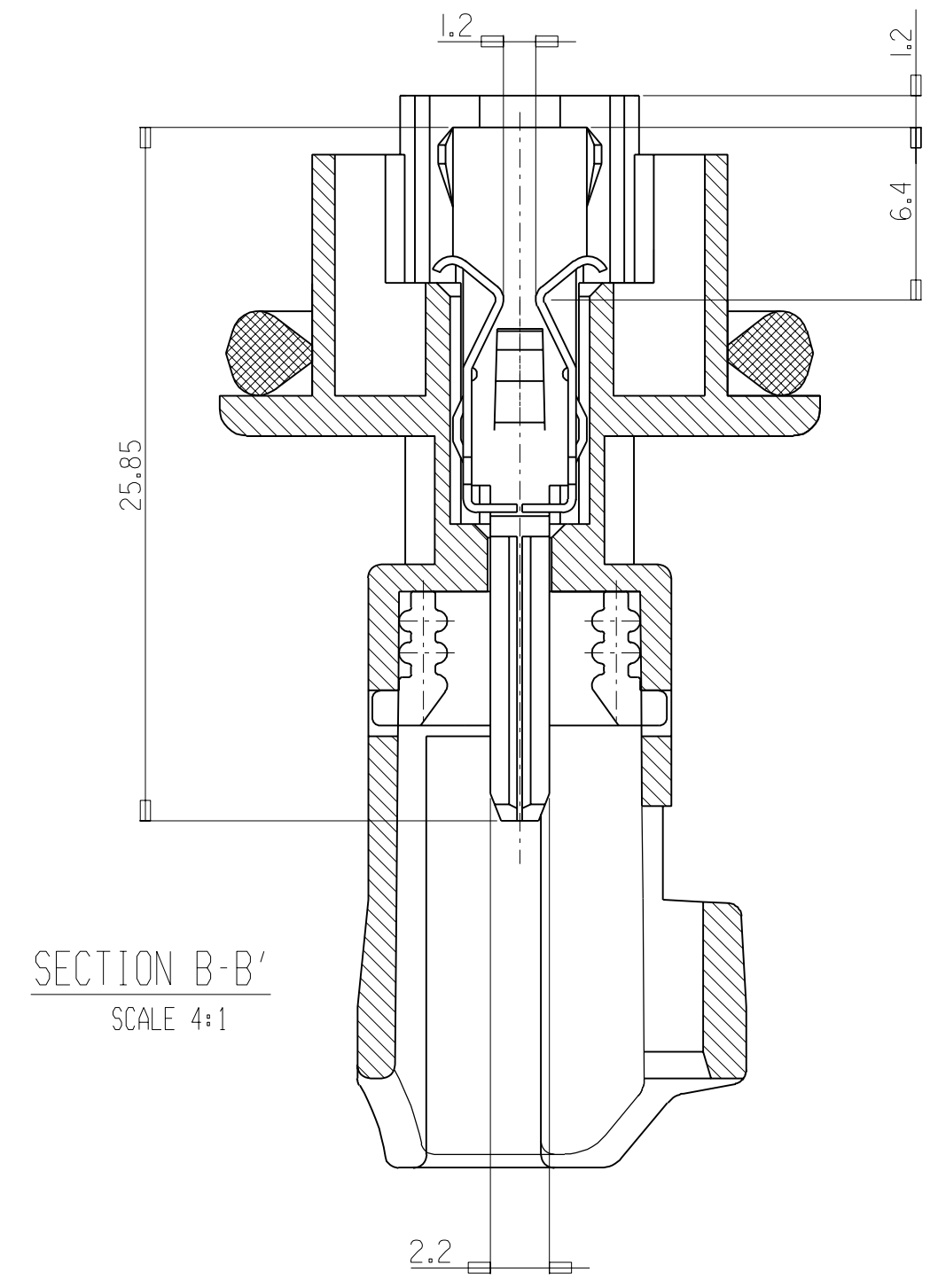
<b>CHANGED OF MATERIAL</b> EIC NO: KOR2008-0070 DRW: NEEKIM 2007/10/04 CHK: BCYOUN 2007/10/04 APPR: YUNSIKKIM 2007/10/02	QUALITY SYMBOLS ▽=0 ▽=0	GENERAL TOLERANCES (UNLESS SPECIFIED)		DIMENSION STYLE MM ONLY		SCALE 2:1	DESIGN UNITS METRIC	THIRD ANGLE PROJECTION			
		4 PLACES ± --- ± --- 3 PLACES ± --- ± --- 2 PLACES ± 0.2 ± --- 1 PLACE ± 0.2 ± --- ANGULAR ± 1 °	mm INCH	DRAWN BY YSOOKIM	DATE 1996/01/05	TITLE STS BULB SOCKET ASS'Y					
		DRAFT WHERE APPLICABLE MUST REMAIN WITHIN DIMENSIONS		CHECKED BY JKOH	DATE 1996/01/05	MOLEX INCORPORATED					
				APPROVED BY CWLEE	DATE 1996/01/05	MATERIAL NO. 353410210	DOCUMENT NO. SD-35341-001	SHEET NO. 1 OF 1			

DO NOT SCALE DRAWING DIMENSION IN METRIC

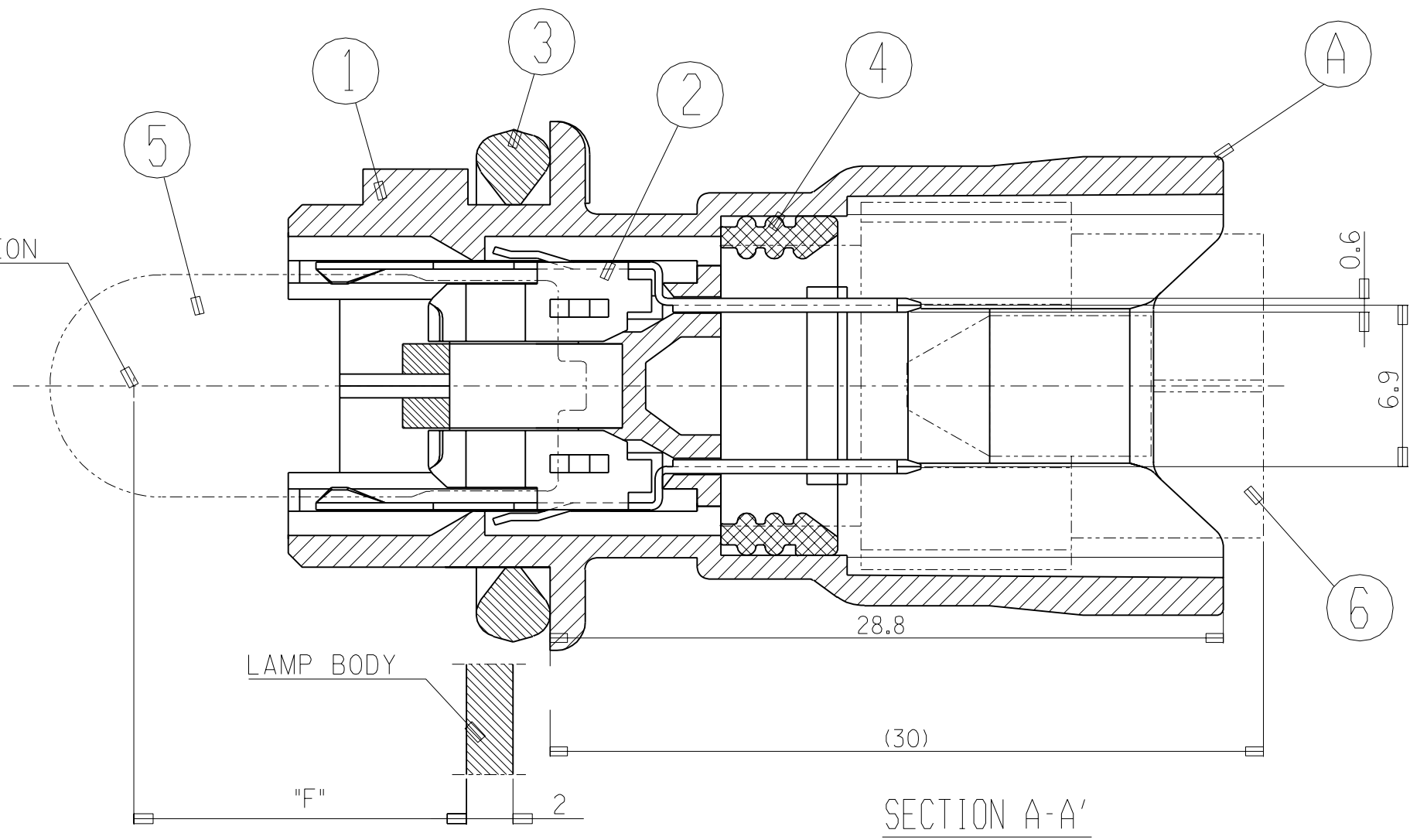
PROJECT NO. SD-35341-001

SIMILAR ITEM

DWG. NO. SD-35341-001

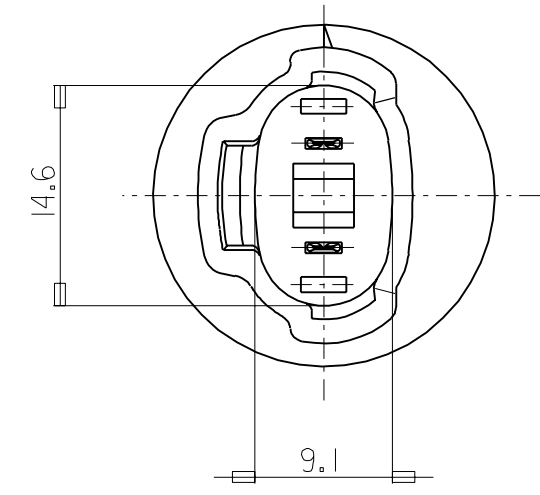
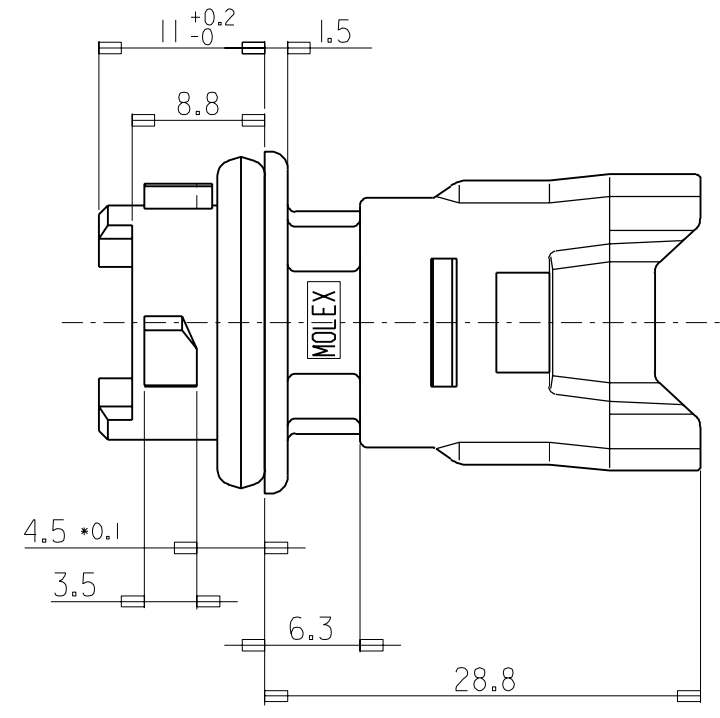
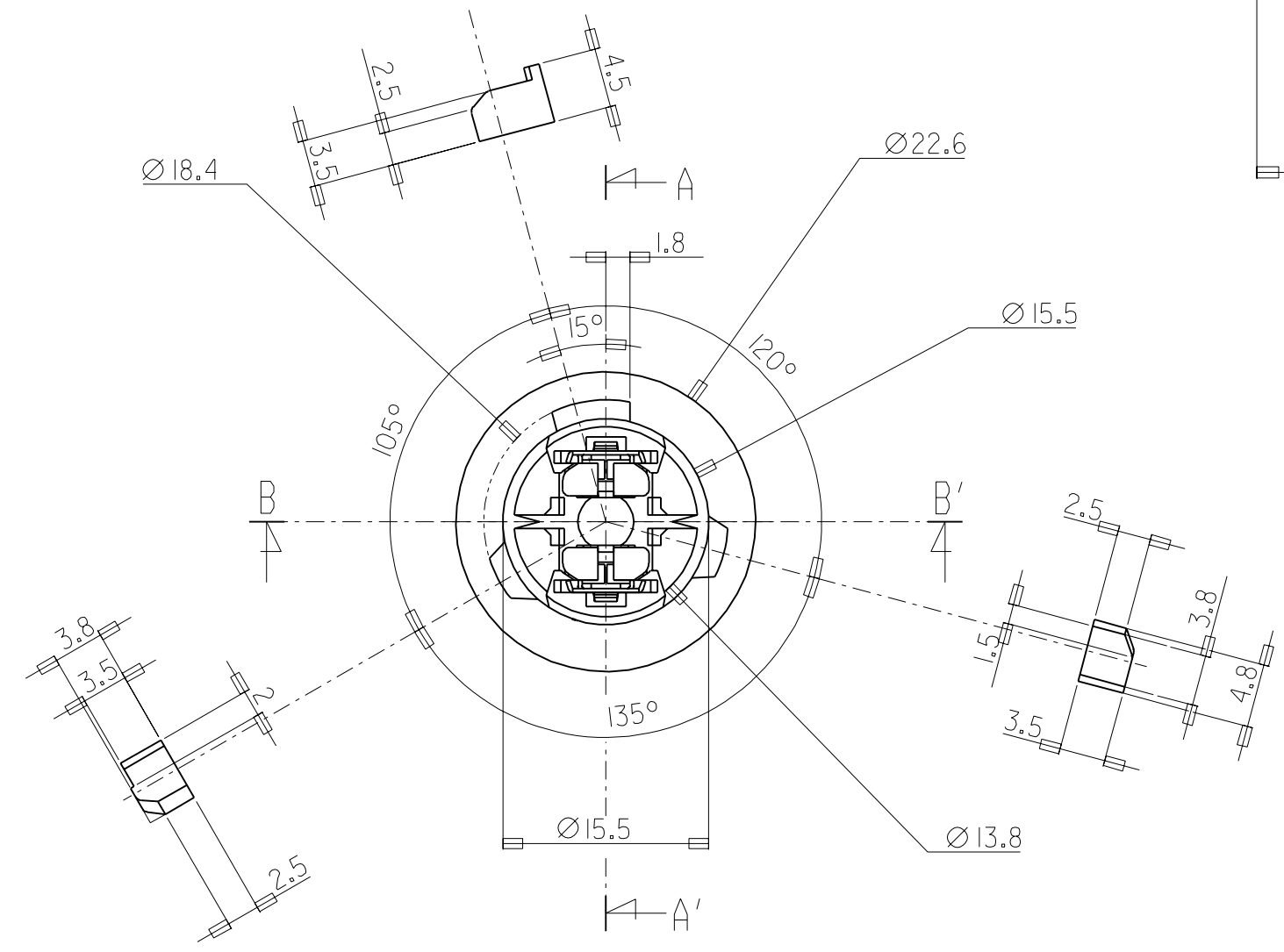


FILAMENT POSITION

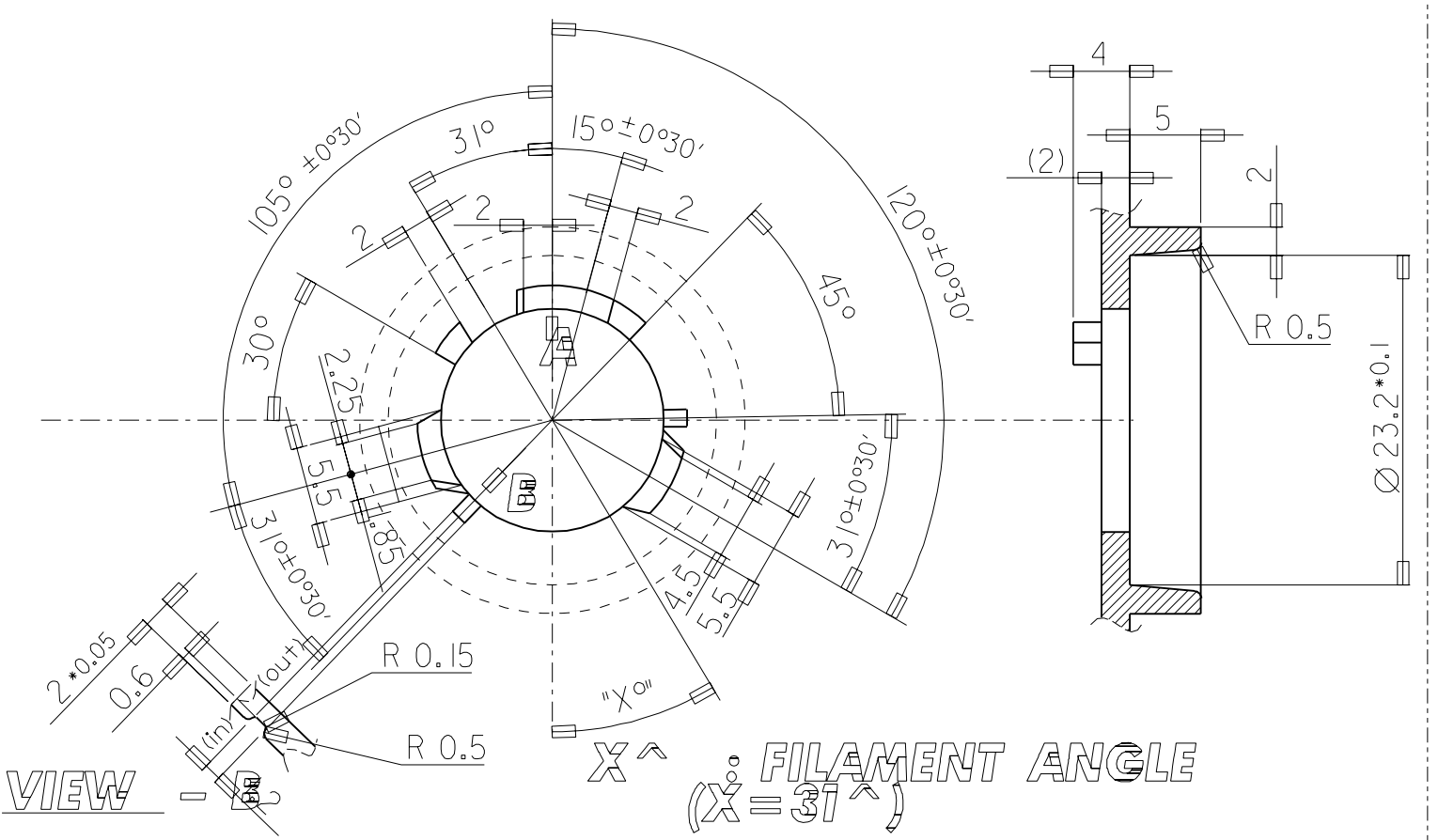
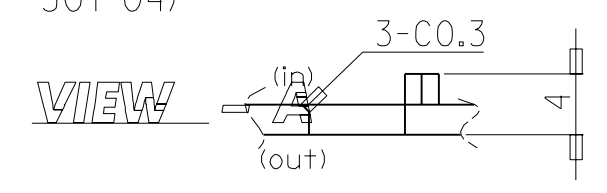


SECTION A-A'  
SCALE 4:1

SECTION B-B'  
SCALE 4:1



**SOCKET PULG HOLE**  
(SES-D-102 301-04)



**NOTES**

- MATERIAL : SOCKET PLUG POLYAMIDE, UL94V-0  
TERMINAL : COPPER-ALLOY, 0.3+  
OTHERS : SEE TABLE
- FINISH : SEE TABLE
- PRODUCT SPECIFICATION : PS 35340-001
- "F" DIMENSION  
(1) ECE SPECIFICATION : 11.7mm  
(2) KS : 13.3mm
- MATES WITH 35512
- GENERAL TOLERANCE

DIMENSION	TOLERANCE
LESS 4	±0.2
4 TO 8	±0.25
8 TO 16	±0.3
16 TO 32	±0.4
32 TO 63	±0.5
63 TO 126	±0.6
DRAFT ANGLE	LESS 1° 30'

FINISH	Q'TY	MATERIAL	DESCRIPTION	MATERIAL NO	ENG NO	NO
GRAY	1	POLYAMIDE	SOCKET PLUG	355120200	35512-0200	6
12V 5W	1	-	BULB	-	-	5
RED	1	SILICON	INNER SEAL	359030011	35903-0011	4
DARK GRAY	1	RUBBER	O-RING	359030013	35903-0013	3
-	2	CU-ALLOY	TERMINAL	350756100	35075-6100	2
GRAY	1	POLYAMIDE	STS HEADER	353410290	35341-0290	1
-	-	-	SOCKET ASSY	353410210	35341-0210	A

REVISED EC NO. KOR2001-0033 DRWN: YSOOK (m010412) CHK: J.K.OH APPR: C.W.LEE	QUALITY SYMBOLS MAJOR = CRITICAL =	GENERAL TOLERANCES: (UNLESS SPECIFIED)		SCALE 2:1	DESIGN UNITS <input checked="" type="checkbox"/> mm <input type="checkbox"/> INCH	DIMENSIONS: <input type="checkbox"/> mm <input type="checkbox"/> INCH <input checked="" type="checkbox"/> mm ONLY		SHT	REV
		4 PLACES ±0.1	±	3 PLACES ±0.1	±	2 PLACES ±0.1	±	1 PLACE ±0.1	±
C	REV	ANGULAR: ± 1°		DRAWN BY & DATE Y.Soo.Kim 960105		THIRD ANGLE PROJECTION		MATERIAL NO. SEE TABLE	
		DRAFT WHERE APPLICABLE MUST REMAIN WITHIN DIMENSIONS		CHECKED BY & DATE J.K.OH		MATERIAL NO. SEE TABLE		DRAWING NO. SD-35341-001	
				THIS DRAWING CONTAINS INFORMATION THAT IS PROPRIETARY TO MOLEX INCORPORATED AND SHOULD NOT BE USED WITHOUT WRITTEN PERMISSION.				SHEET NO. 1 of 1	