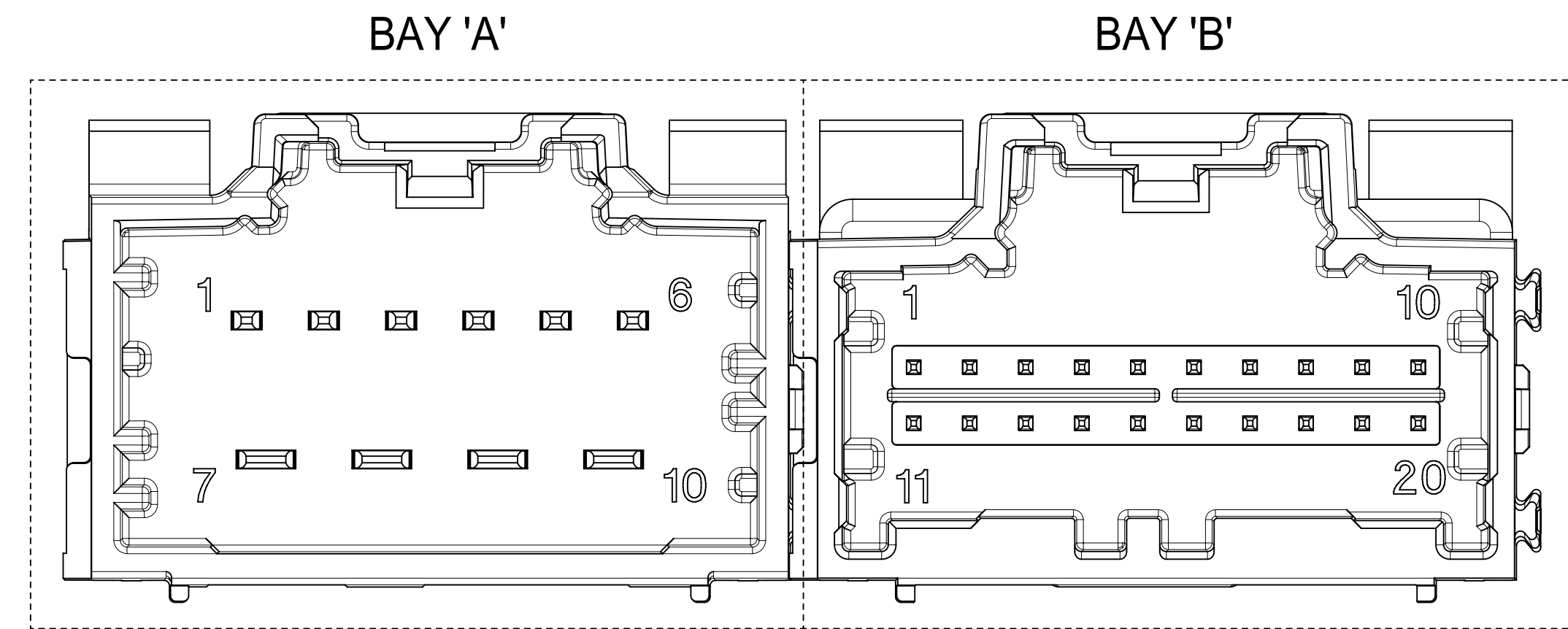


2 BAY STAC64 VERTICAL HEADER ASSEMBLY (P/N: 34707-2012 SHOWN)

DIMENSIONAL CHART FOR MULTIBAY CONFIGURATION:

PART NUMBER (TUBE PKG)	PART NUMBER (TRAY PKG)	BAY A			BAY B			DIM 'A'	DIM 'B'	DIM 'C'	DIM 'D'
		CKT	TYPE	POL	CKT	TYPE	POL				
34707-7000	34707-2000	20	0.64mm	A	20	0.64mm	B	66.94	64.47	27.94	27.94
TBD	34707-2001	20	0.64mm	A	20	0.64mm	C	66.94	64.47	27.94	27.94
TBD	34707-2002	20	0.64mm	C	20	0.64mm	D	66.94	64.47	27.94	27.94
TBD	34707-2003	20	0.64mm	C	20	0.64mm	A	66.94	64.47	27.94	27.94
TBD	34707-2004	12	0.64mm	A	20	0.64mm	A	56.78	54.31	17.78	27.94
TBD	34707-2005	12	0.64mm	A	10	HYBRID	A	56.78	54.31	17.78	27.94
TBD	34707-2006	12	0.64mm	B	10	HYBRID	A	56.78	54.31	17.78	27.94
TBD	34707-2007	10	HYBRID	A	20	0.64mm	B	66.94	64.47	27.94	27.94
34707-7012	34707-2012	10	HYBRID	A	20	0.64mm	C	66.94	64.47	27.94	27.94
TBD	34707-2022	20	0.64mm	C	10	HYBRID	A	66.94	64.47	27.94	27.94
TBD	34707-2023	20	0.64mm	A	20	0.64mm	D	66.94	64.47	27.94	27.94
TBD	34707-2030	10	HYBRID	B	10	HYBRID	A	66.94	64.47	27.94	27.94
TBD	34707-2040	12	0.64mm	A	12	0.64mm	B	46.62	44.15	17.78	17.78
TBD	34707-2050	20	0.64mm	A	16	0.64mm	A	61.86	59.39	27.94	22.86
TBD	34707-2060	20	0.64mm	A	12	0.64mm	A	56.78	54.31	27.94	17.78
TBD	34707-2070	16	0.64mm	A	8	0.64mm	C	46.62	44.15	22.86	12.70
34707-7080	34707-2080	12	0.64mm	A	20	0.64mm	B	56.78	54.31	17.78	27.94
TBD	34707-2090	16	0.64mm	A	16	0.64mm	B		54.31		



NOTES: VALID UNLESS OTHERWISE SPECIFIED

1. GENERAL:

a. CONNECTOR HEADER MUST BE VALIDATED TO THE FOLLOWING FUNCTIONAL REQUIREMENTS:

PRODUCT SPECIFICATION:
8-20 CKT 0.64mm PRODUCT SPEC: PS-34729-100/PS-31408-100
10/14 CKT HYBRID PRODUCT SPEC: PS-31372-100

b. APPLICATION REQUIREMENTS (REFERENCE ONLY):

APPLICATION SPECIFICATION: AS-34729-020/AS-31408-100

c. PACKAGING SPECIFICATION PER MOLEX DRAWING PK-31300-892 (TRAY)

d. PACKAGING SPECIFICATION PER MOLEX DRAWING PK-31301-063 (TUBE)

2. DESIGN: MATERIALS:

a. SHROUD (PLASTIC HOUSING):

RESIN - SPS 30%GF

COLORS:

POL A - BLACK

POL B - GRAY

POL C - BROWN

POL D - GREEN

b. 0.64mm PINS:

BASE MATERIAL: C26000

PLATING TYPE: AS NOTED

1.50/2.80mm BLADES:

BASE MATERIAL: C19400

PLATING TYPE: AS NOTED

3. PLATING REQUIREMENTS:

a. UNDERPLATING - OVERALL NICKEL

b. OVERPLATING - OVERALL TIN

4. FOR DESCRIPTION OF INDIVIDUAL BAYS, REFER TO THE FOLLOWING

SINGLE BAY DRAWINGS:

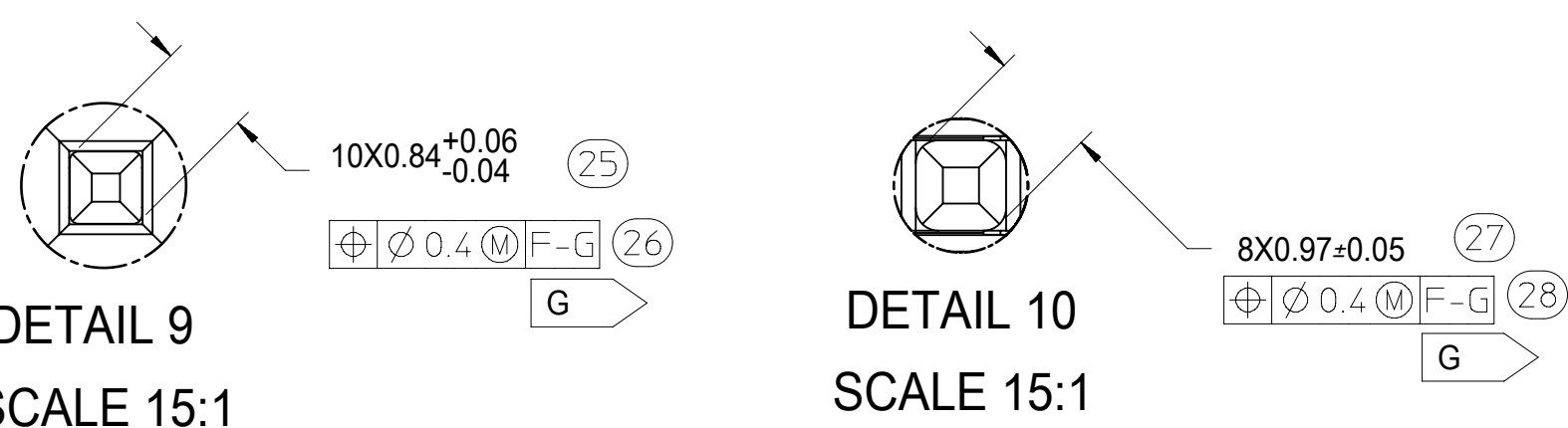
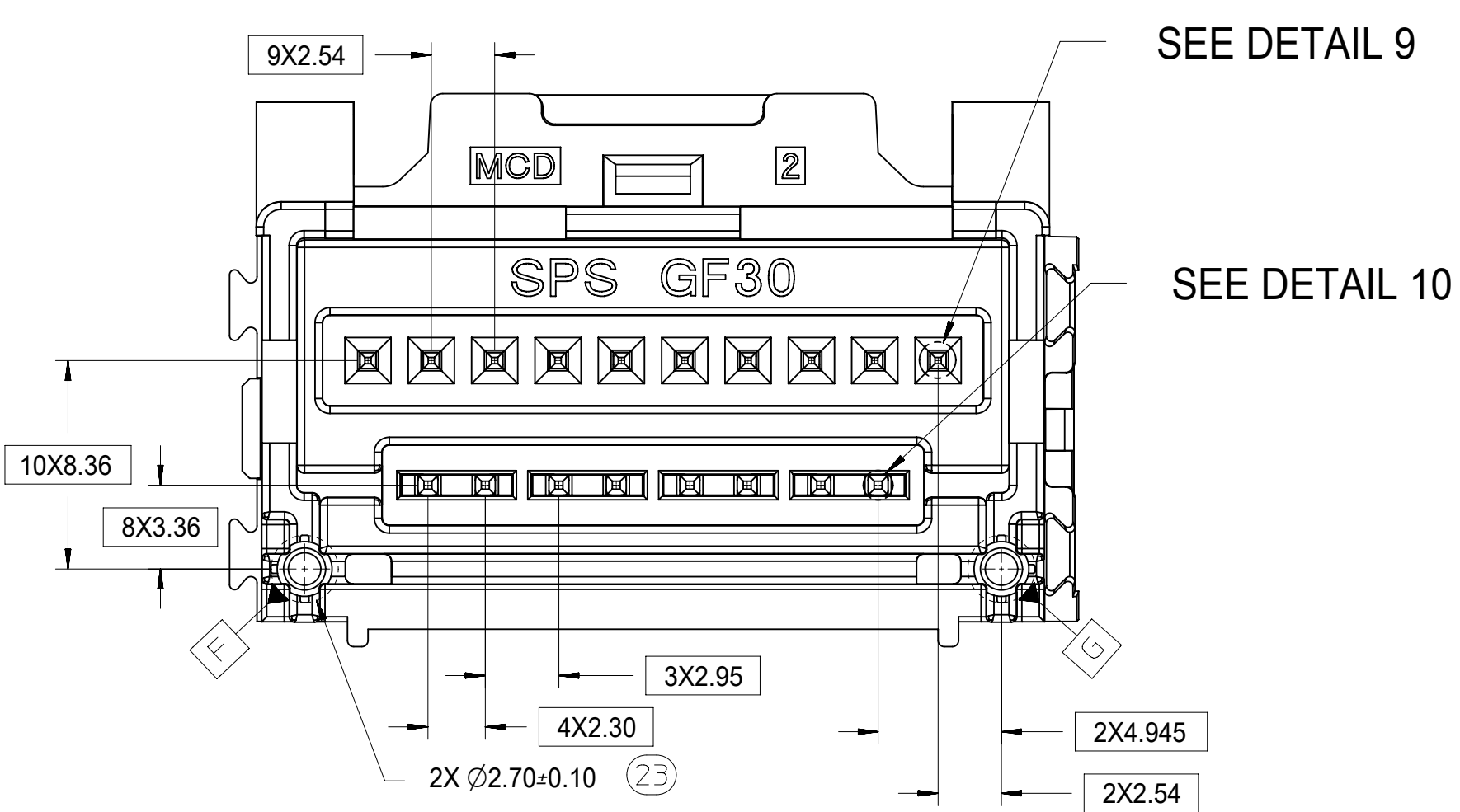
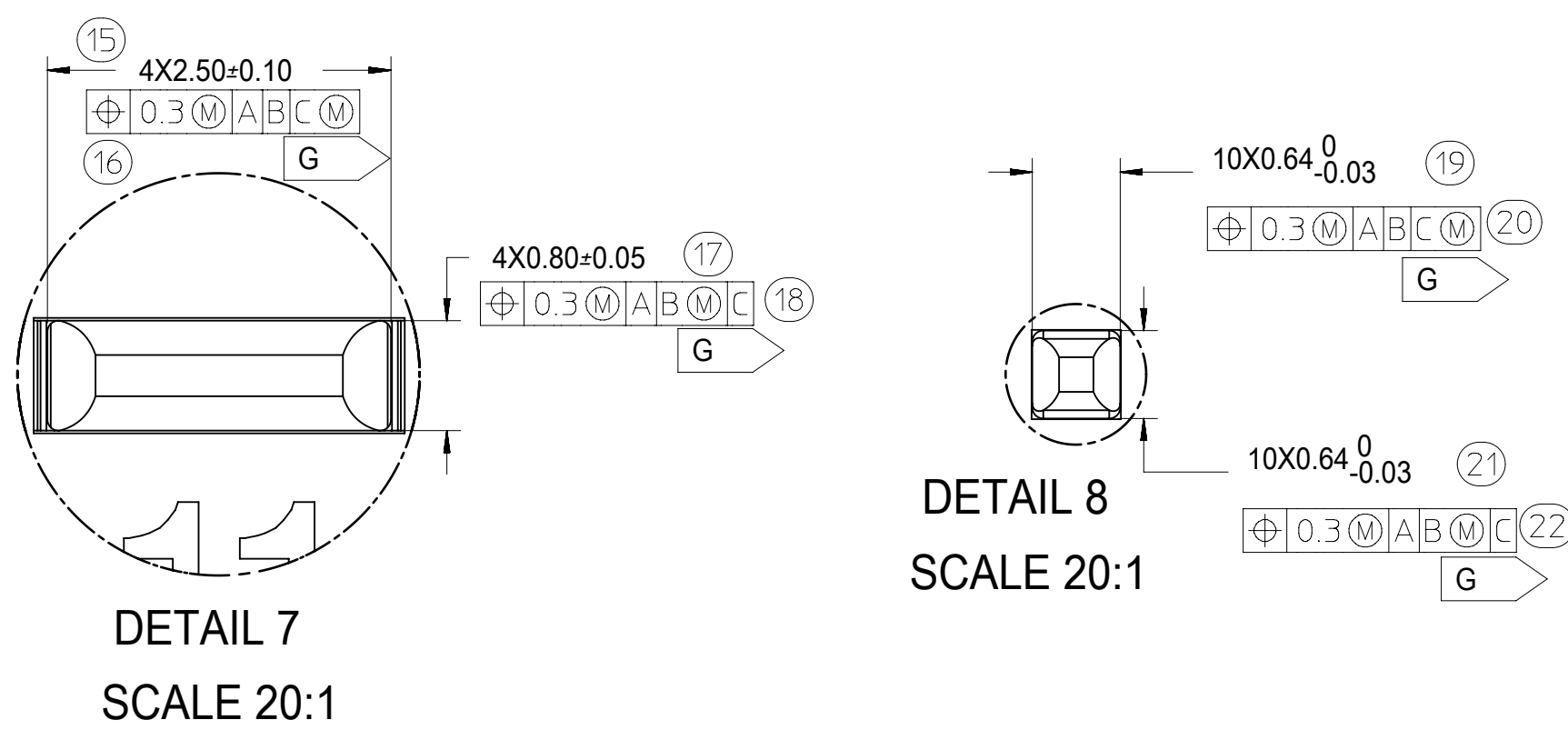
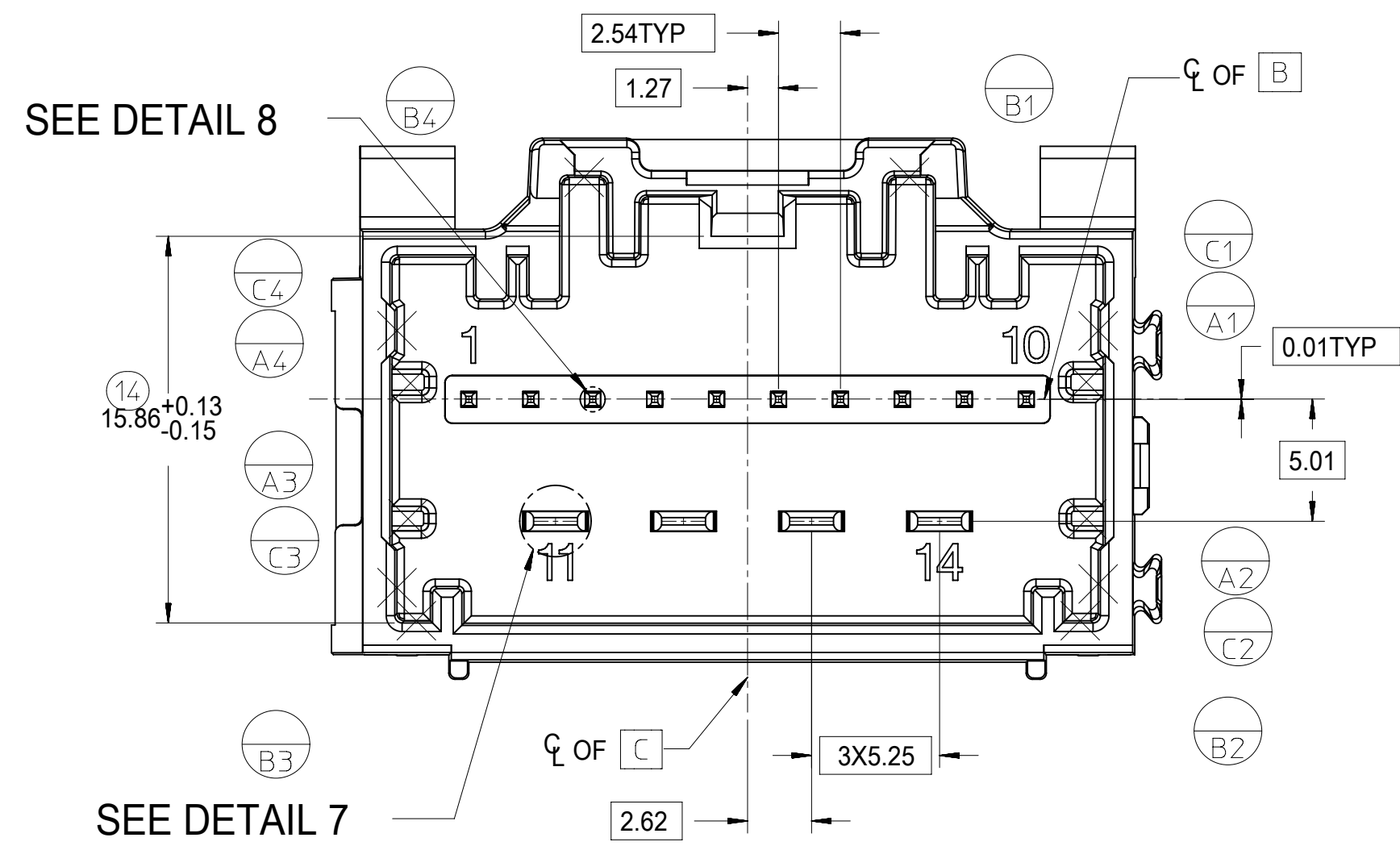
8-20 CKT 0.64: SD-34690-100

10 CKT HYBRID: SD-34695-100

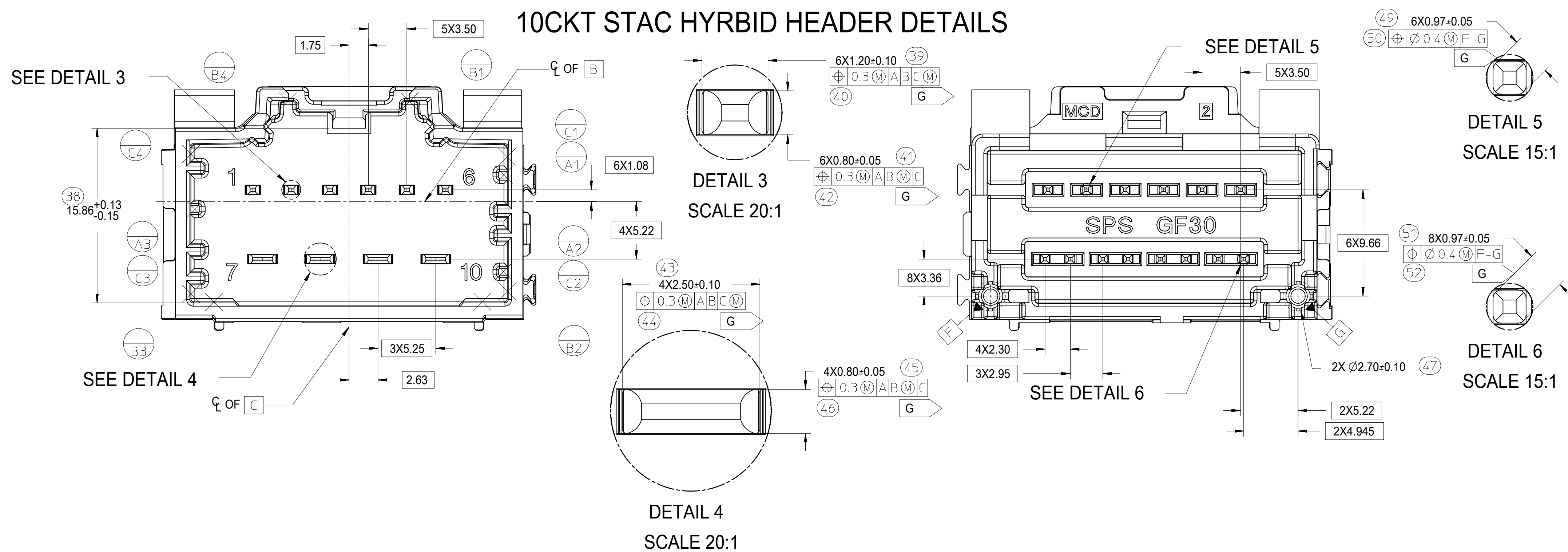
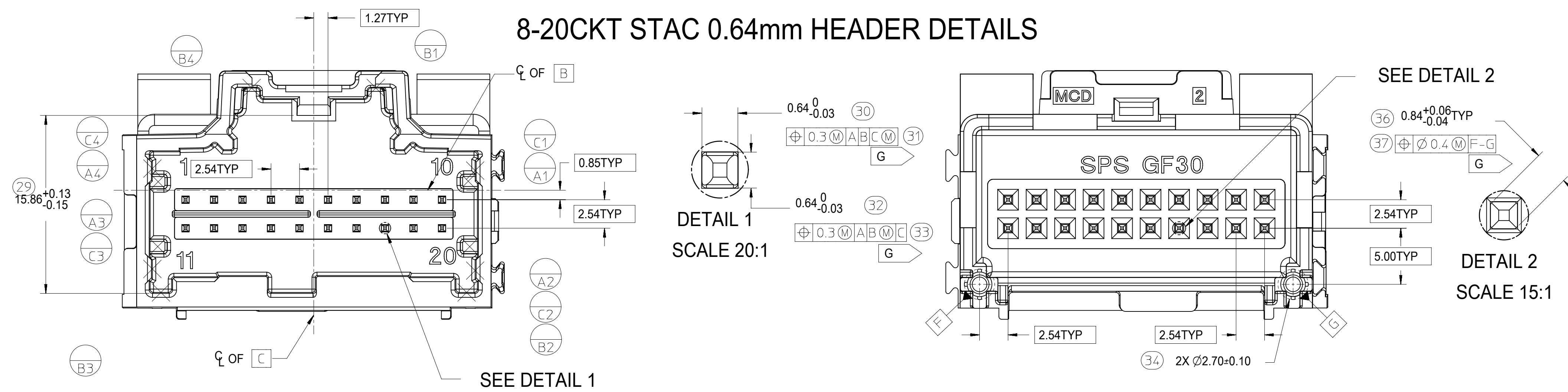
14 CKT HYBRID: SD-34772-200

SYMBOLS	THIS DRAWING CONTAINS INFORMATION THAT IS PROPRIETARY TO MOLEX ELECTRONIC TECHNOLOGIES, LLC AND SHOULD NOT BE USED WITHOUT WRITTEN PERMISSION		CURRENT REV DESC:		molex
	DIMENSION UNITS	SCALE			
▽ = 0	mm	4:1			2-BAY STAC64 VERTICAL HEADER ASSEMBLY SALES DRAWING
▽ = 0	GENERAL TOLERANCES (UNLESS SPECIFIED)				
▽ = 0	ANGULAR TOL ± 3.0°		EC NO: 612618		PRODUCT CUSTOMER DRAWING
▽ = 0	4 PLACES	±	DRWN: SHANDITHAVAL 2019/02/22		
▽ = 0	3 PLACES	±	CHK'D: RBAUMAN 2019/02/23		
▽ = 0	2 PLACES	± 0.13	APPR: RBAUMAN 2019/02/23		
▽ = 0	1 PLACE	± 0.25	INITIAL REVISION:		
▽ = 0	0 PLACES	±	DRWN: MBAILEY 2008/08/14		
▽ = 0	DRAFT WHERE APPLICABLE MUST REMAIN WITHIN DIMENSIONS		APPR: SMARCEAU 2008/08/14		
▽ = 0	THIRD ANGLE PROJECTION		DRAWING SERIES		DOCUMENT NUMBER
		D-SIZE 34707		SD-34707-200	
		MATERIAL NUMBER		CUSTOMER	
		SEE TABLE		GENERAL MARKET	
		SHEET NUMBER		1 OF 4	

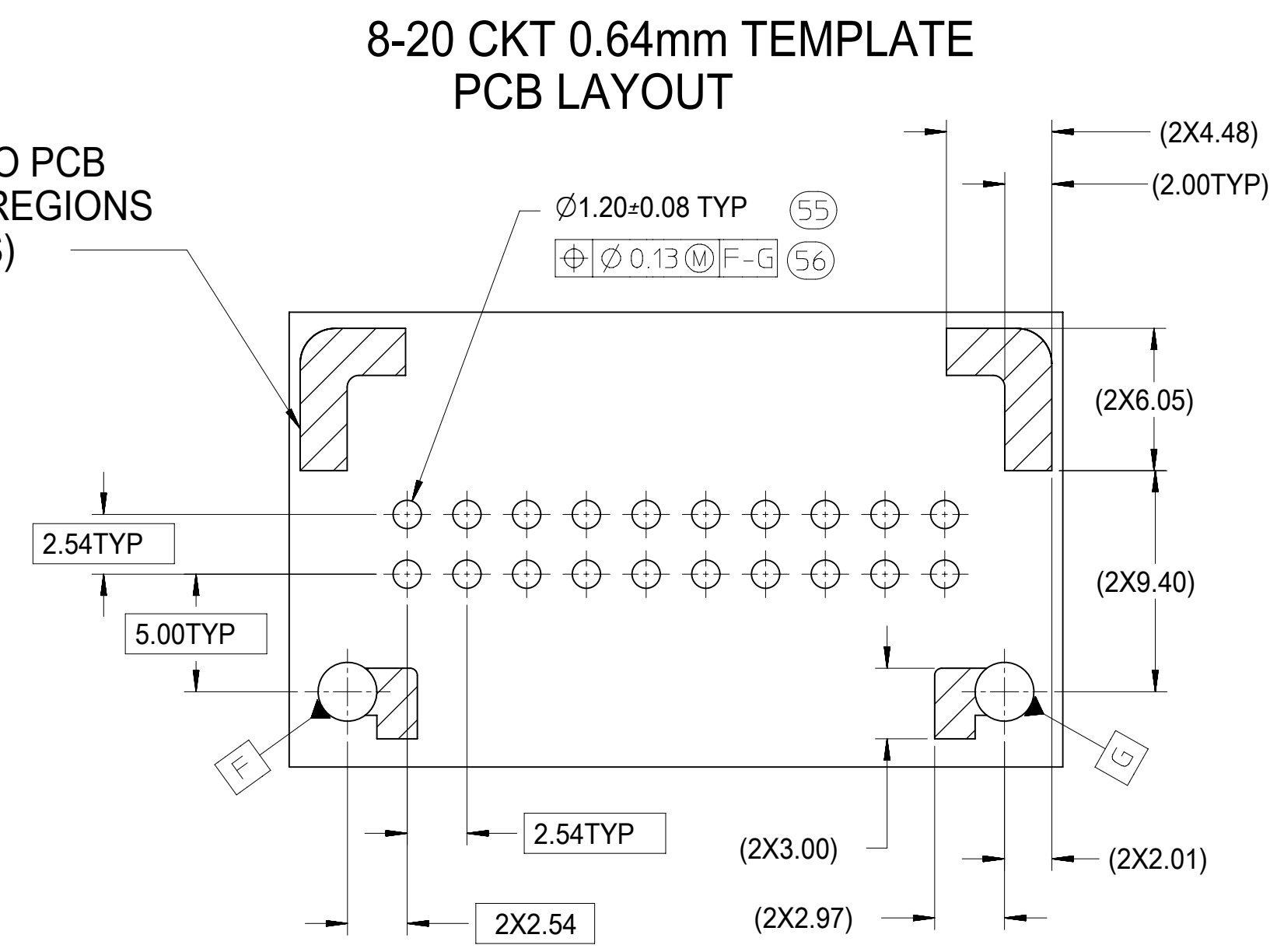
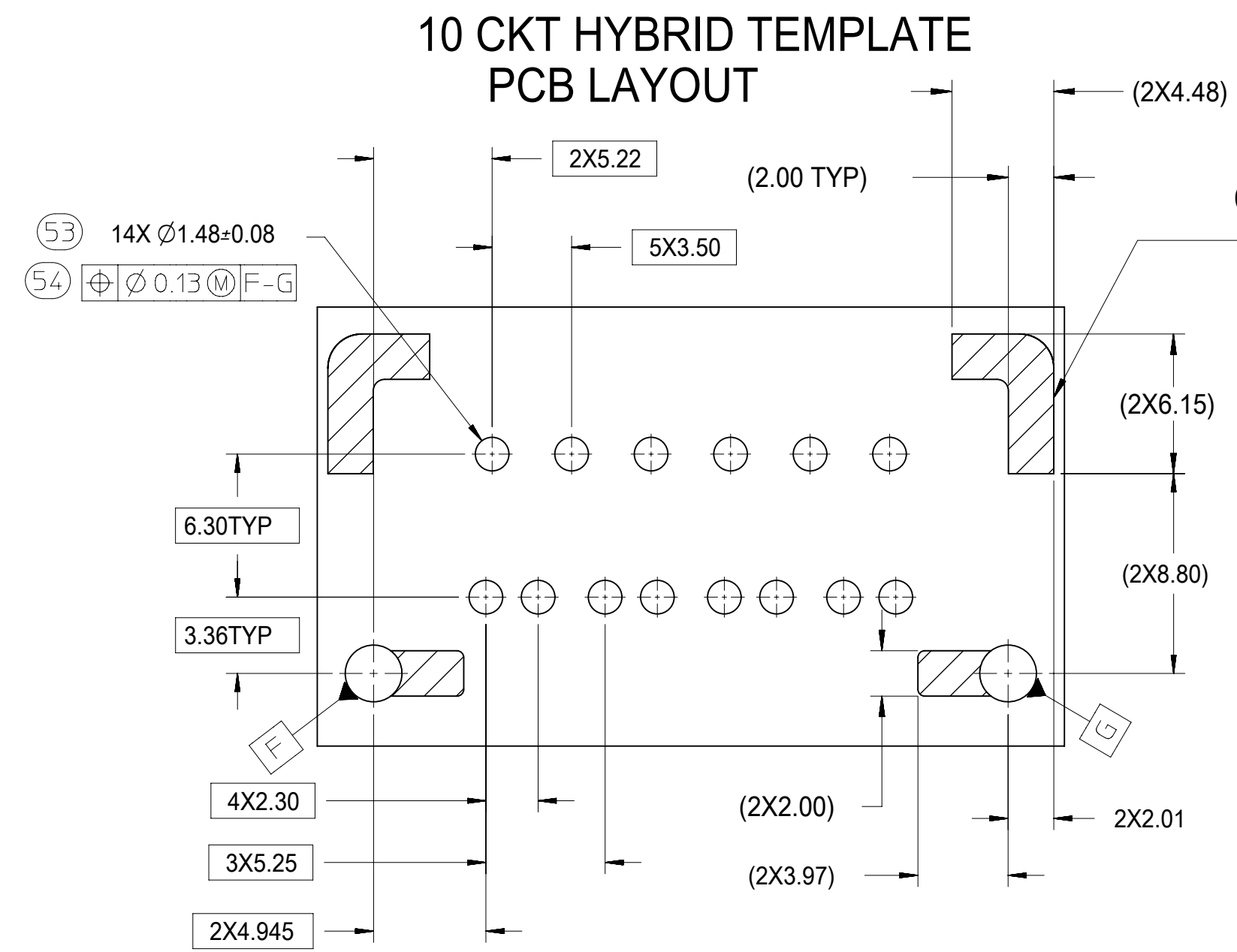
14CKT STAC HYBRID HEADER DETAILS



8-20CKT STAC 0.64mm HEADER DETAILS

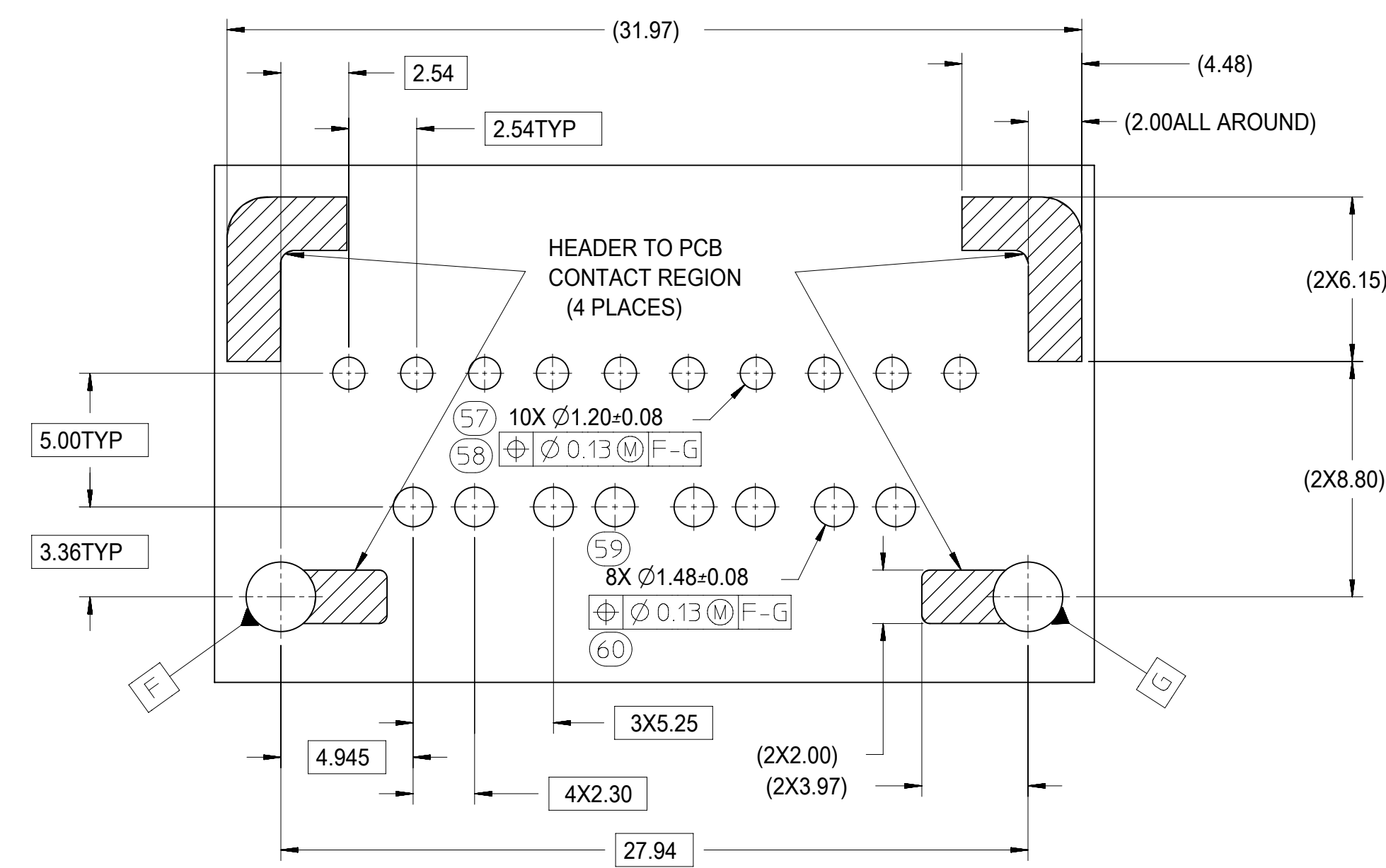


SYMBOLS	THIS DRAWING CONTAINS INFORMATION THAT IS PROPRIETARY TO MOLEX ELECTRONIC TECHNOLOGIES, LLC AND SHOULD NOT BE USED WITHOUT WRITTEN PERMISSION	
	DIMENSION UNITS	SCALE
▽ = 0	mm	4:1
▽ = 0	GENERAL TOLERANCES (UNLESS SPECIFIED)	
▽ = 0	ANGULAR TOL ± 3.0°	
▽ = 0	4 PLACES	±
▽ = 0	3 PLACES	±
▽ = 0	2 PLACES	± 0.13
▽ = 0	1 PLACE	± 0.25
▽ = 0	0 PLACES	±
■ = 0	DRAFT WHERE APPLICABLE MUST REMAIN WITHIN DIMENSIONS	
▽ = 0	THIRD ANGLE PROJECTION	DRAWING
▽ = 0		D-SIZE
CURRENT REV DESC:		SHEET NUMBER
EC NO: 612618		3 OF 4
DRWN: SHANDITHAVAL 2019/02/22		GENERAL MARKET
CHK'D: RBAUMAN 2019/02/23		SEE TABLE
APPR: RBAUMAN 2019/02/23		
INITIAL REVISION:		
DRWN: MBAILEY 2008/08/14		
APPR: SMARCEAU 2008/08/14		
SERIES		
34707		
MATERIAL NUMBER		
CUSTOMER		
DOCUMENT NUMBER		
SD-34707-200		
DOC TYPE		
PSD		
DOC PART		
001		
REVISION		
K7		



HEADER TO PCB CONTACT REGIONS (8 PLACES)

14 CKT HYBRID TEMPLATE PCB LAYOUT



SYMBOLS	THIS DRAWING CONTAINS INFORMATION THAT IS PROPRIETARY TO MOLEX ELECTRONIC TECHNOLOGIES, LLC AND SHOULD NOT BE USED WITHOUT WRITTEN PERMISSION		
	DIMENSION UNITS	SCALE	CURRENT REV DESC:
▽ = 0	mm	4:1	<p>molex</p> <p>2-BAY STAC64 VERTICAL HEADER ASSEMBLY SALES DRAWING</p> <p>PRODUCT CUSTOMER DRAWING</p> <p>DOCUMENT NUMBER: SD-34707-200 DOC TYPE: PSD DOC PART: 001 REVISION: K7</p> <p>MATERIAL NUMBER: SEE TABLE CUSTOMER: GENERAL MARKET SHEET NUMBER: 4 OF 4</p>
▽ = 0	GENERAL TOLERANCES (UNLESS SPECIFIED)		
▽ = 0	ANGULAR TOL ± 3.0°		
▽ = 0	4 PLACES ±		
▽ = 0	3 PLACES ±		
▽ = 0	2 PLACES ± 0.13		
▽ = 0	1 PLACE ± 0.25		
▽ = 0	0 PLACES ±		
▽ = 0	DRAFT WHERE APPLICABLE MUST REMAIN WITHIN DIMENSIONS		<p>EC NO: 612618</p> <p>DRWN: SHANDITHAVAL 2019/02/22</p> <p>CHK'D: RBAUMAN 2019/02/23</p> <p>APPR: RBAUMAN 2019/02/23</p> <p>INITIAL REVISION:</p> <p>DRWN: MBAILEY 2008/08/14</p> <p>APPR: SMARCEAU 2008/08/14</p>
▽ = 0	THIRD ANGLE PROJECTION	DRAWING	SERIES
▽ = 0		D-SIZE	34707