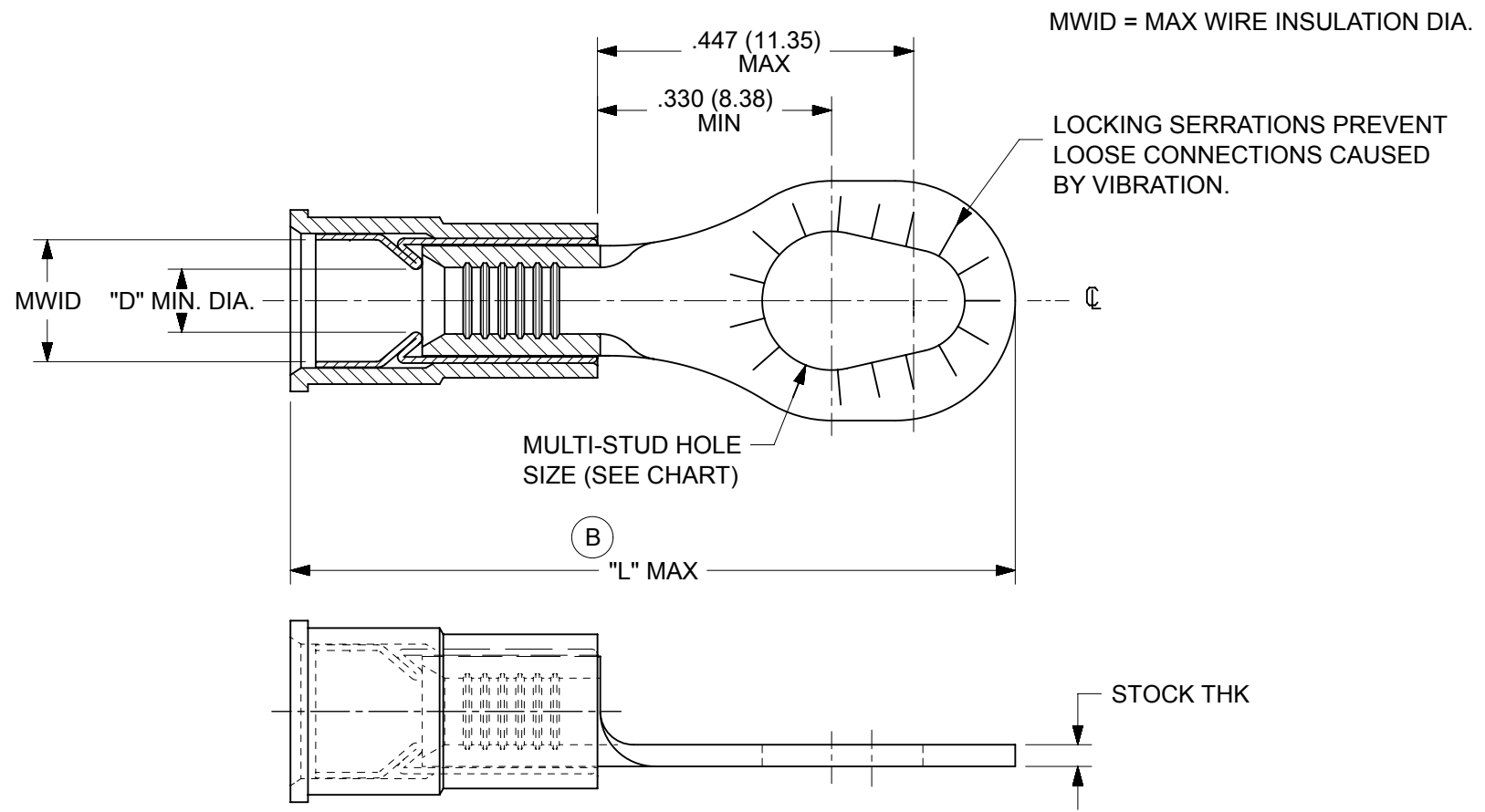


MATERIAL NO.	ENG NO.	TAPE MAT'L NO.	TAPE ENG NO.	WIRE RANGE AWG	INSUL. COLOR	"L" MAX	"W" MAX	"D" MIN	MWID	MULTI-STUD HOLE SIZE FOR EA. PART NO.	STOCK THK
190810003	B-5006-MS	190810004	B-5006-MST	16-14	BLUE	1.158 (29.41)	.362 (9.19)	.081 (2.06)	.170 (4.32)	06 (.146), 08 (.173), 10 (.198)	.031 (.79)
190810005	C-5006-MS	190810006	C-5006-MST	12-10	YELLOW	1.305 (33.15)	.410 (10.41)	.128 (3.25)	.225 (5.72)	06 (.146), 08 (.173), 10 (.198)	.040 (1.02)



- (B) NOTE:(S)
1. CONDUCTOR MAT'L: COPPER (PLATING:TIN)
 2. FUNNEL FERRULE: BRASS (PLATING: TIN)
 3. NYLON INSULATION: COLOR CODED (SEE CHART)
 4. PARTS ARE RoHS COMPLIANT.

THIS DRAWING CONTAINS INFORMATION THAT IS PROPRIETARY TO MOLEX ELECTRONIC TECHNOLOGIES, LLC AND SHOULD NOT BE USED WITHOUT WRITTEN PERMISSION

QUALITY SYMBOLS ▽ = 0 ▽ = 0 ▽ = 0 ▼ = 0 ▽ = 0 ▽ = 0 ⊠ = 0 ■ = 0 ▽ = 0	EC NO: 168469 DRWN: DMYRICK CHK'D: JMACNEIL REV APPR: JMACNEIL	2017/11/20 2017/11/27	GENERAL TOLERANCES (UNLESS SPECIFIED)		DIMENSION UNITS	SCALE	
			MM	INCH	INCH	4:1	
			4 PLACES ±	±	D.MYRICK	DATE	
			3 PLACES ±	± 0.005	2017/11/14		
2 PLACES ±	± 0.01	CHK'D BY	DATE				
1 PLACES ±	± 0.25	J.MACNEIL	2017/11/14				
0 PLACES ±	±	APPR BY	DATE				
		J.MACNEIL	2017/11/14				
ANGULAR TOL ± 0.5		DRAWING SIZE	THIRD ANGLE PROJECTION	SERIES	MATERIAL NUMBER	CUSTOMER	
DRAFT WHERE APPLICABLE MUST REMAIN WITHIN DIMENSIONS		A		19081	190810003	GENERAL MARKET	
				DOCUMENT NUMBER	DOC TYPE	DOC PART	SHEET NUMBER
				190810020	PSD	000	1 OF 1