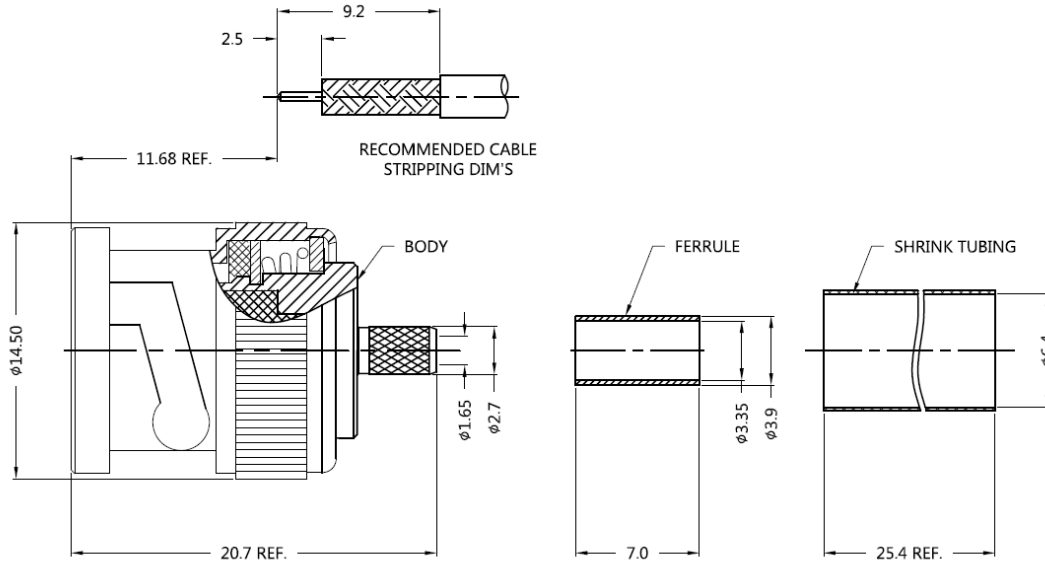


**NOTICE OF PROPRIETARY RIGHTS** THIS DOCUMENT CONTAINS CONFIDENTIAL TECHNICAL DATA, INCLUDING TRADE SECRETS, PROPRIETARY TO TIMES MICROWAVE SYSTEMS. DISCLOSURE OF THIS DATA IS EXPRESSLY CONDITIONED UPON YOUR ASSENT THAT ITS USE IS LIMITED TO USE WITHIN YOUR COMPANY ONLY. ANY OTHER USE IS STRICTLY PROHIBITED WITHOUT THE PRIOR WRITTEN CONSENT OF TIMES MICROWAVE SYSTEMS.

SYM	REVISION DESCRIPTION	DFTM	DATE	APPD	DATE
-	RELEASED FOR PRODUCTION	J. C. L.	2/1/07	J. C. L.	2/1/07
A	CHANGED PER CDC #44751	N. N. N.	6/22/16	J. D. B.	6/27/16

ALL PARTS SATISFIED ROHS REQUIREMENTS



1. SOLDER CENTER CONTACT
2. CRIMP OUTER CONDUCTOR WITH .130" HEX.

(MATERIALS AND PLATING)		UNIT: MICRO-INCHES	(ELECTRICAL CHARACTERISTICS)	
BODY	BRASS C3604	NICKEL 100u"/COPPER	(Impedance)	50 Ω
CONTACT PIN	PHOSPHOR BRONZE	GOLD 15u"MIN/NICKEL/COPPER	(Voltage rating)	500V(rms)
INSULATOR	PTFE ASTM-D-1710	N/A	(Frequency range)	0 ~ 4GHz
FERRULE	BRASS	NICKEL 100u"/COPPER	(Dielectric withstanding voltage)	>1500 V
			(Contact resistance)	(Center contact) <2.5mΩ
			(Outer contact)	<1.0mΩ
			(Insulation resistance)	>5000MΩ
			(Insertion loss)	N/A
			(RF- leakage)	N/A
			(VSWR)	<1.35
			(3rd Intermodulation)	N/A
(MECHANICAL CHARACTERISTICS)			(ENVIRONMENTAL CHARACTERISTICS)	
(Force to engage and disengage)		N/A	(Temperature range)	-65°C~+165°C
Center contact retention force		≥6 lbs	Thermal shock	US MIL- STD 202, Meth. 107, Cond. B
(Coupling proof torque)		N/A	Vibration	US MIL- STD 202, Meth. 204, Cond. B
(Coupling nut retention force)		≥100 lbs	Shock	US MIL- STD 202, Meth. 213, Cond. B
(Durability)		≥ 500 cycles		

MATL:	UNLESS OTHERWISE SPECIFIED	DFTM. J. C. L.	TIMES MICROWAVE SYSTEMS	
USED ON: A	ALL DIMENSIONS ARE IN mm MACHINED SURFACES FINISH 32 RMS MAX. REMOVE ALL BURRS .005 MAX. BREAK MACHINE CORNERS .005 MAX. FILLET R. TOLERANCES ON DECIMALS . XX ± .03 . XXX ± .005 ANGLES ± 3° FRACTIONS ± 1/32	DATE 2/1/07		
SCALE: N/A	DWG. SIZE A	DO NOT SCALE DRAWING	CHKD. J. C. L.	SZ-100-BM BNC Male FOR LMR-100 CABLE
	DO NOT SCALE DRAWING	CODE IDENT 68999	DATE 2/1/07	
			APPD. J. C. L.	1 of 1
			DATE 2/1/07	SD3190-2243
				REV A