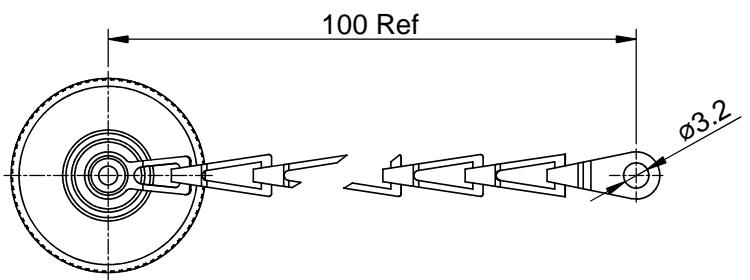
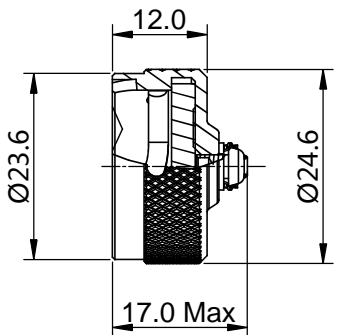


REVISIONS					
REV	ECO	DESCRIPTION	DATE	BY	APPR
B1	-	RELEASED DRAWING	JUN-23-2014	BEN	TOMMY



RT012DC X X
① ②

P/N	①	②	CHAIN	PLATING
RT012DC	---	---	NO CHAIN	NICKEL PLTING
RT012DCA	---	A	NO CHAIN	BLACK ANODIZING
RT012DCG	G	---	CHAIN	NICKEL PLTING
RT012DCGA	G	A	CHAIN	BLACK ANODIZING

NOTES : (UNLESS OTHERWISE SPECIFIED)

1. MATERIAL :
 RIVET : COPPER ALLOY,NICKEL PLATING
 CHAIN : STAINLESS STEEL.
 DUST CAP : AL ALLOY , NICKEL PLATED.
 O-RING : NBR.
2. SPECIFICATIONS :
 - 2.1 OPERATING TEMPERATURE : -40°C ~ +105°C.
 - 2.2 IP--CLASS : IP67.
 - 2.3 MATING CYCLES DURABILITY : 500 CYCLES MIN.
 - 2.4 ROHS COMPLIANT.
3. ALL DIMENSIONS ARE FOR REFERENCE USE ONLY.

SEE PART NUMBER CHART			
QUANTITY	PART NUMBER	DESCRIPTION	
MATERIALS LIST			
UNLESS OTHERWISE SPECIFIED 1) All dimensions are in metric(mm). 2) Tolerances are as follows: 1 PL DEC ±0.30 Fractions ±1/64 2 PL DEC ±0.15 Angles ±1° 3 PL DEC ±0.08 3) Note reference =		SIGNATURES DATE DRAWN: BEN JUN-23-2014 CHECKED: ENGINEER: APPROVAL:	
MATERIAL SPECIFICATIONS:		<div style="text-align: center;"> <h2>Amphenol</h2> <p>Sine Systems - www.amphenol-sine.com 44724 Morley Drive Clinton Township, MI 48036</p> </div>	
PROCESS SPECIFICATIONS:			
NEXT ASSY:		CUSTOMER: THIS DRAWING IS SUPPLIED FOR INFORMATION ONLY. DESIGN FEATURES, SPECIFICATIONS AND PERFORMANCE DATA SHOWN HEREON ARE THE PROPERTY OF THE AMPHENOL CORPORATION. NO RIGHTS OF REPRODUCTION ARE IMPLIED. ALL DIMENSIONS ARE SUBJECT TO NORMAL MANUFACTURING VARIATIONS.	SIZE: B C- TYPE: NONE DWG NO: RT012DCxx REVISION: B1
		SHEET 1 OF 1	

TITLE: ECO-MATE,DUSTCAP FOR RECEPTACLES SIZE 12 DWG NO: RT012DCXX REV: B1 SH: 1 OF: 1